

AC-242A

•24 Charsx2 Line 1/16 Duty

FEATURE

- 1.Construction : STN LCD panel, Bezel, Zebra and PCB
- 2.Optional LED or EL back-light.
- 3.Controller : KS0066U or Equivalent.
- 4.5V or 3.3V single power input. Built-in DC/DC converter while using 3.3V power input.
- 5.Normal / Extended temperature type.

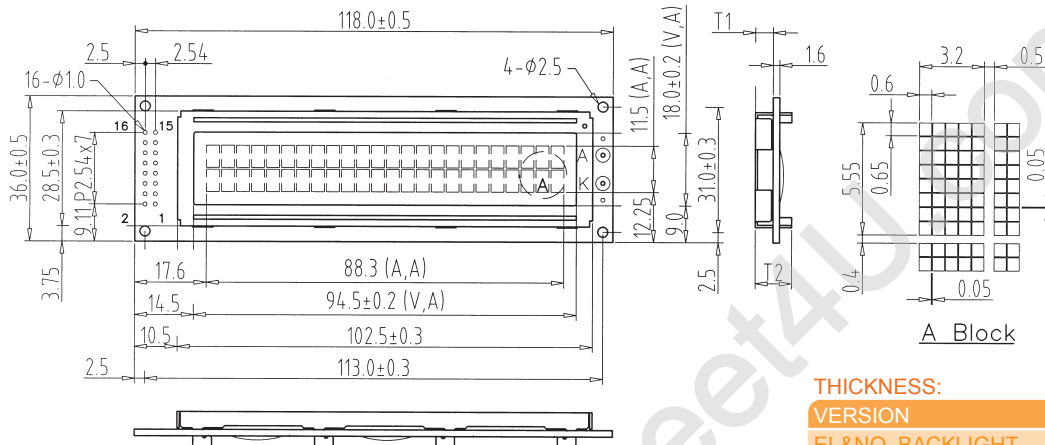
液晶之友 电话: 020-33819057
[Http://www.lcdfriends.com](http://www.lcdfriends.com)

ELECTRICAL CHARACTERISTICS

Item	Sym.	Condition	Typ.Value	Unit.
LCD Driving Voltage	VDD-V0	25°C	5.0	V
Supply Current	IDD	VDD=5.0V	1.2	mA

INTERFACE

1	2	3	4	5	6	7	8	9	10	11	12	13	14	15	16
VSS	VDD	V0	RS	R/W	E	DB0	DB1	DB2	DB3	DB4	DB5	DB6	DB7	A/EL1	K/EL2



THICKNESS:

VERSION	T1	T2
EL&NO BACKLIGHT	4.4 ± 0.3	9.5Max
LED BACK LIGHT	9.6 ± 0.3	14.7Max

AC-242C

•24 Charsx2 Line 1/16 Duty

FEATURE

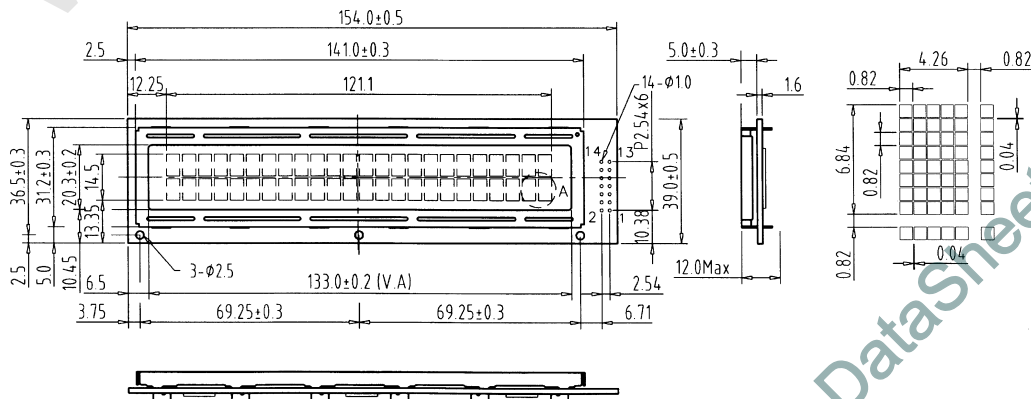
- 1.Construction : STN LCD panel, Bezel, Zebra and PCB.
- 2.Controller : KS0066U or Equivalent.
- 3.5V single power input.
- 4.Normal temperature type.

ELECTRICAL CHARACTERISTICS

Parameter	Sym.	Condition	Typ.Value	Unit.
LCD Driving Voltage	VDD-V0	25°C	4.2	V
Supply Current	IDD	VDD=5V	1.3	mA

INTERFACE

1	2	3	4	5	6	7	8	9	10	11	12	13	14
VSS	VDD	V0	RS	R/W	E	DB0	DB1	DB2	DB3	DB4	DB5	DB6	DB7



AC-202A
AC-204A
AC-202C
AC-204B