

Features

- Industry-proven, high performance 64-bit VMEbus interconnect
- Fully compliant, 32-bit or 64-bit, 33 MHz PCI bus interconnect
- Integral FIFOs for write posting to maximize bandwidth utilization
- Programmable DMA controller with Linked-List mode
- Flexible interrupt logic
- Sustained transfer rates up to 60-70 Mbytes/s

The Universe II is the industry standard PCI bus-to-VMEbus bridge.

- Extensive suite of VMEbus address and data transfer modes
- Automatic initialization for slave-only applications
- Flexible register set, programmable from both the PCI bus and VMEbus ports
- Full VMEbus system controller
- Support for RMWs, ADOH, PCI LOCK cycles, and semaphores
- Commercial, industrial, and extended temperature variants
- IEEE 1149.1 JTAG
- Available packages:
 - 25mm x 25mm, 361-contact dimpled ceramic BGA (DBGA)
 - 35mm x 35mm, 313-contact plastic BGA (PBGA)

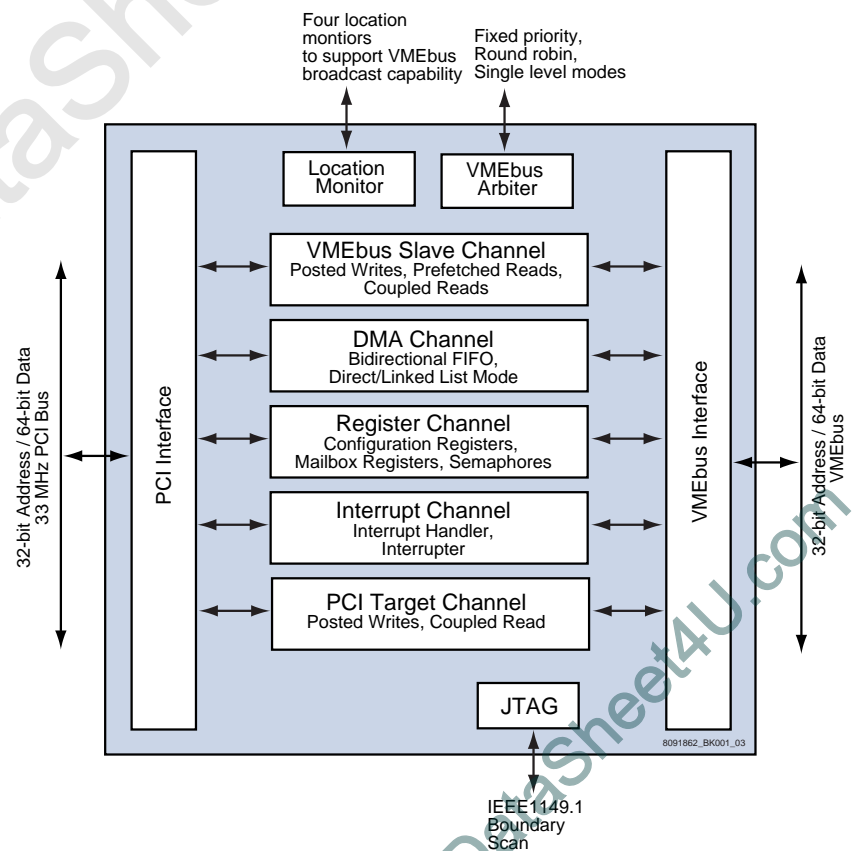
The Universe II Advantage

The Tundra Universe II is the industry's leading high performance PCI-to-VMEbus interconnect. Universe II is fully compliant with the VME64 bus standard, and is tailored to support the next-generation of advanced PCI processors and peripherals. With a zero wait state implementation for write transactions, and the capability to support prefetch reads and multi-beat transactions, the Universe II provides high performance on the PCI bus.

The Universe II eases development of VMEbus systems by providing direct connection to a local PCI bus. The device is ideally suited for CPU or peripheral boards functioning as both master and slave in the VMEbus system. Bridging is accomplished through a decoupled architecture with independent FIFOs for inbound, outbound, and DMA traffic. With this architecture, throughput is maximized without sacrificing bandwidth on either bus.

With the Universe II, you know that as your system becomes more complex, you have proven silicon that continues to provide everything you need in a PCI-to-VME bridge.

Figure 1: Universe II Block Diagram



Benefits

- Conserves board space with 25mm x 25mm, 361-contact dimpled ceramic BGA (DBGA)
- Industry proven design
- Reliable customer support with experience in hundreds of customer designs

Tundra Semiconductor is the world leader in VME Interconnect technology.

Typical Applications

The Universe II eases the development of VME Single Board Computers (SBCs) and I/O peripheral boards which target the following market segments:

- Telecommunications
- Industrial Automation
- Medical
- Military
- Aerospace

Contact Information

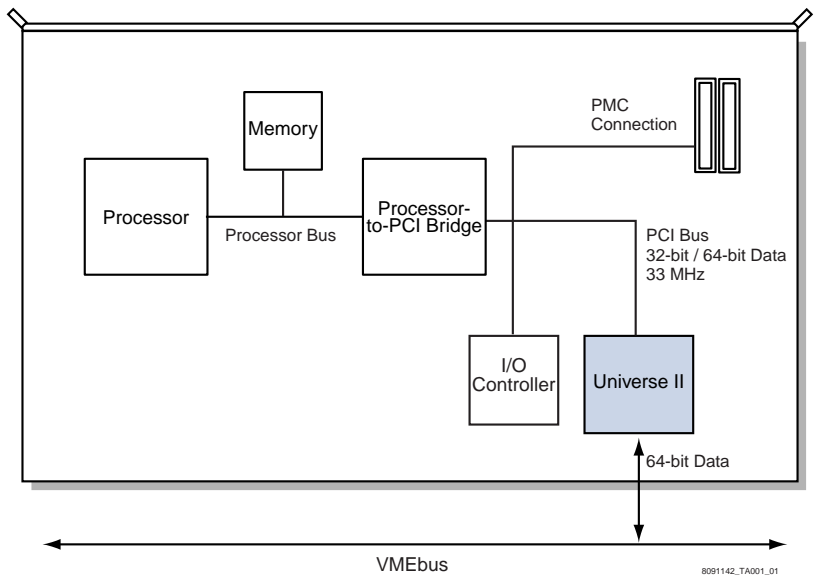
Tundra Semiconductor Corporation
 603 March Road, Ottawa
 Ontario Canada, K2K 2M5
 (613) 592-0714 or 1-800-267-7231
 Fax: (613) 592-1320
 Visit our website at www.tundra.com

Typical Application: Single Board Computers

The Universe II is widely used on VME-based Single Board Computers (SBC) that employ PCI as their local bus and VME as the backplane bus, as shown in the accompanying diagram. These SBC cards support a variety of applications including telecom, datacom, medical, industrial, and military equipment.

The Universe II high performance architecture seamlessly bridges the PCI and VME busses, and is the VME industry's standard for single board computer interconnect device.

Figure 2: Universe II In Single Board Computer Application



Design Support Tools

Tundra understands your design challenges and works to help you overcome them. We are committed to making our products easy to use. A suite of Tundra Design Support Tools helps reduce your development time, risk, and cost. Tools include comprehensive device documentation, application notes, IBIS model, and BSDL files. Most are available through our website. We also provide an experienced technical applications engineering team. All help you evaluate our products, and assist in the development of your designs.