

FEATURES AND SPECIFICATIONS

Features and Benefits

- Sizes 7 to 30 circuits
- For 0.30mm thick FFC/FPC
- Metal strain relief tabs
- Available in reel form only

Reference Information

Packaging: Embossed tape
Designed In: Millimeters

Electrical

Voltage: 50V
Current: 0.5A
Contact Resistance: 20mΩ max.
Dielectric Withstanding Voltage: 500V AC/1 min.
Insulation Resistance: 100 MΩ min.

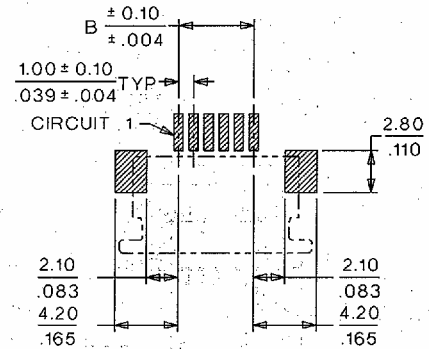
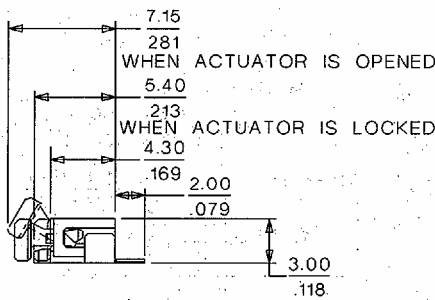
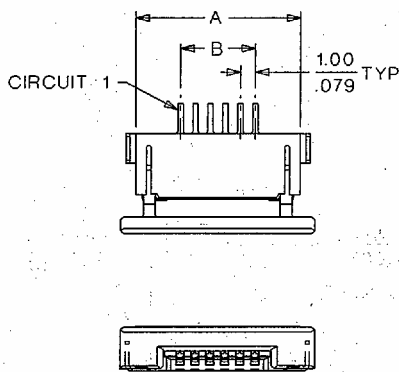
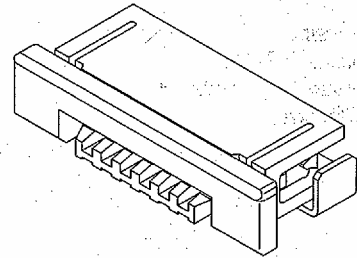
Physical

Housing: 4/6 nylon, UL 94V-0
Actuator: PPS, UL 94V-0
Contact: Phosphor Bronze
Plating: Tin
Temperature: -20 to +85°C

molex® 1.00mm (.039") Pitch FFC/FPC Connector

52271

Right Angle, SMT, ZIF Bottom Contact Style



PCB LAYOUT: SOLDER SIDE

ORDERING INFORMATION AND DIMENSIONS

Circuits	Order No.	Dimension		Carrier Tape Width
		A	B	
7	52271-0790	12.00 (.472)	6.00 (.236)	24.00 (.945)
8	52271-0890	13.00 (.511)	7.00 (.275)	24.00 (.945)
9	52271-0990	14.00 (.551)	8.00 (.314)	24.00 (.945)
10	52271-1090	15.00 (.590)	9.00 (.354)	24.00 (.945)
11	52271-1190	16.00 (.629)	10.00 (.393)	24.00 (.945)
12	52271-1290	17.00 (.669)	11.00 (.433)	32.00 (1.260)
13	52271-1390	18.00 (.708)	12.00 (.472)	32.00 (1.260)
14	52271-1490	19.00 (.748)	13.00 (.511)	32.00 (1.260)
15	52271-1590	20.00 (.787)	14.00 (.551)	32.00 (1.260)
16	52271-1690	21.00 (.826)	15.00 (.590)	32.00 (1.260)
17	52271-1790	22.00 (.866)	16.00 (.629)	44.00 (1.732)

Circuits	Order No.	Dimension		Carrier Tape Width
		A	B	
18	52271-1890	23.00 (.905)	17.00 (.669)	44.00 (1.732)
19	52271-1990	24.00 (.944)	18.00 (.708)	44.00 (1.732)
20	52271-2090	25.00 (.984)	19.00 (.748)	44.00 (1.732)
22	52271-2290	27.00 (1.062)	20.00 (.787)	44.00 (1.732)
23	52271-2390	28.00 (1.102)	21.00 (.826)	44.00 (1.732)
24	52271-2490	29.00 (1.141)	22.00 (.866)	44.00 (1.732)
25	52271-2590	30.00 (1.181)	23.00 (.905)	44.00 (1.732)
26	52271-2690	31.00 (1.220)	24.00 (.944)	44.00 (1.732)
27	52271-2790	32.00 (1.259)	25.00 (.984)	44.00 (1.732)
28	52271-2890	33.00 (1.299)	26.00 (1.062)	56.00 (2.205)
30	52271-3090	35.00 (1.377)	27.00 (1.102)	56.00 (2.205)

