

## Heatsink

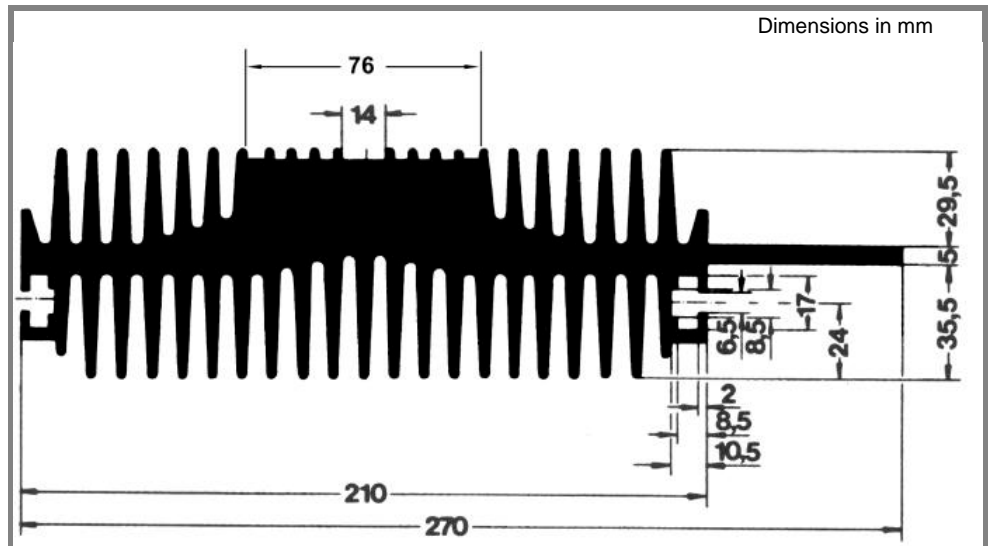
For capsule devices

P 19

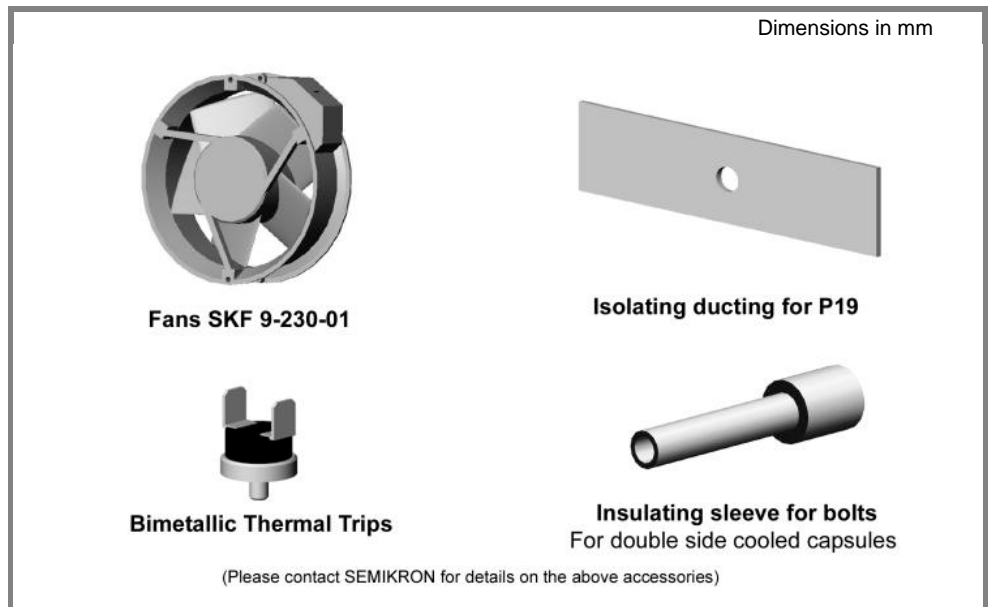
### Features

- Intended for double-sided cooling of capsule devices with diameters upto 73mm
- Designed for forced air cooling
- Available as pre-assembled modules containing one or two capsules mounted in a plastic frame
- Available in various lengths

Standard lengths	n	b / d Ø mm	R <sub>thca</sub> natural cooling K/W	R <sub>thca</sub> V <sub>air</sub> /t = 500 m <sup>3</sup> /h K/W	w kg
2 x P19/190		33 ± 2	0,273 (300W)	0,08	7,44
		48 ± 2	0,239 (300W)	0,07	
P19/190 + 2 x P19/90		33 ± 2		0,112	7
		48 ± 2		0,1	

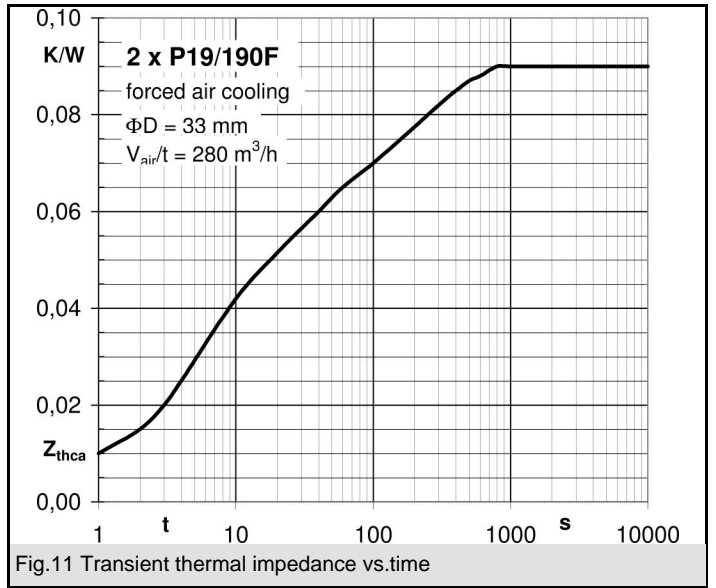
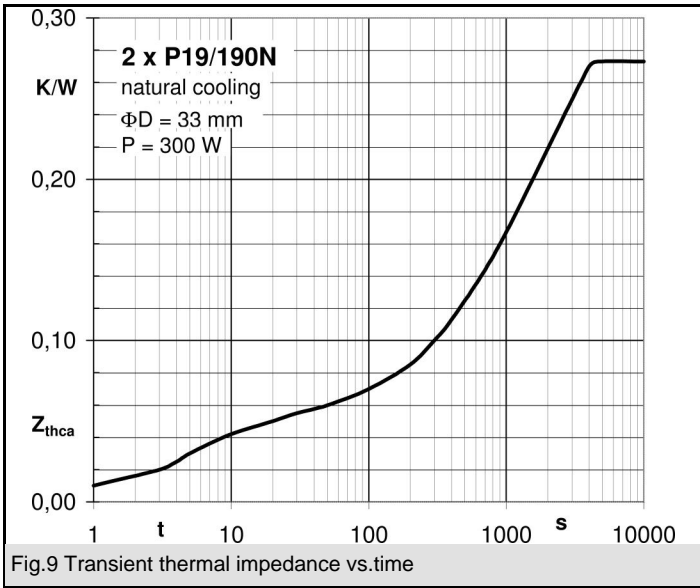


P 19 general profile dimensions (w = 20,0 kg/m)

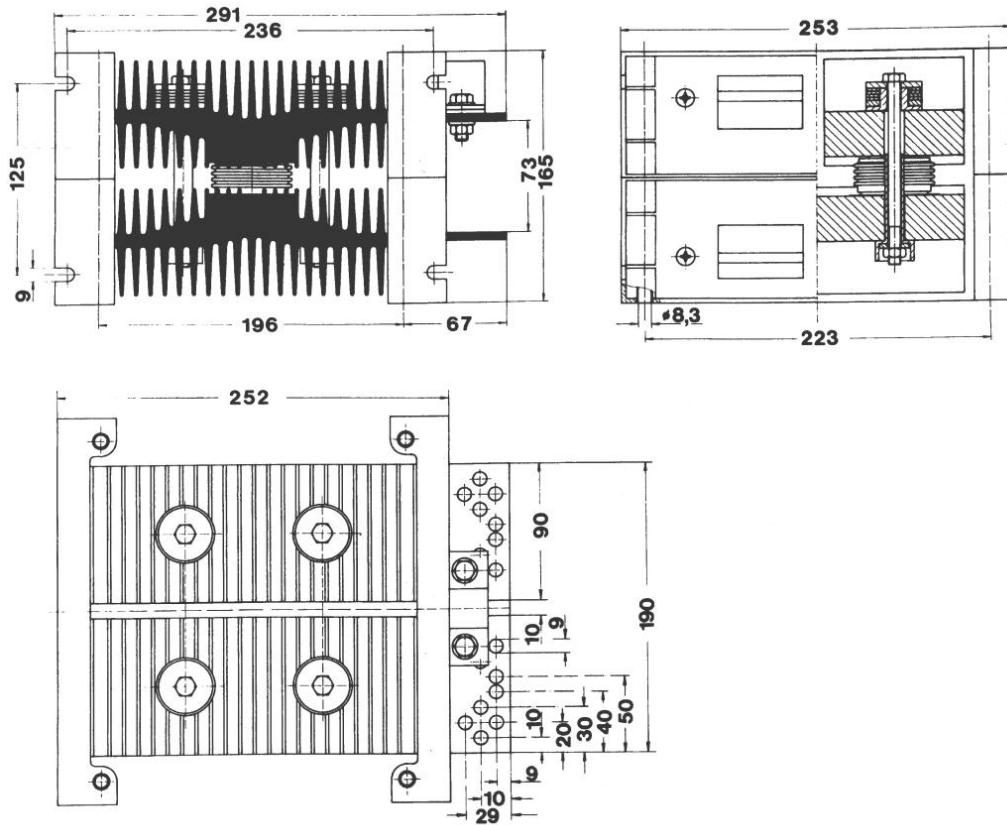


P 19 standard accessories

(Please contact SEMIKRON for details on the above accessories)

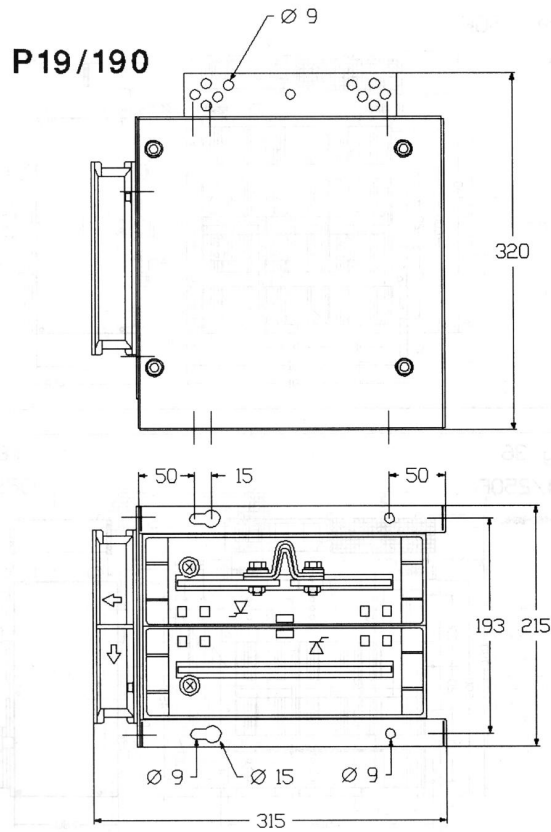


Dimensions in mm



1.Example of a setup with 2 capsules and heatsink P19/190 + 2x P19/90

Dimensions in mm



2.Application example using P19/190 to give a single phase AC controller