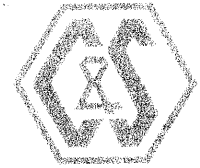
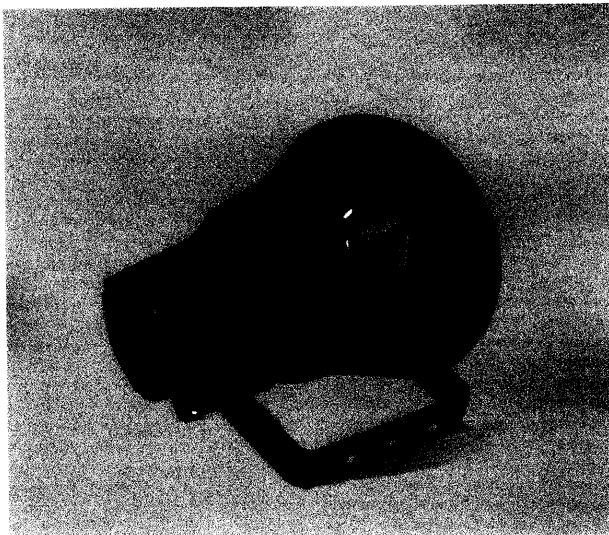




# Clifford & Snell



## Explosion Proof Sounder YO7D

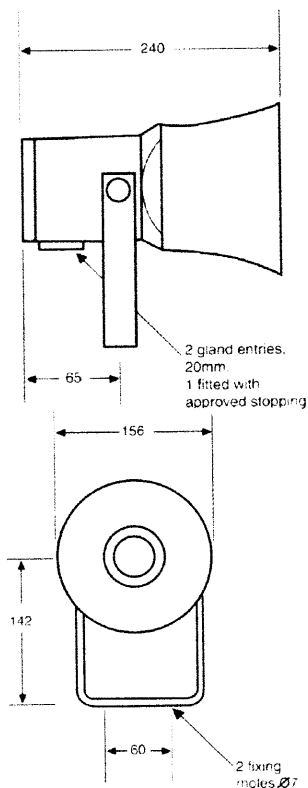


YO7D

### Main Features

- High sound output
- 2 stage alarm
- 32 selectable tones meeting international regulations
- Independently selectable 2<sup>nd</sup> stage
- Rugged construction
- Compact one piece design
- Dual cable entry
- Complies with BS5839 pt1: 1980
- Meets PFEER & UKOOA
- Built in monitoring facility
- LM6 aluminium enclosure
- Weather resistant powder coat red finish
- Two 20 mm gland entries one fitted with approved stopping plug
- Adjustable ratchet bracket providing positive setting
- BASEEFA Approved
- Sound selection via DIL switch

### Dimensions (mm)



All dimensions quoted are approximate only and subject to change without notice as are technical features resulting from continual development and improvement

### Technical Specification

- IP 67 Rated
- Weight 3.2Kg
- Sound output 110dB (A) @ 1 metre
- Relative Humidity 95% @ 40deg C
- Operating Temp -25 deg C to +55 deg C
- Operating Voltage 24Vdc, 115Vac and 230Vac
- Suitable for zones 1,2 Gas groups B,C,D
- Ex d IIB T6, Ex d IIB + H<sub>2</sub> T6
- Current consumption
 

24Vdc	300mA
115Vac	84mA
230Vac	42mA



# Explosion Proof Sounder

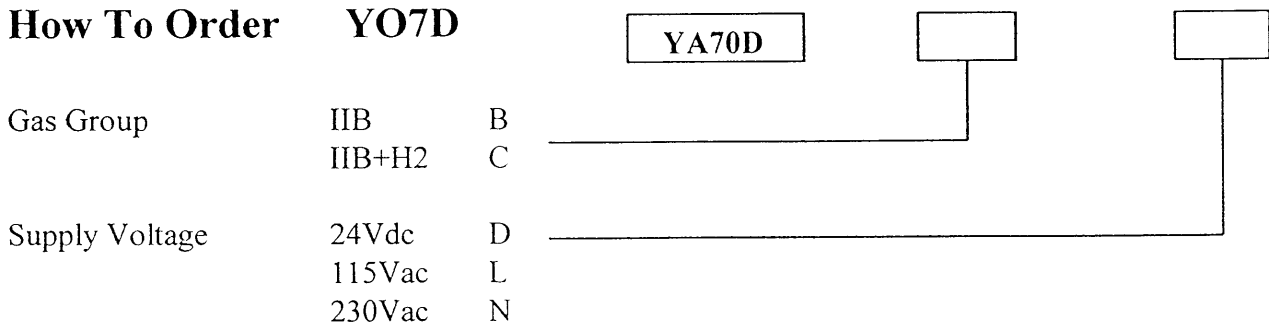
## YO7D

### Tone Table

First Stage Signal	Freq.	Sound switches	Rep Rate (sec.)	Special application
		1 2 3 4 5		
1 Alternate two-tone	800-1000	1 1 1 1 1	0.5	Fire alarms
2 Alternate two-tone	2500-3100	1 1 1 1 0	0.5	Security alarms
3 Alternate fast two-tone	800-1000	1 1 1 0 1	0.25	Increased urgency
4 Alternate fast wo-tone	2500-3100	1 1 1 0 0	0.25	Security deterrent
5 Alternate two-tone	440-554	1 1 0 1 1	0.4/0.1	AFNOR, FRANCE
6 Alternate two-tone	430-470	1 1 0 1 0	1.0	
7 Alternate v.fast two-tone	800-1000	1 1 0 0 1	0.13	
8 Alternate v.fast two-tone	2500-3200	1 1 0 0 0	0.07	
9 Alternate two-tone	440-554	1 0 1 1 1	2.0	Turn-out, SWEDEN
10 Continuous note	700	1 0 1 1 0	-	All-clear, SWEDEN
11 Continuous note	1000	1 0 1 0 1	-	
12 Continuous note	1000	1 0 1 0 0	-	
13 Continuous note	2300	1 0 0 1 1	-	
14 Continuous note	440	1 0 0 1 0	-	
15 Interrupted tone	1000	1 0 0 0 1	2.0	
16 Interrupted tone	420	1 0 0 0 0	1.25	AS2220, AUSTRALIA
17 Interrupted tone	1000	0 1 1 1 1	0.5	
18 Interrupted tone	2500	0 1 1 1 0	0.25	
19 Interrupted tone	2500	0 1 1 0 1	0.5	
20 Interrupted tone	700	0 1 1 0 0	6/12	Pre-vitalmessage SWEDEN
21 Interrupted tone	1000	0 1 0 1 1	1.0	Local warning, SWEDEN
22 Interrupted tone	700	0 1 0 1 0	4.0	Industrial alarm, GERMANY
23 Interrupted tone	700	0 1 0 0 1	0.25	
24 Interrupted tone	720	0 1 0 0 0	0.7/0.3	
25 Int,fast, rising volume	1400	0 0 1 1 1	0.25	
26 Fast siren	250-1200	0 0 1 1 0	0.085	
27 Rising constant, fall	1000	0 0 1 0 1	10/40/10	Industrial alarm, GERMANY
28 ISO 8201 Evacuation	800-1000	0 0 1 0 0	As std	Int'l evacuation alarm
29 Fast whoop	500-1000	0 0 0 1 1	0.15	
30 Slow whoop	500- 1200	0 0 0 1 0	4.5	Evacuation, The Netherlands
31 Reverse sweep	1200-500	0 0 0 0 1	1.0	Evacuation, GERMANY
32 Siren	500-1200	0 0 0 0 0	3.0	

For alarm type YO7D, the chosen sound signal is selected via a DIL switch. The appropriate switch positions are given in the instructions. Any sound signal may be selected for a second stage alarm independently of the choice of the first signal.

#### How To Order YO7D



### Clifford & Snell



A Division of Signature Industries

Tom Cribb Road, Thamesmead,  
London SE28 0BH

Tele: 44 (0) 208 3171717

Fax: 44 (0) 208 3172400

Web Site: [www.signatureindustries.com](http://www.signatureindustries.com)

Email: [cliffordandsnell@aol.com](mailto:cliffordandsnell@aol.com)