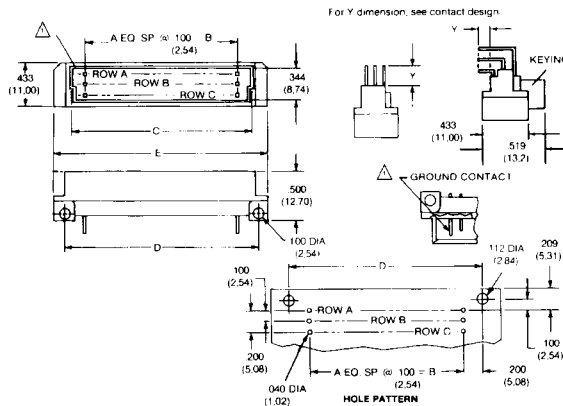


DIN 41612 Connectors

Series 8457 – Male Style C - 3 Rows (3 x 32) - .100 Pitch

Dimensions



Inches (mm)

No. Contact Positions	Contact Rows	A	B	C	D	E
096	3 (3 x 32)	31	3.100 (78.74)	3.358 (85.29)	3.500 (88.90)	3.697 (93.90)

Contact Design and Termination Length	Number of Positions	Loading Description	Part Number Performance classes according to DIN 41612		
			III	II	I
3.4 mm (Y) Straight	96	a + b + c fully loaded	10 8457 096 001 001	10 8457 096 001 025	10 8457 096 001 049
	64	a + c fully loaded	10 8457 096 001 002	10 8457 096 001 026	10 8457 096 001 050
	32	a + c even loading	10 8457 096 001 009	10 8457 096 001 033	10 8457 096 001 057
	32	a loading only	10 8457 096 001 003	10 8457 096 001 027	10 8457 096 001 051
	94 + 2	fully loaded + ground	10 8457 096 101 001	10 8457 096 101 025	10 8457 096 101 049
3.0 mm (Y) Right Angled	96	a + b + c fully loaded	10 8457 096 002 001	10 8457 096 002 025	10 8457 096 002 049
	64	a + c fully loaded	10 8457 096 002 002	10 8457 096 002 026	10 8457 096 002 050
	32	a + c even loading	10 8457 096 002 009	10 8457 096 002 033	10 8457 096 002 057
	32	a loading only	10 8457 096 002 003	10 8457 096 002 027	10 8457 096 002 051
	94 + 2	fully loaded + ground	10 8457 096 102 001	10 8457 096 102 025	10 8457 096 102 049
13.0 mm (Y) Straight	96	a + b + c fully loaded	10 8457 096 003 001	10 8457 096 003 025	10 8457 096 003 049
	64	a + c fully loaded	10 8457 096 003 002	10 8457 096 003 026	10 8457 096 003 050
	32	a + c even loading	10 8457 096 003 009	10 8457 096 003 033	10 8457 096 003 057
	32	a loading only	10 8457 096 003 003	10 8457 096 003 027	10 8457 096 003 051
11.3mm (Y) Right Angled	96	a + b + c fully loaded	10 8457 096 004 001	10 8457 096 004 025	10 8457 096 004 049
	64	a + c fully loaded	10 8457 096 004 002	10 8457 096 004 026	10 8457 096 004 050
	32	a + c even loading	10 8457 096 004 009	10 8457 096 004 033	10 8457 096 004 057
	32	a loading only	10 8457 096 004 003	10 8457 096 004 027	10 8457 096 004 051
7.7 mm (Y) Solder Hole	96	a + b + c fully loaded	10 8457 096 006 001	10 8457 096 006 025	10 8457 096 006 049
	64	a + c fully loaded	10 8457 096 006 002	10 8457 096 006 026	10 8457 096 006 050
	32	a + c even loading	10 8457 096 006 009	10 8457 096 006 033	10 8457 096 006 057
	32	a loading only	10 8457 096 006 003	10 8457 096 006 027	10 8457 096 006 051
6.4 mm (Y) Solder Loop	96	a + b + c fully loaded	10 8457 096 007 001	10 8457 096 007 025	10 8457 096 007 049
	64	a + c fully loaded	10 8457 096 007 002	10 8457 096 007 026	10 8457 096 007 050
	32	a + c even loading	10 8457 096 007 009	10 8457 096 007 033	10 8457 096 007 057
	32	a loading only	10 8457 096 007 003	10 8457 096 007 027	10 8457 096 007 051
2.3 mm (Y) Right Angled	96	a + b + c fully loaded	10 8457 096 008 001	10 8457 096 008 025	10 8457 096 008 049
	64	a + c fully loaded	10 8457 096 008 002	10 8457 096 008 026	10 8457 096 008 050
	32	a + c even loading	10 8457 096 008 009	10 8457 096 008 033	10 8457 096 008 057
	32	a loading only	10 8457 096 008 003	10 8457 096 008 027	10 8457 096 008 051
	94 + 2	fully loaded + ground	10 8457 096 108 001	10 8457 096 108 025	10 8457 096 108 049

Additional information on this product is available from AVX's catalog or AVX's FAX Service. Call 1-800-879-1613 and request document #191. Visit our website <http://www.avxcorp.com>