

# TC9169AP, TC9170AP

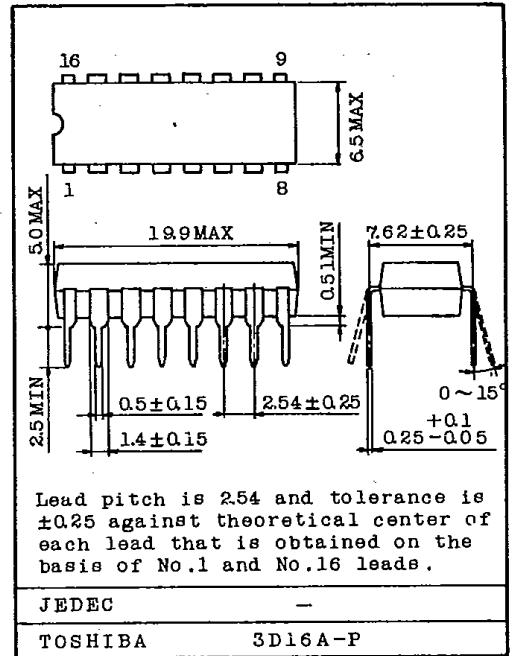
## ELECTRONIC VOLUME FOR GRAPHIC EQUALIZER

T-77-21

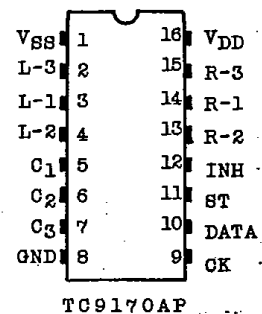
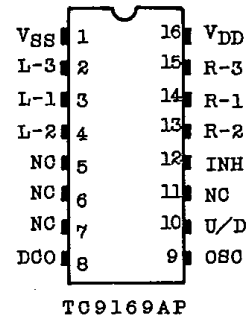
Unit in mm

The TC9169/70AP is an optimum C<sup>2</sup>MOS IC which has been designed for electronization of graphic equalizer of audio equipment with the following features.

- Allows 13-step variable control form -6 to 0 to +6.
- 2 channels have been built in.
- The TC9169AP is capable of control by means of the built-in oscillator and the up/down terminals.
- The TC9170AP is capable of optionally setting control position when specified data are externally supplied to the data, clock and strobe input terminals.
- Being in C<sup>2</sup>-MOS structure, the operating voltage range is wide and current consumption is low.  
V<sub>DD</sub>=6 ~12V (Backup is possible down to 4V)



### PIN CONNECTIONS



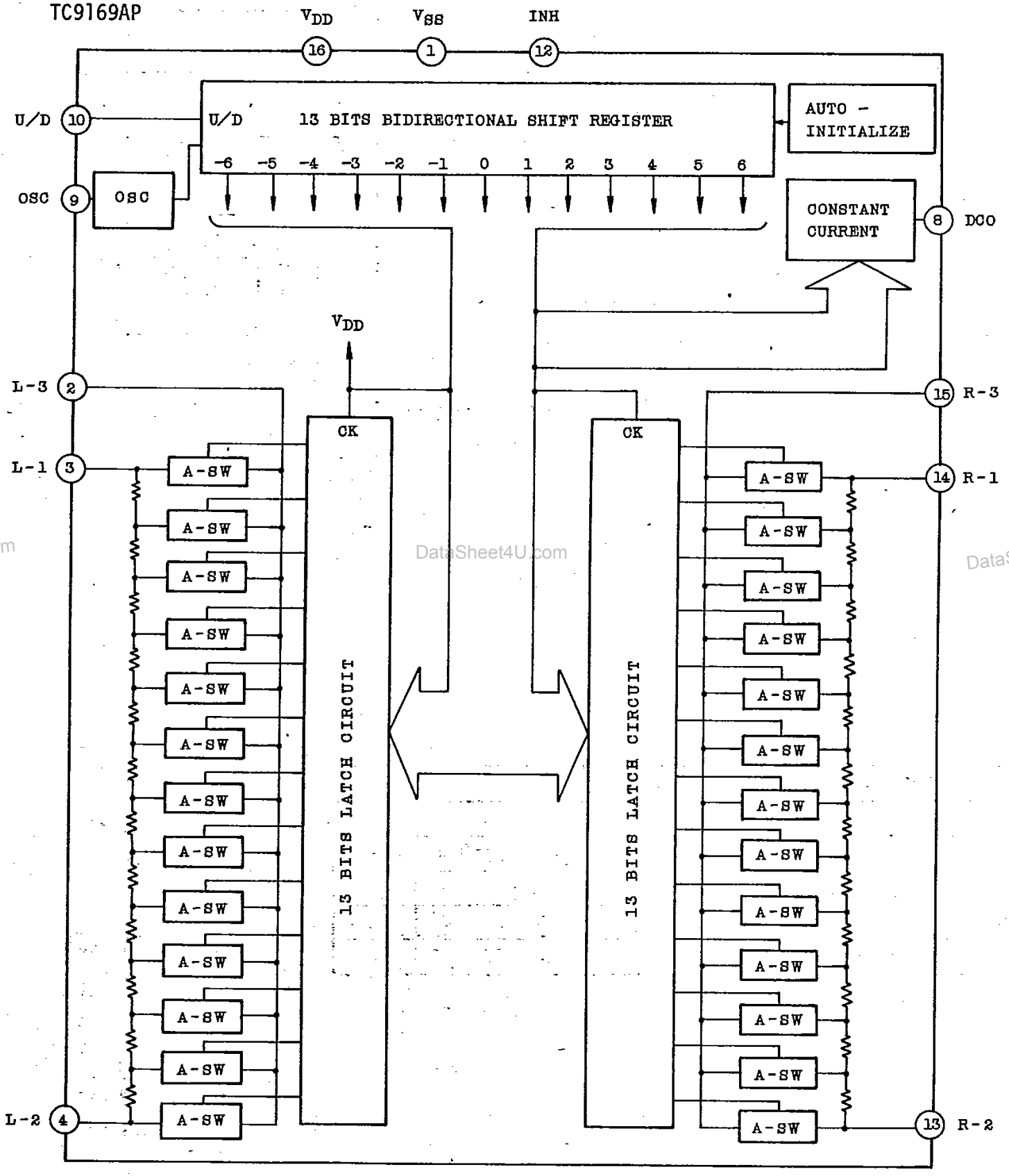
### MAXIMUM RATINGS (Ta=25°C)

CHARACTERISTIC	SYMBOL	RATING	UNIT
Supply Voltage	V <sub>DD</sub>	13	V
Input Voltage	V <sub>IN</sub>	V <sub>SS</sub> -0.3 ~ V <sub>DD</sub> +0.3	V
Power Dissipation	P <sub>D</sub>	150	mW
Operating Temperature	T <sub>opr</sub>	-30 ~ 75	°C
Storage Temperature	T <sub>stg</sub>	-55 ~ 125	°C

# TC9169AP, TC9170AP

## BLOCK DIAGRAM

TC9169AP



et4U.com

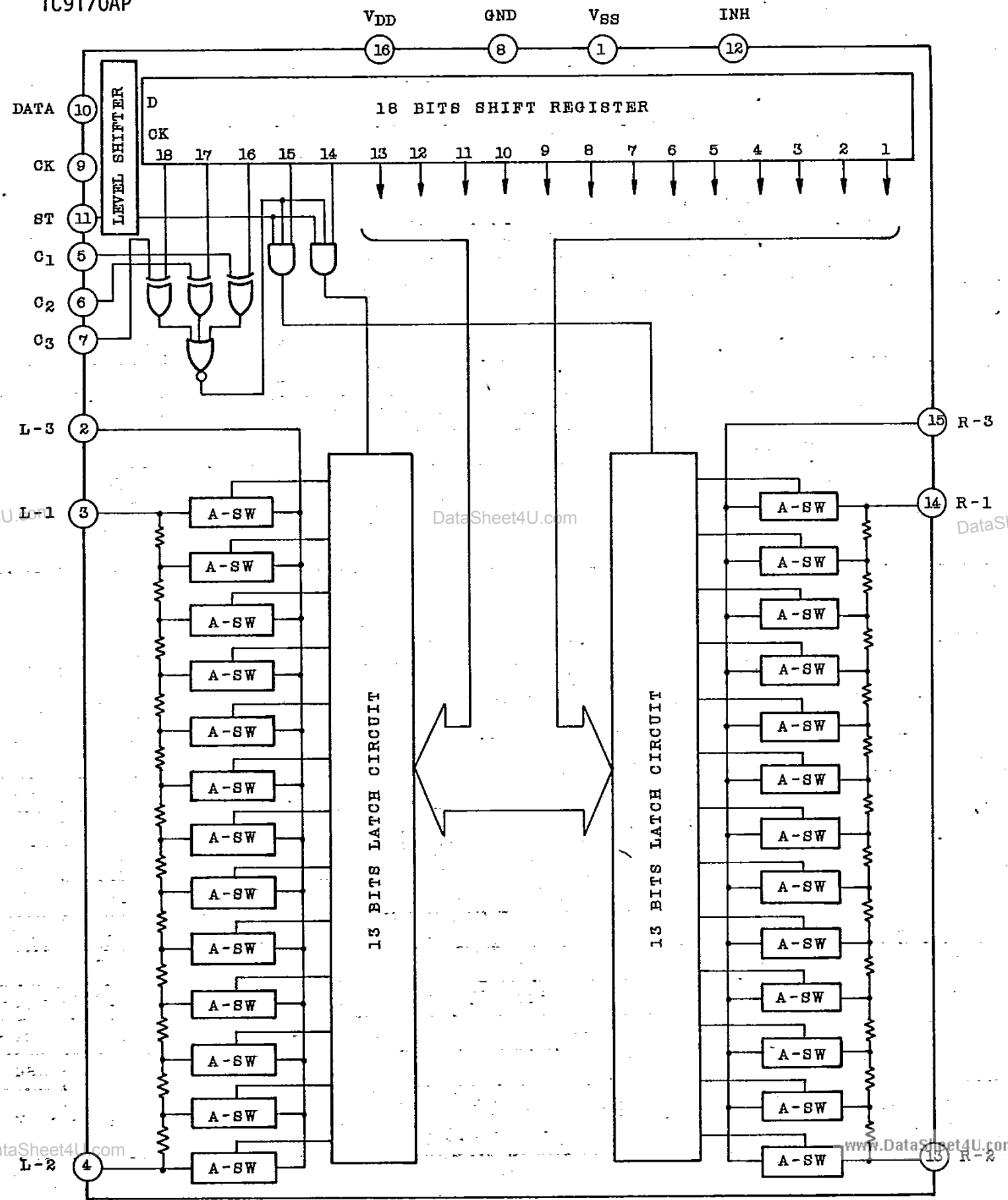
DataSheet4U.com

DataShee

# TC9169AP, TC9170AP

T-77-21

TC9170AP



et4U L-1

DataSheet4U.com

DataShe

DataSheet4U.com

www.DataSheet4U.com

# TC9169AP, TC9170AP

## ELECTRICAL CHARACTERISTICS

TC9169AP (Unless otherwise specified,  $V_{DD}=12V$ ,  $V_{SS}=0V$ ,  $T_a=25^\circ C$ )

CHARACTERISTIC	SYMBOL	TEST CIR-CUIT	TEST CONDITION	MIN.	TYP.	MAX.	UNIT
Operating Supply Voltage	$V_{DD}$	-		6	~	12	V
Operating Supply Current	$I_{DD}$	-		-	1	3	mA
Backup Current	$I_B$	-	$V_{DD}=4V$ , INH="L"	-	1	10	$\mu A$
Input Voltage	"H" Level	$V_{IH}$	INH, U/D Terminal	$0.8 \times V_{DD}$	~	$V_{DD}+0.3$	V
	"L" Level	$V_{IL}$		$V_{SS}-0.3$	~	$0.2 \times V_{DD}$	
Total Resistor	$R_T$	-		50	100	140	k $\Omega$
Resistance Ratio Error	-	-		-5	~	+5	%
Max. Input Voltage	$V_{in}$	-	Bias $V_{DD}/2=6V$	-	-	4.0	$V_{rms}$
Operating OSC Frequency	$f_{OSC}$	-		5	~	10k	Hz
DCO Output Current	$I_{DCO}$	-	1 at/step	140	200	280	$\mu A$
Total Harmonic Distortion	THD	-	Step=+6, $f_{in}=1kHz$ $V_{in}=1.0V_{p-p}$	-	0.005	0.01	%

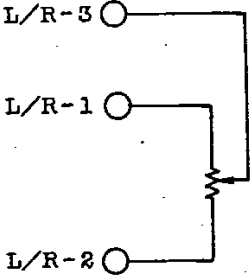
TC9170AP (Unless otherwise specified,  $V_{DD}=6V$ ,  $V_{SS}=-6V$ ,  $GND=0V$ ,  $T_a=25^\circ C$ )

CHARACTERISTIC	SYMBOL	TEST CIR-CUIT	TEST CONDITION	MIN.	TYP.	MAX.	UNIT
Operating Supply Voltage	$V_{DD}-V_{SS}$	-		6	~	12	V
Operating Supply Current	$I_{DD}$	-		-	1	3	mA
Static Supply Current	$I_{DD}(S)$	-	$V_{DD}=4V$ , INH=0V	-	1	10	$\mu A$
Input Voltage	"H" Level	$V_{IH}$	Data CK, ST	$0.8 \times V_{DD}$	~	$V_{DD}+0.3$	V
	"L" Level	$V_{IL}$		-0.3	~	$0.2 \times V_{DD}$	
Total Resistance	$R_T$	-		50	100	140	k $\Omega$
Resistance Relative Error	-	-		-5	~	+5	%
Max. Input Voltage	$V_{in}$	-	Bias=0V	-	-	4.0	$V_{rms}$
Max. Clock Frequency	$f_{ck}$	-		-	-	100	kHz
Min. Clock Width	$T_{ck}$	-		5	-	-	$\mu sec$
Total Harmonic Distortion	THD	-	Step=+6, $f_{in}=1kHz$ $V_{in}=1.0V_{p-p}$	-	0.005	0.01	%

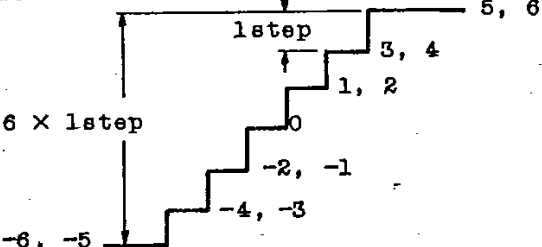
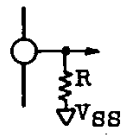
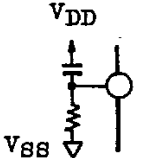
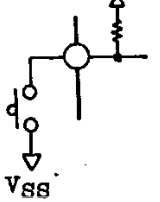
# TC9169AP, TC9170AP

T-77-21

## FUNCTIONAL DESCRIPTION OF EACH TERMINAL

TERMINAL No.	SYMBOL	FUNCTION	REMARKS
2	L-3	Input/Output terminal for tone control resistor. 	L and R Symmetrical
15	R-3		
3	L-1		
14	R-1		
4	L-2		
13	R-2		

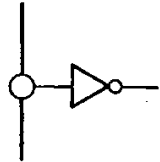
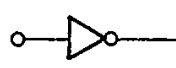
### TC9169AP

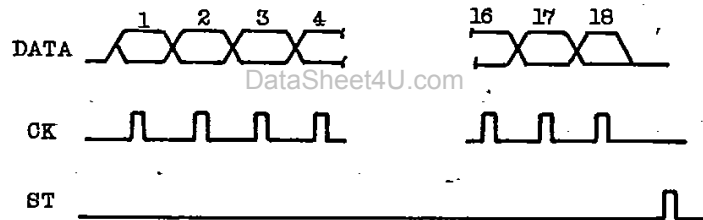
7	INH	Inhibit pin. When this terminal is at "L" level, all input/output are cut off and the TC9169AP is placed in the inhibit state. When at "H" level, the TC9169AP operates normally.	
8	DCO	DC current output for displaying step $-6 \sim 0 \sim +6$ is divided into 7 steps and approx. $200\mu\text{A}/\text{step}$ is transmitted. 	 Attenuation can be converted to DC voltage by attaching a resistor between the terminal and VSS.
9	OSC	C, R connecting terminal for the oscillator. Up/down speed is decided by the up/down control oscillator for tone according to this time constant.	
10	U/D	Tone up/down control input terminal. When this terminal is at "H" level, high or low tone is increased synchronizing with rise of the oscillator. Conversely, when this terminal is at "L" level, high or low tone is decreased.	With pull-up resistance. 

# TC9169AP, TC9170AP

T-77-21

## TC9170AP

TERMINAL No.	SYMBOL	FUNCTION	REMARKS
10	DATA	Equalizer channel selection data input terminal. Data consists of 18 bits and inputted by CK signal.	
9	CK	Clock input terminal. Clock input terminal for taking data from DATA terminal.	
11	ST	Strobe input terminal. Attenuation channel selection signals taken from DATA and CK terminals are latched when this terminal is placed at "H" level. When no "H" level signal is applied to this terminals, previous data is kept maintained.	 C-MOS Input
5 6 7	C <sub>1</sub> C <sub>2</sub> C <sub>3</sub>	Cord bit input terminals. Only when the states ("H" or "L") of those terminals are the same as those (C <sub>1</sub> =16th bit, C <sub>2</sub> =17th bit, C <sub>3</sub> =18th bit) of the transmitted tone control data, the 16th to 18th bit, the TC9170AP operates. ("H"=V <sub>DD</sub> , "L"=V <sub>SS</sub> )	 C-MOS Input



## DESCRIPTION OF OPERATION

### 1. SETTING OF TONE CONTROL POSITION

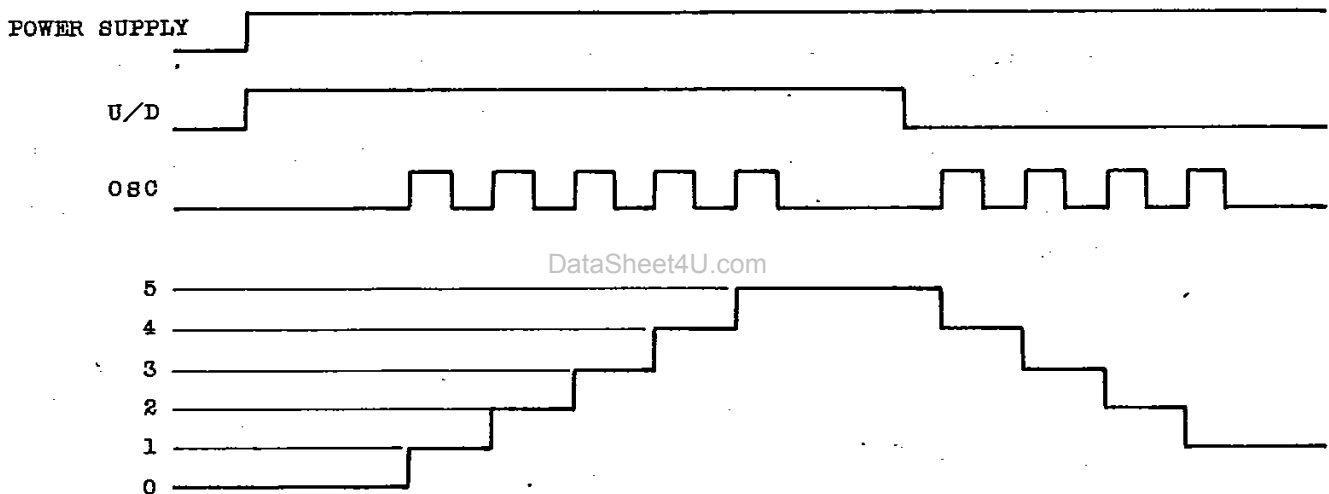
Setting of tone control position differs between the TC9169AP and TC9170AP.

On the TC9169AP, position can be increased/decreased according to the state of U/D terminal ("H" or "L" level) by actuating the built-in oscillator.

On the TC9170AP, position can be set at optional level by inputting specified data to the DATA, CK and ST terminal, respectively.

#### In Case of TC9169AP

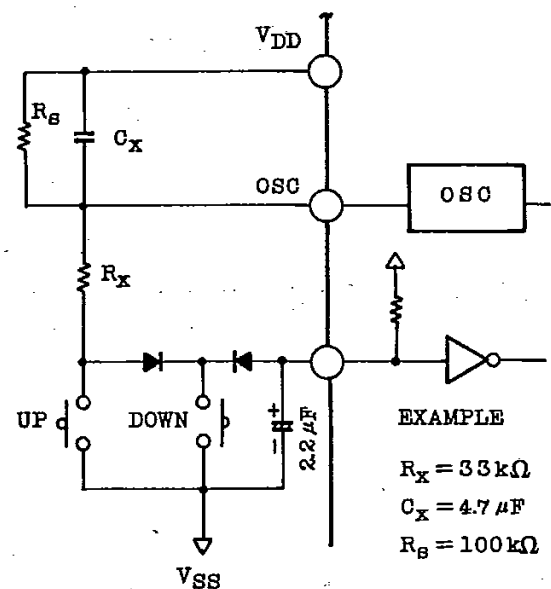
On the TC9169AP, control position is automatically set at the 0dB (center) position when power is applied.



When the UP key is pressed after power ON, the U/D terminal is placed in the up state at "H" level, and the oscillator is actuated.

When the DOWN key is pressed, the U/D terminal is left at "L" level as long as the DOWN key is pressed, and the oscillator is actuated in the down state and therefore, position is decreased. Oscillation frequency is decided by  $C_x$  and  $R_x$ .

$$f_{OSC} \doteq \frac{1}{0.7C_x \cdot R_x} \quad (\text{Hz}) \quad (R_s \geq 3R_x)$$

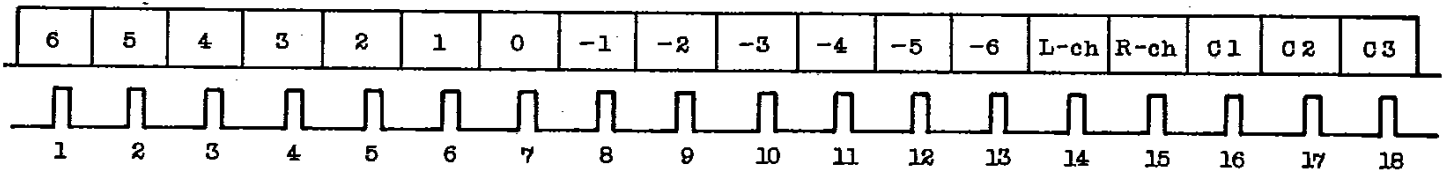


# TC9169AP, TC9170AP

T-77-21

## . In Case of TC9170AP

On the TC9170AP, optional position data is inputted through the DATA, CK and ST. Data consists of 18 bits as follows.

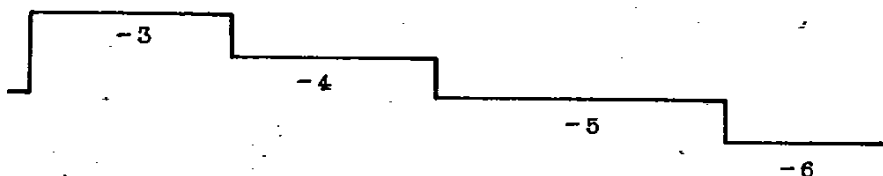
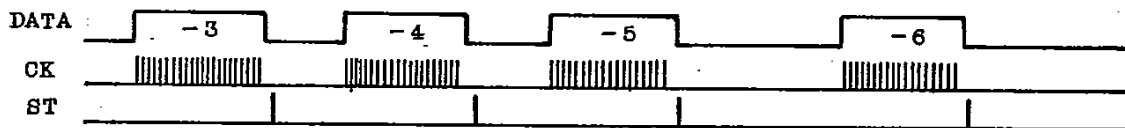
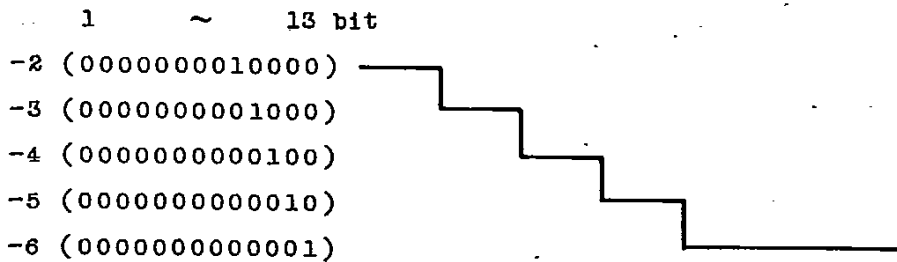


For instance, when data of (000100000000011000) is inputted through the DATA terminal, position is set at +3.

The 1st to 13th bit of the data are tone control data, allowing 13 steps of +6 ~ 0 ~ -6 be set up.

The 14th and 15th bit are for selecting the left and right channels, and "1".  
"0"=Lch, "0", "1"=Rch, "1", "1"=L & Rch.

The 16th to 18th bit are code bits.



Changes to data that has been taken in are all synchronized with ST signal.

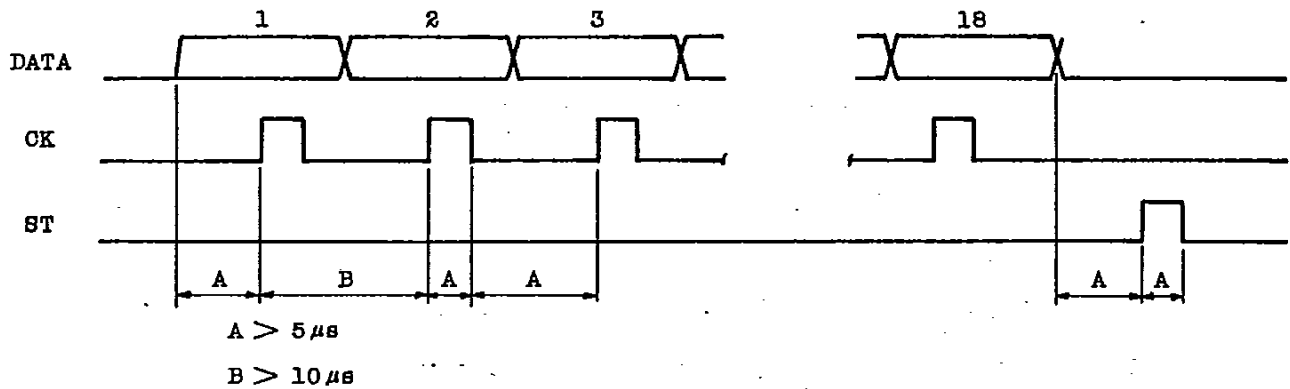


# TC9169AP, TC9170AP

T-77-21

## TIMING OF DATA, CK AND ST

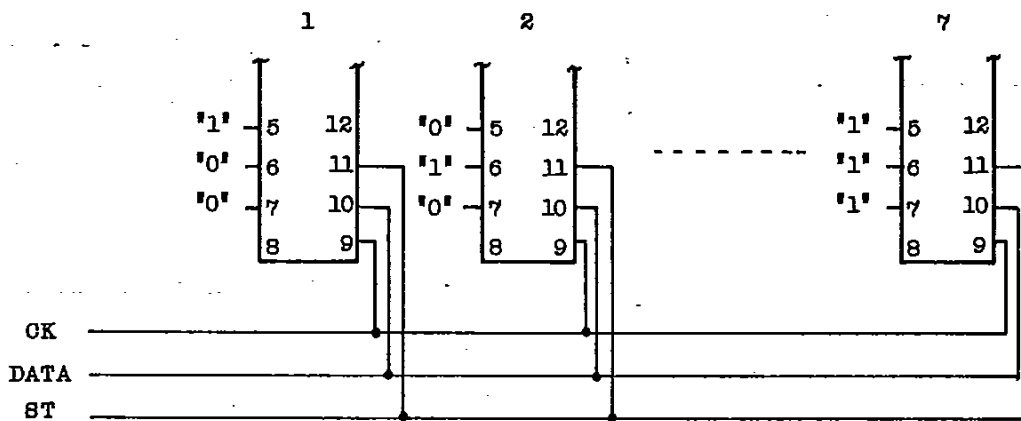
DATA, CK and ST should be inputted under the conditions shown below.



## CODE BITS

Terminals 5, 6 and 7 are code bit terminals.

When the code bit data among transmitted data are compared with these terminals, if their codes are the same, the data are accepted. These code bit terminals are used for selecting two ICs or more.



Code bits can be used up to the following seven codes.

C1	C2	C3
1	0	0
0	1	0
1	1	0
0	0	1
1	0	1
0	1	1
1	1	1

\* The TC9169AP IC for electronic volume is internally set up to  $C1=C2=C3=0$ . Therefore, when the codes are used at the same time, note that the codes "0" "0" "0" of the TC9170AP should not be used.

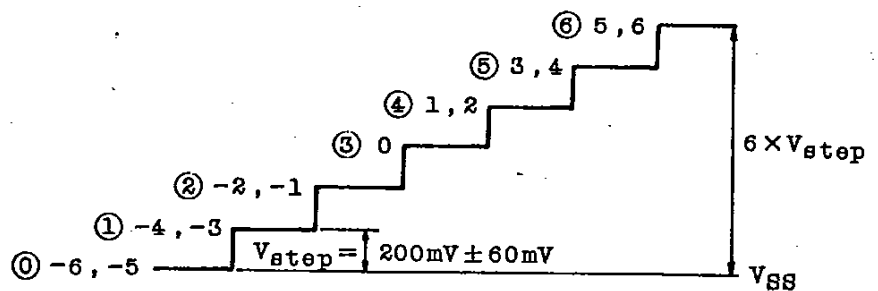
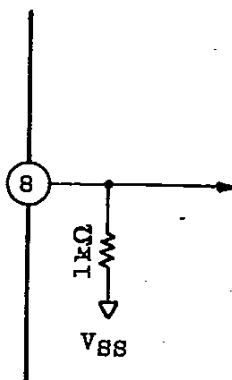
# TC9169AP, TC9170AP

T-77-21

## STEP POSITION DISPLAY OUTPUT

The TC9169AP is provided with the DC current output terminal for +6~0~-6 steps.

STEP	DCO	POSITION
0	0	-6, -5
1	$200\mu\text{A} \pm 60\mu\text{A}$	-4, -3
2	$2 \times \text{STEP 1}$	-2, -1
3	$3 \times \text{STEP 1}$	0
4	$4 \times \text{STEP 1}$	+1, +2
5	$5 \times \text{STEP 1}$	+3, +4
6	$6 \times \text{STEP 1}$	+5, +6



\* Output current may fluctuate depending upon IC.

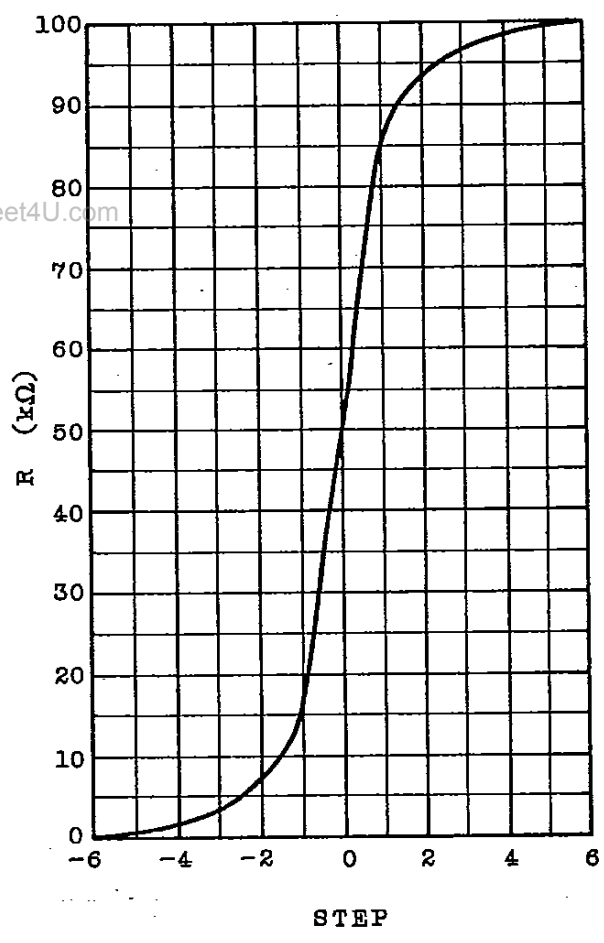
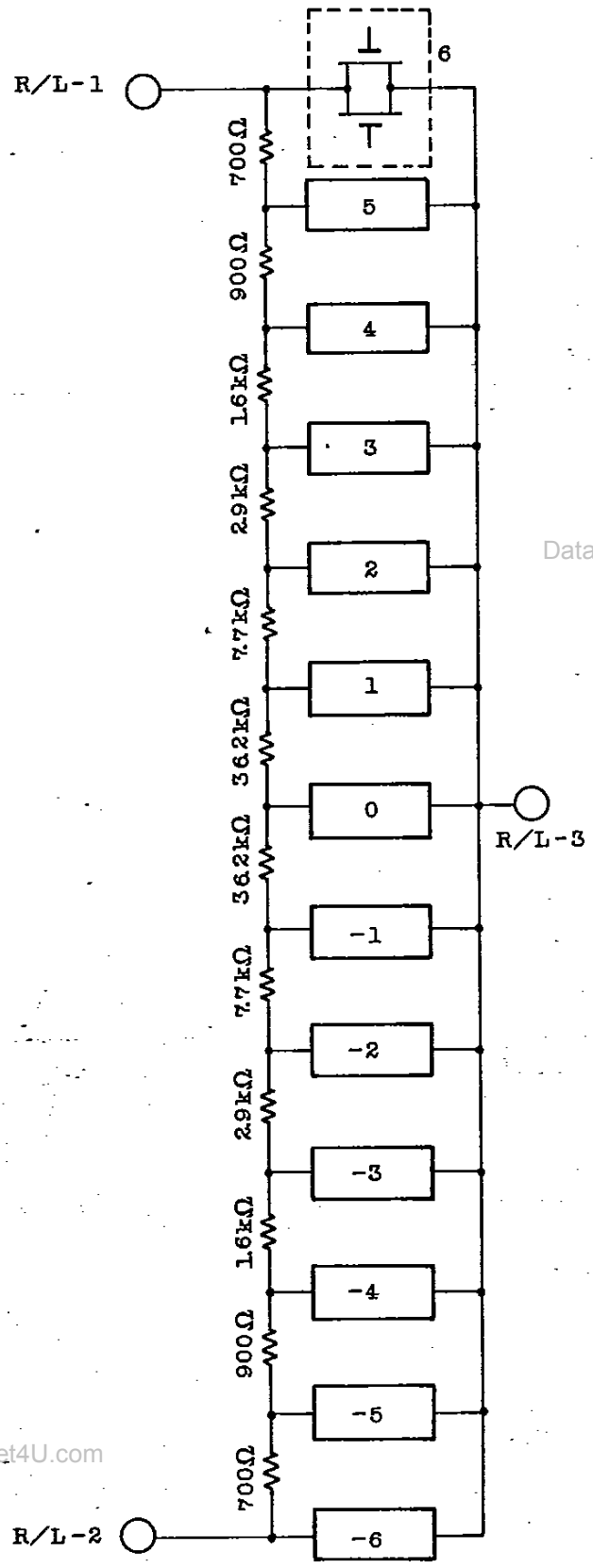
When high precision is required, use a variable resistor.

# TC9169AP, TC9170AP

T-77-21

## VARIABLE RESISTANCE

The variable resistance consist of diffused resistors and analog switches.



et4U.com

DataSheet4U.com

DataShe

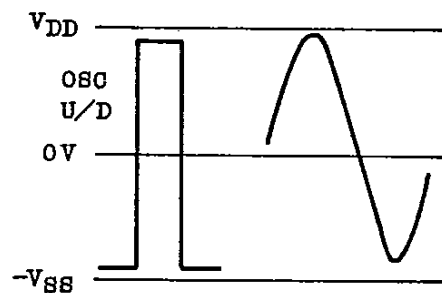
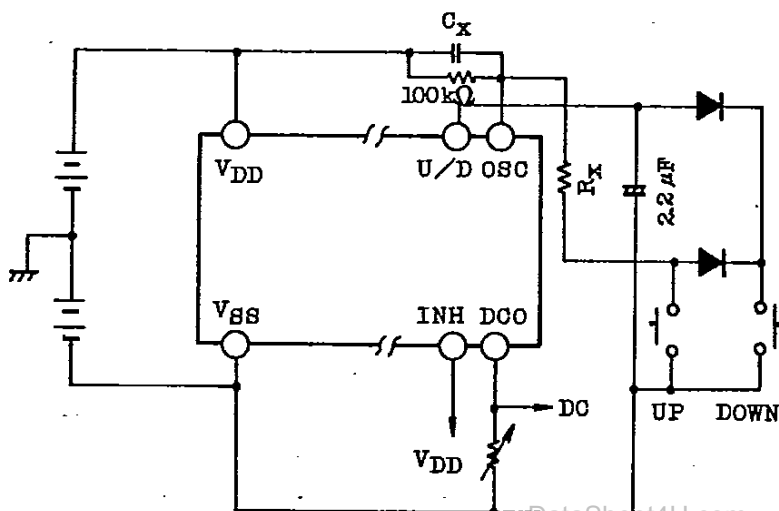
# TC9169AP, TC9170AP

T-77-21

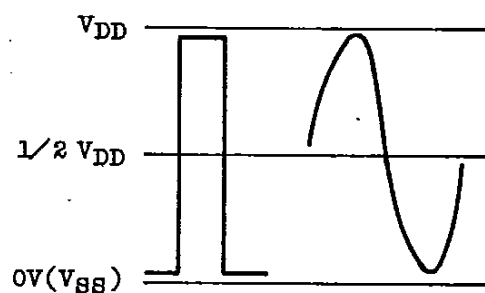
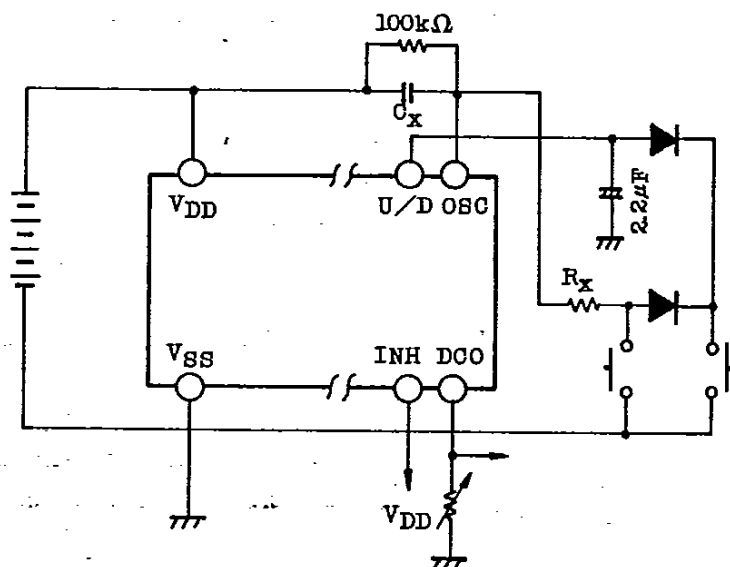
## POWER SUPPLY

### TC9169AP

#### . IN CASE OF DUAL POWER SUPPLY



#### . IN CASE OF SINGLE POWER SUPPLY



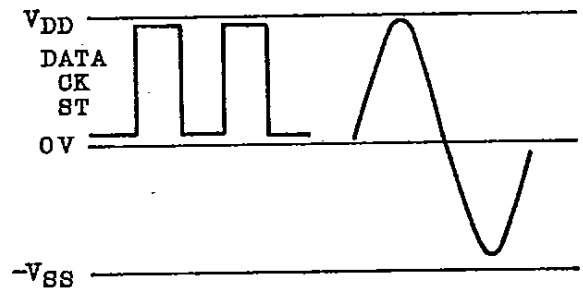
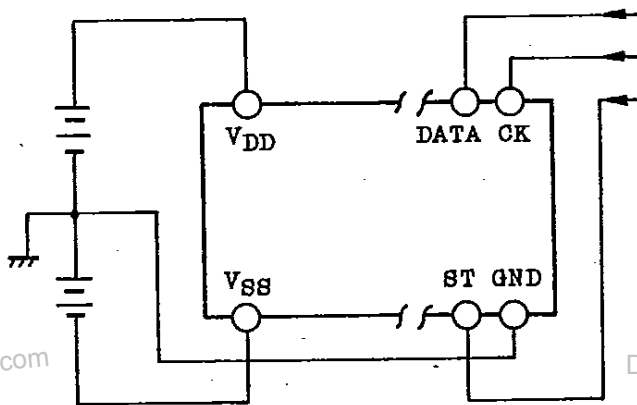
# TC9169AP, TC9170AP

T-77-21

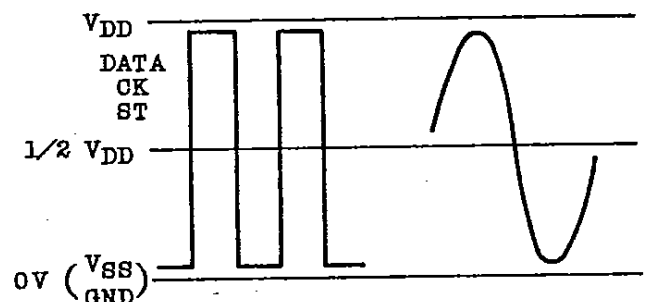
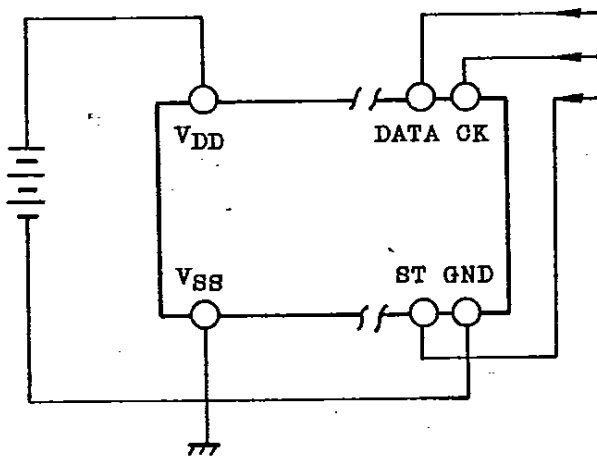
## TC9170AP

As the TC9170AP has a built-in level shifter, DATA, CK and ST inputs can be operated by a single power supply ( $V_{DD}$ -GND) even when Dual power supplies are used. As a result, it has become easy to connect to a microcomputer, other controller.

### . IN CASE OF DUAL POWER SUPPLY



### . IN CASE OF DUAL POWER SUPPLY

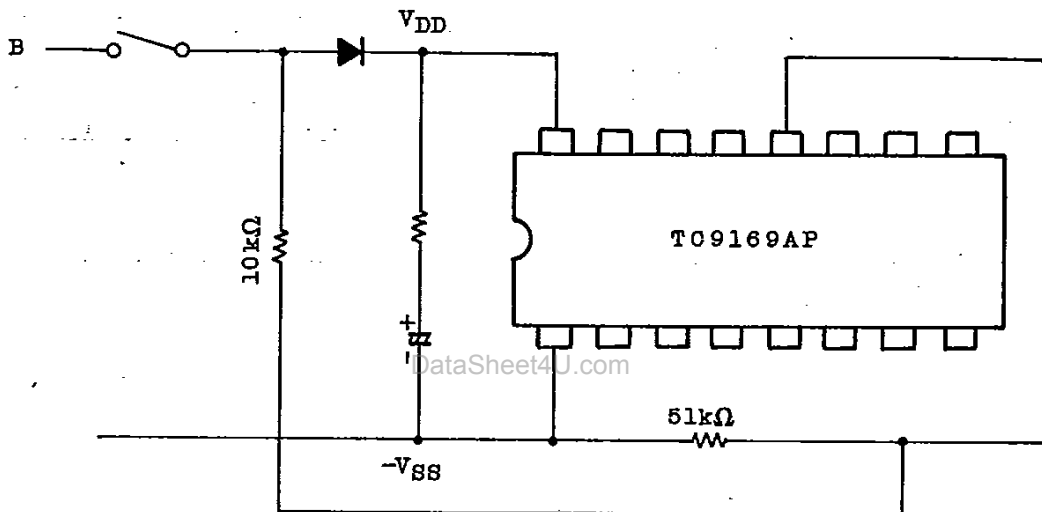


# TC9169AP, TC9170AP

T-77-21

## BACKUP WHEN POWER OFF

On the TC9169AP, when the INH terminal is set at "L" ( $-V_{SS}$ ) level, all input/output terminals are shut off and current consumption is reduced to the minimum. The backup by means of a capacitor becomes possible in this condition. An example of application when a backup capacitor is used is shown below.



\* If  $V_{DD}-V_{SS}$  drops below 4.0V, the backup becomes impossible.

The TC9170AP is of such type that position data is supplied externally and therefore, is not suited for the backup. It is recommended to perform the backup at the controller side and to input holding data when power is ON.

# TC9169AP, TC9170AP

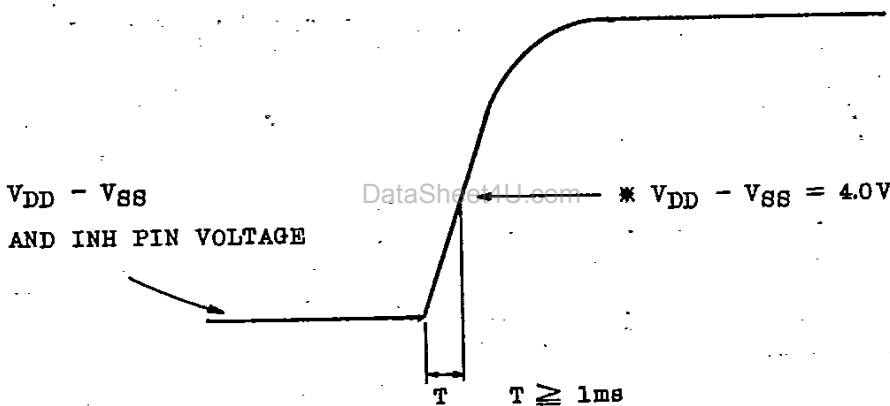
T-77-21

## INITIALIZATION WHEN POWER ON

The TC9169AP has the auto-initializing function built-in for initialization at time of power ON.

As the initializing system through detection of supply voltage level is adopted, if rise of power supply is too fast, the initialization may not be fully effected. (No external initialization is necessary.) In additions for effective initialization it is necessary that the INH terminal is raised simultaneously with supply vlotage. Further, the initializing level is "0" position.

It is recommended to rise supply voltage and the INH terminal as illustrated below.

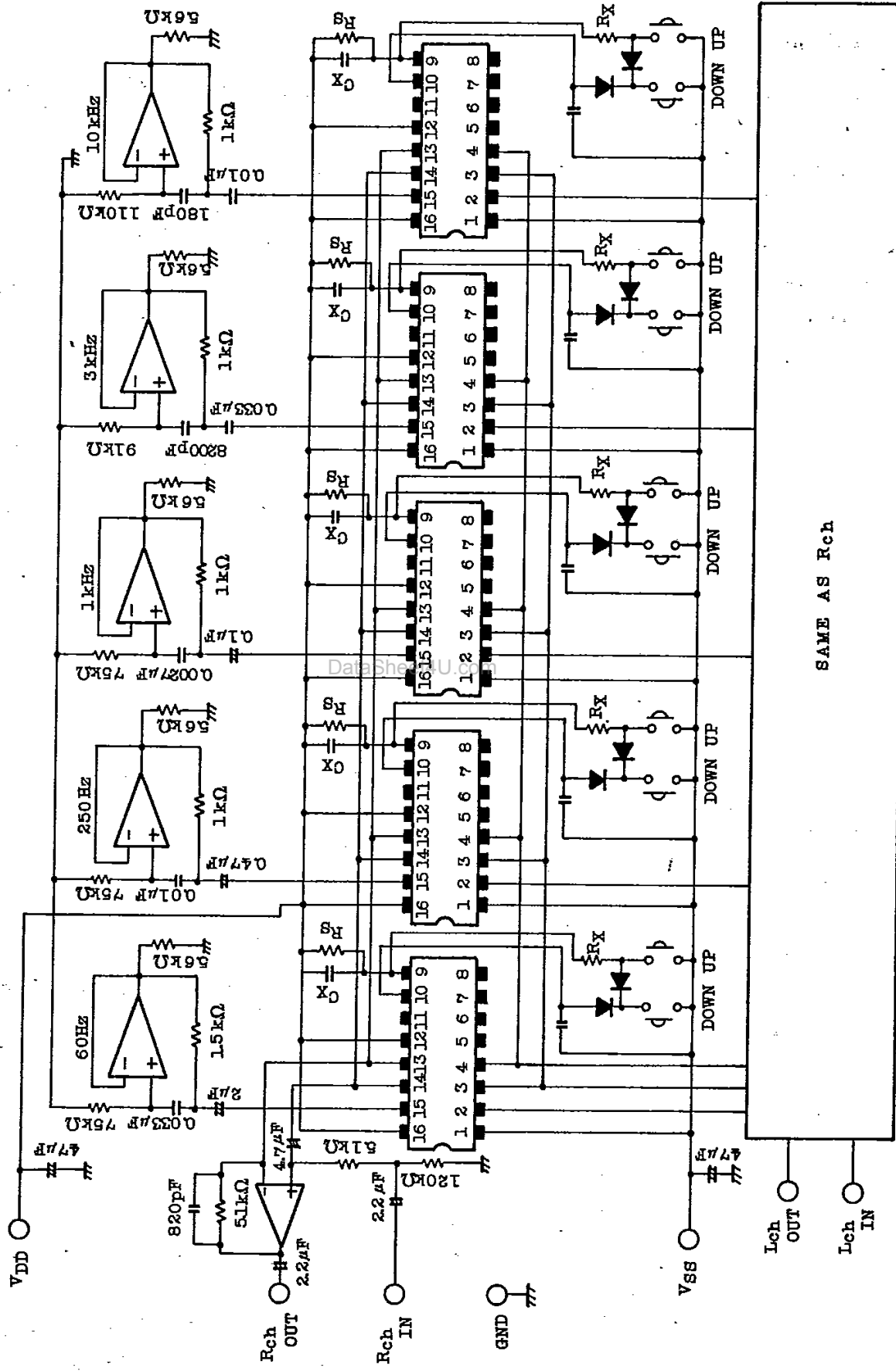


\* On the TC9169AP, if  $V_{DD}-V_{SS}$  drops below 4.0V, the auto-initializing function is actuated.

The TC9170AP is of such type that position data is supplied externally, it has no built-in auto-initializing function. It is recommended to send data after power to the TC9170AP is raised.

# TC9169AP, TC9170AP

TC9169AP APPLICATION CIRCUIT  
(5 BANDS GRAPHIC EQUALIZER)



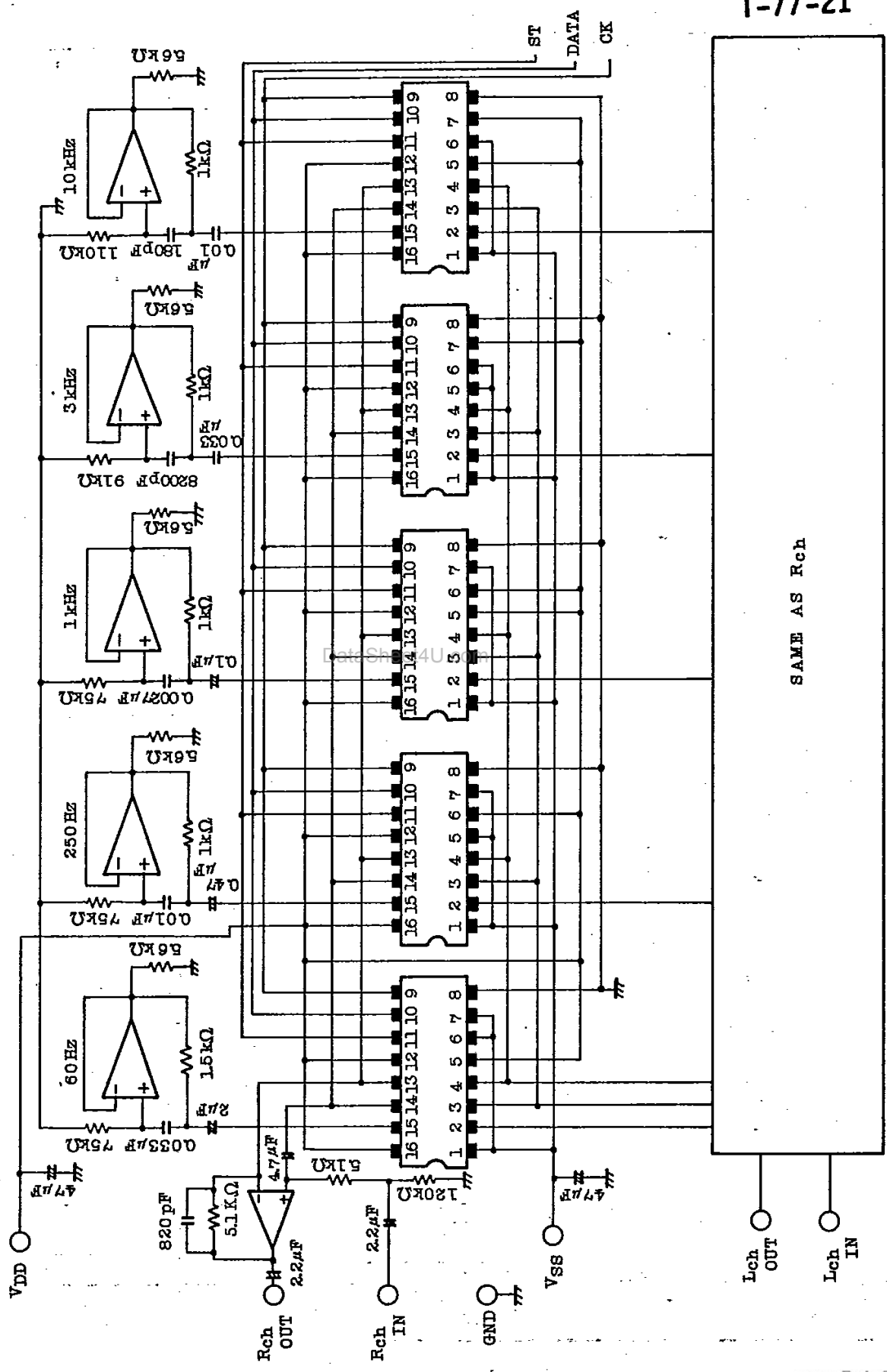
\* Op Amp TA75902P



# TC9169AP, TC9170AP

T-77-21

## TC9170AP APPLICATION CIRCUIT (5 BANDS GRAPHIC EQUALIZER)



SAME AS Rch

\* Op Amp TA75902P