



ADSL, ADSL2 and ADSL+ Modem Chipset for CPE Applications with Utopia II Interface

DATA BRIEF

1 APPLICATIONS

- Low end and high end ADSL Bridge and Router solutions
- ADSL Modems / routers for residential and SOHO broadband access to www and corporate VPNs
- Integrated Access Devices offering VoDSL or VoIP applications
- Home gateway solutions

2 FEATURES

- High Integration
 - 2 chips, Line to ATM
 - Direct ATM Interface
 - Line Driver integrated
 - Highly reduced bill of material cost
- Support for multiple ADSL standards:
 - ANSI T1.413 Issue2
 - ITU G.992.1 (G.dmt)
 - Annex A, Annex B, Annex C
 - ITU G.992.2 (G.Lite)
 - ITU G.992.3 (ADSL2)
 - Annex A, B, C, I, J and L
 - ITU G.992.4 (G.Lite bis)
 - ITU G.992.5 (ADSL2+)
 - Annex A, B, C, I, J and L
 - Support of ReachDSLTM with digital companion chip
- Cat II functionality: Trellis coding and echo cancellation
- Dual latency support: fast + interleaved
- Small footprint packages allow high density board designs
- Embedded controller with cache for powerful and flexible on chip control of the modem operation

Figure 1. Package

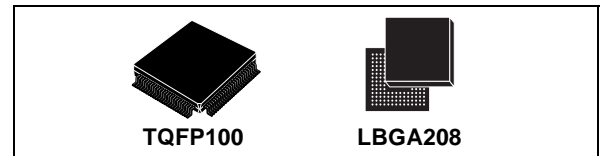


Table 1. Order Codes

| Part Number | Package |
|-------------|---------|
| ST20184 | TQFP100 |
| ST20196 | LBGA208 |

- Complete modem package
 - No dependency on external processor and easy, straight forward integration with external network processors
 - Full reference design kit for modem manufacturers, including schematics, layout, BoM, HW design guide, firmware
- Highest Performance
 - Fully rate-adaptive
 - ADSL mode > 12 Mbps in Downstream and > 1 Mbps in Upstream
 - ADSL+ mode > 20 Mbps in Downstream and > 2 Mbps in Upstream when using 64 tones (annex L)

3 OVERALL DESCRIPTION

The ST20190 is a new generation ADSL chipset from STMicroelectronics. It is highly integrated and has the flexibility to offer all standards, all annexes while being fully optimised for CPE applications. It provides all the required functions to implement a complete Utopia rate adaptive DMT ADSL modem. It consists of the optimised ADSL Analogue Front-End chip ST20184 and the digital chip ST20196 which includes a DMT/ATM modem, and a dedicated ADSL Transceiver Controller with associated Firmware.

As shown in Fig.2, the chipset interfaces have been defined to allow direct integration into systems design, reducing both time-to-market and im-

plementation risks. The data interface is implemented as an ATM Utopia interface. A HW/FW command and control interface (CtrlE) to communicate with external management entities, is directly provided, without need for glue logic.

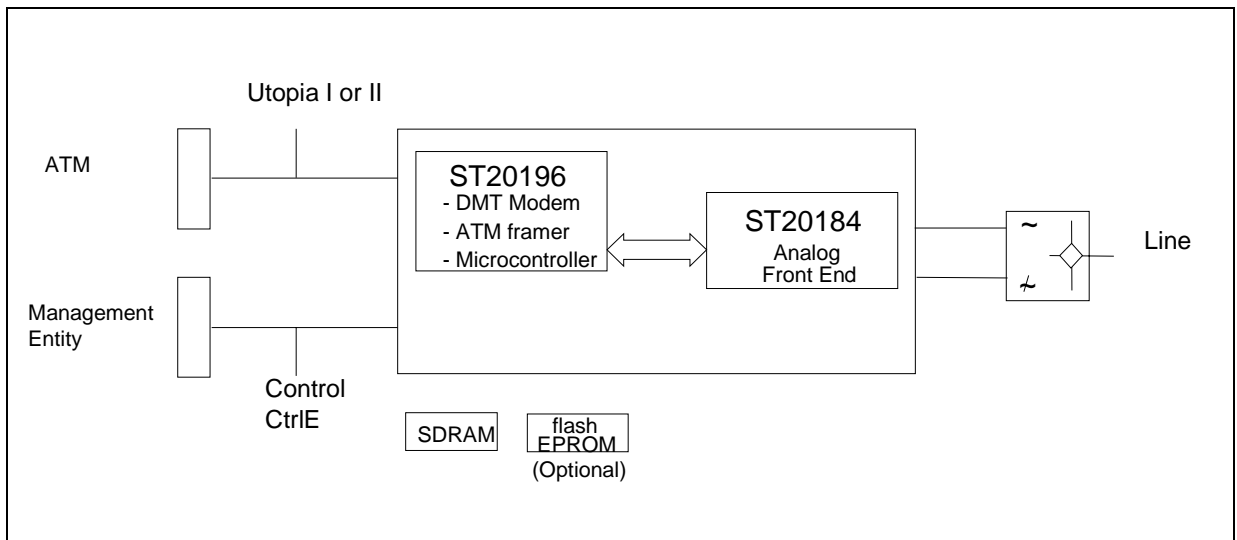
The chipset employs Discrete Multi-Tone modulation as specified in ANSI T1.413. It also supports ETSI TS 101 388 and ITU standards G.992.1 (G.dmt) including Annex A, B and C; G.992.2 (G.lite) annex A, B and C; G.992.3 (ADSL2) including Annex A, B, C, I, J and L; G.992.5 (G.ADSL+) including Annex A, B, C, I, J and Annex L.

Flexible bit assignment is foreseen to support ADSL overlay over POTS and ISDN but also All Digital loop and overlapping spectra. Additional Reed-Solomon forward error correction with optional interleaving provides maximum noise immunity.

4 THE MODEM ENVIRONMENT

An integrated ADSL-compatible line driver is used to drive the telephone twisted pair, and a POTS/ISDN splitter or adequate distributed filtering is required to split the baseband analogue telephone or ISDN signal from the modulated ADSL signal. In G.Lite mode, the splitter can be removed and replaced by distributed POTS filters. Brief characteristics of the system are given in Section 6. The bit rate can be varied in steps of 32 kbits/s in ADSL and in steps of 1 kbit/s in ADSL2/ADSL+ mode.

Figure 2. Utopia Chipset Block Diagram



5 CHIPSET FUNCTIONS

The functions performed by each IC are as follows:

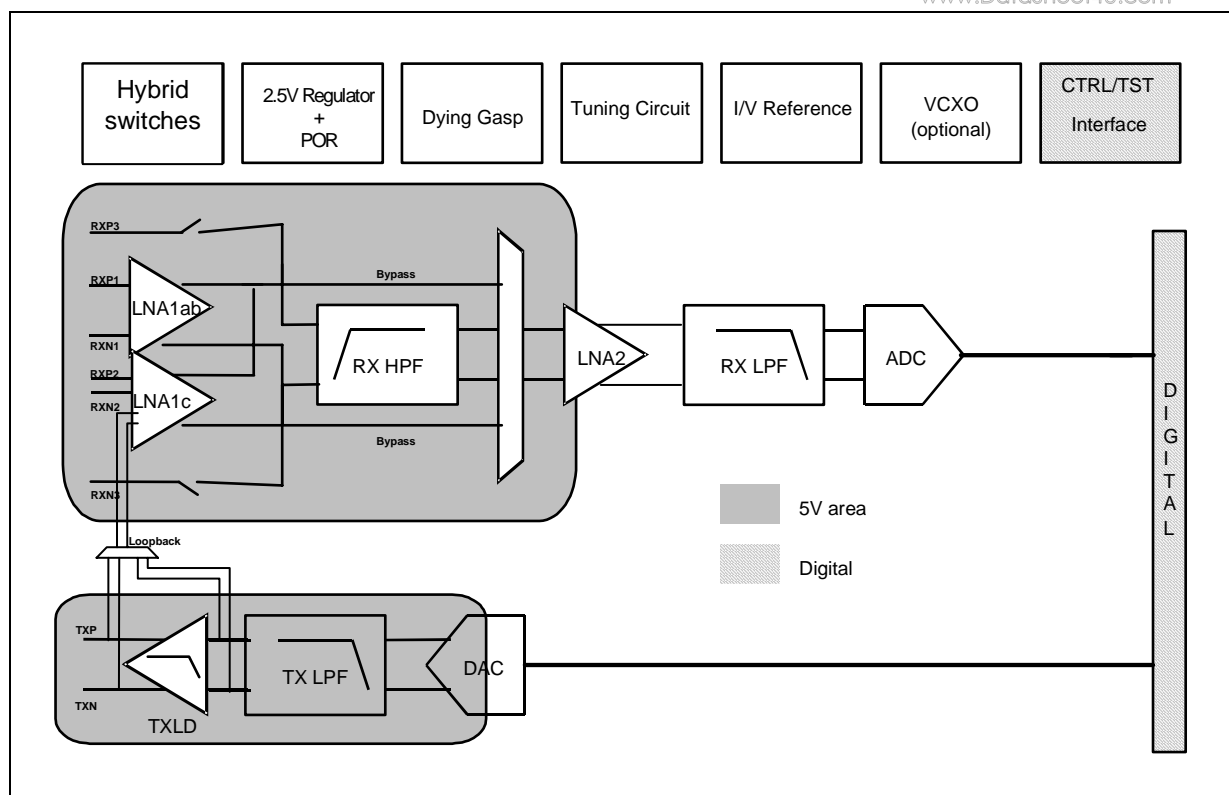
5.1 ST20184

This CMOS IC contains the analogue functions required in the transceiver. In order to cope with the high attenuation of the line and in order to maintain an acceptable noise level of the signal, Programmable gain amplifiers have been implemented at the analogue front of the transmission and reception paths. In Reception, the signal goes through a LNA, a high pass filter to eliminate echo and LNA before a low pass filter for anti-aliasing. The AD and DA converters provide 14-bit resolution at 2.2 MHz sampling rate.

Finally, for the transmission part, the control of the external hybrid driver is done by a highly integrated linear line driver.

Figure 3. Block Diagram of ST20184

www.DataSheet4U.com



5.2 ST20196

5.2.1 Discrete Multi Tone (DMT) Modulation and Demodulation

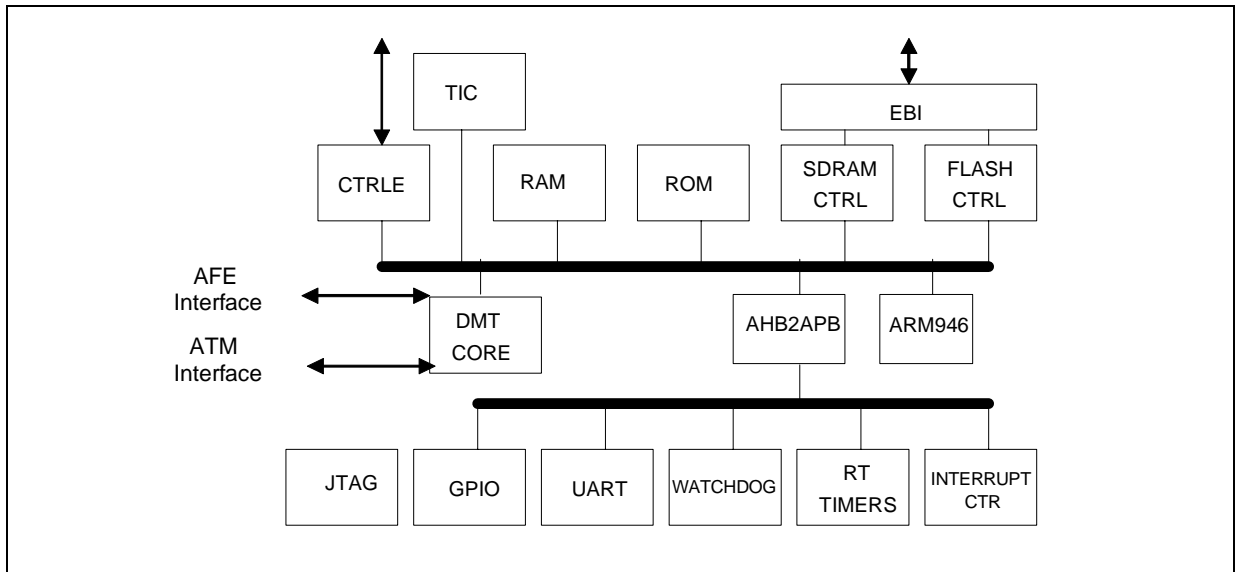
The ST20196 includes a digital Quadrature Amplitude Modulation (QAM) mapper/demapper which allows coding of up to 15 bits per tone. The device incorporates the necessary Inverse- and Fast Fourier Transform (IFFT, FFT), an innovative unique Per Tone Equalizer (PTEQ), echo cancelling (EC), Trellis coding and decoding plus timing units and a fully digital clock recovery scheme (TDI). These last blocks feature efficient synchronization algorithms to improve the efficiency of the recovery of data. The ST20196 performances rely on embedded programmable cores.

In ADSL2 mode the modem supports diagnostics modes, enhanced power management modes to reduce the CO power (L2), 1 bit constellation, relocatable and modulated pilot.

5.2.2 Framing Functions

The ST20196 incorporates framing functions for the generic and ATM Transmission Convergence (TC) layers. The new TC layer architecture is fully under the control of an embedded controller. This provides the flexibility to adapt to different framing variants via firmware. The TC consists of data scrambling and Reed-Solomon error correction with and without inter-leaving. It also includes the rate converter functionality as defined in G.dmt Annex C. Several framing variants are implemented (such as interleaved and non-interleaved modes, full and reduced overhead) to ensure compliance with ANSI T1.413 Issue 2 and ITU G.992.1 (G.dmt), G.992.2 (G.Lite), G.992.3 and G.992.4.

Figure 4. Block Diagram of ST20196



5.2.3 Interface to Utopia Bus

The IC contains the ATM-related functions to interface with the ATM utopia bus and supports level 1 and 2 modes.

5.2.4 Control of Transceiver Chip

The ST20196 runs the firmware controlling the operations of the ADSL transceiver (AFE, DMT modem, Framer). During modem initialization, the controller computes and sets up parameters for all programmable DMT functions, filters and equalizers. The ATM TC includes cell level functions (such as cell delineation, insertion/ extraction of idle cells, payload scrambling, HEC check) and data frame generation. The controller is able to run in different rate-adaptive modes as defined by the operator. During operation, the ST20196 performs continuous line monitoring and initiates consecutive actions as specified by the operator (e.g. bit-swapping, dynamic bit-rate adaptation, power management, ... etc.) and collects performance and error information for use by management entities.

5.2.5 Interface to Management Entities

The ST20196 also runs the communication protocol to interface with external management entities. A specific ADSL modem control interface has been defined to ease the integration with both systems hardware and firmware. This control communication channel is used to transfer information and commands between modem and management entities. These commands/responses are fully described in the CtrlE specification and can be categorized as follows:

- Configuration of a modem line
- De-allocation of a modem line
- Operational Data Retrieval
- Performance Data Retrieval
- Defect Retrieval

6 SUMMARY OF CHARACTERISTICS ST20190

www.DataSheet4U.com

6.1 ST20184 FEATURES

- Fully integrated ADSL line driver concept (minimises external components)
- Standards support for:
 - ANSI T1.413 Issue 2
 - ITU G.992.1 (G.dmt)
 - Annex A, B and C
 - ITU G.992.2 (G.lite)
 - ITU G.992.3 (ADSL2)
 - Annex A, B, C, I, J and L
 - ITU G.992.5 (ADSL2+)
 - Annex A, B, C, I, J and L
 - Support of ReachDSL with digital companion chip
- 14 bit $\Sigma\Delta$ ADC with equivalent ENOB @ 2.2 MS/s
- 8.8MS/s DAC (14bits)
- Integrated ADSL highpass filter for POTS and Echo cancellation
- Fixed XTAL
- 2.2MHz signal bandwidth / 4.3 kHz tone spacing
- Supply voltages: 3.3V and 5V
- Temperature range: -40°C to 85°C
- Typical power consumption 900 mW
- Package: TQFP100

6.2 ST20196 FEATURES

- DMT modulation
- Max. number of bit per tone: 15 bits (32766 constellation points)
- Max. number of tones: 512 tones
- Flexible bit assignment
- Max clock speed: 36 MHz
- Max. tone spacing: 4.325 kHz
- RS encoder: max code word 256 bytes
- ATM Processor:
 - ATM cell buffering
 - Cell counting
 - Insert/Extract, Idle/Unassigned ATM cells (rate adaptation)
 - ATM HEC generation module (CCITT I.432)
 - ATM payload scrambler: payload width: 48 bytes
- Full support of Utopia level 1 or 2 interface
- Cached ARM controller for improved performance
- Modem Command interface
 - compatible with Utopia level 2 8-bit parallel management interface
 - ST's CtrlE modem control command protocol
 - Access through parallel 8bit bus or asynchronous serial port
 - Dual port RAM mailbox
- Interface to ReachDSL™ engine
- Supply voltages: 3.3V and 1.2V
- Temperature range: -40°C to 85°C
- Typical power consumption 700 mW
- Package: LBGA208

7 DEVELOPMENT SUPPORT FOR THE ST20190

www.DataSheet4U.com

Great care has been taken in defining the ST20190 to ease its integration into system designs. In particular, this is achieved:

- At hardware level: by using one standard interface (ATM Utopia) both for data transfer and for control
- At firmware level: by clearly separating the modem firmware, run on the embedded Transceiver Controller from other systems related and application-specific functions.

The boundary between the two domains is provided by means of a simple modem control protocol (CTRL-E). This "packaged modem" approach provides a self-contained ADSL modem solution, allowing system manufacturers to concentrate on system issues. The ST20190 comes in a package with full firmware, schematics, Bill of Materials and layout information for the ADSL modem part. It is further supported by a full development environment comprising:

- Evaluation boards
- PC firmware driver for CTRL-E
- DeTONEator S/W for CTRL-E to a PC
- ADSL test and control FW running on PC

Table 2. Revision History

| Date | Revision | Description of Changes |
|-----------|----------|---------------------------|
| June 2004 | 1 | First Issue in EDOCS dms. |

Information furnished is believed to be accurate and reliable. However, STMicroelectronics assumes no responsibility for the consequences of use of such information nor for any infringement of patents or other rights of third parties which may result from its use. No license is granted by implication or otherwise under any patent or patent rights of STMicroelectronics. Specifications mentioned in this publication are subject to change without notice. This publication supersedes and replaces all information previously supplied. STMicroelectronics products are not authorized for use as critical components in life support devices or systems without express written approval of STMicroelectronics.

The ST logo is a registered trademark of STMicroelectronics.
All other names are the property of their respective owners

© 2004 STMicroelectronics - All rights reserved

STMicroelectronics GROUP OF COMPANIES

Australia - Belgium - Brazil - Canada - China - Czech Republic - Finland - France - Germany - Hong Kong - India - Israel - Italy - Japan -
Malaysia - Malta - Morocco - Singapore - Spain - Sweden - Switzerland - United Kingdom - United States

www.st.com