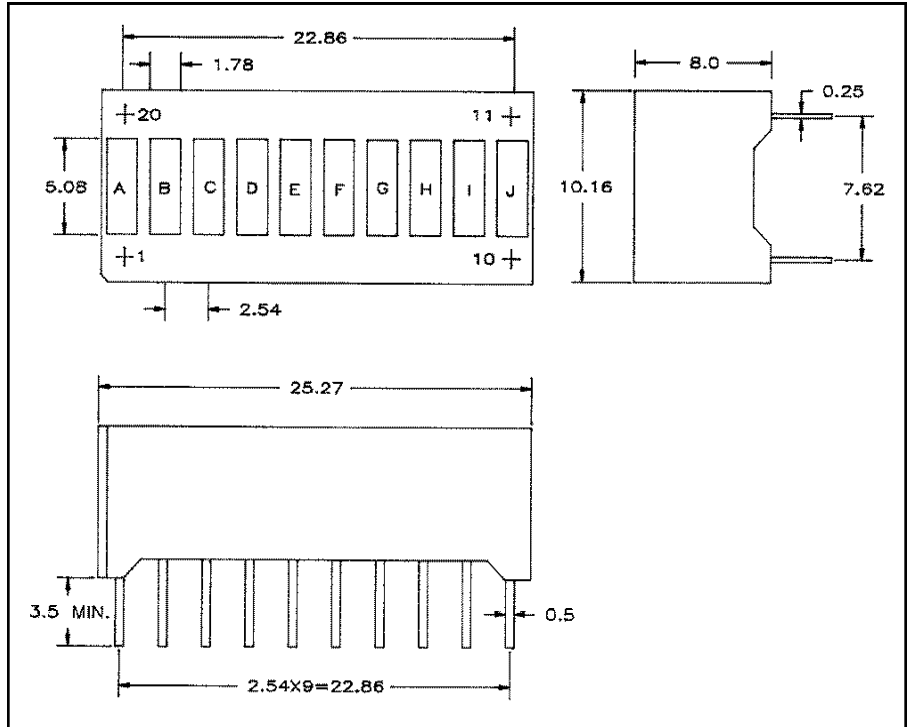


Features

Solid state reliability
 Hi-efficiency red and green
 Grey surface/white epoxy



Series Line-Up

Part Number	Color	Material
MTB10062-HRG	High Efficiency Red	GaAsP
	Yellow Green	GaP

Maximum Ratings (Ta=25°C)

Part Number	Forward Current I _F	Reverse Voltage V _R	Power Dissipation P _D	Operating Temperature T _{opr}	Storage Temperature T _{stg}
MTB10062-HRG	30	5	85.00	-25 ~ +85	-25 ~ +100
	30	5	85.00	-25 ~ +85	-25 ~ +100
Unit	mA	V	mW	°C	°C

Company Headquarters
 120 Broadway
 Menands, New York 12204
 Toll Free: 800.984.5337
 Fax: 518.432.7454

West Coast Sales Office
 950 South Coast Drive, Suite 265
 Costa Mesa, California 92626
 Toll Free: 800.984.5337
 Fax: 714.850.9314

Electrical and Optical Characteristics (Ta=25°C)

Part Number	PWL nm λ_P	Material	View Angle $2\theta_{1/2}$	Luminous Intensity I_v				Forward Voltage V_F				Rev Current I_R	
				min.	typ.	max.	IF@	min.	typ.	max.	IF@	max.	VR@
MTB10062-HRG	635	GaAsP	-	-	39.00	-	10mA	-	2.10	3.00	20mA	100	5V
	567	GaP	-	-	34.00	-	10mA	-	2.10	3.00	20mA	100	5V
-	nm	-	deg	mcd				-	V		-	μA	-

NOTES:

- All Dimensions are in millimeters.
- Tolerance is ± 0.25 mm unless otherwise stated.
- The slope angle of any pin may be $\pm 5.0^\circ$ MAX.
- Specifications are subject to change without notice.