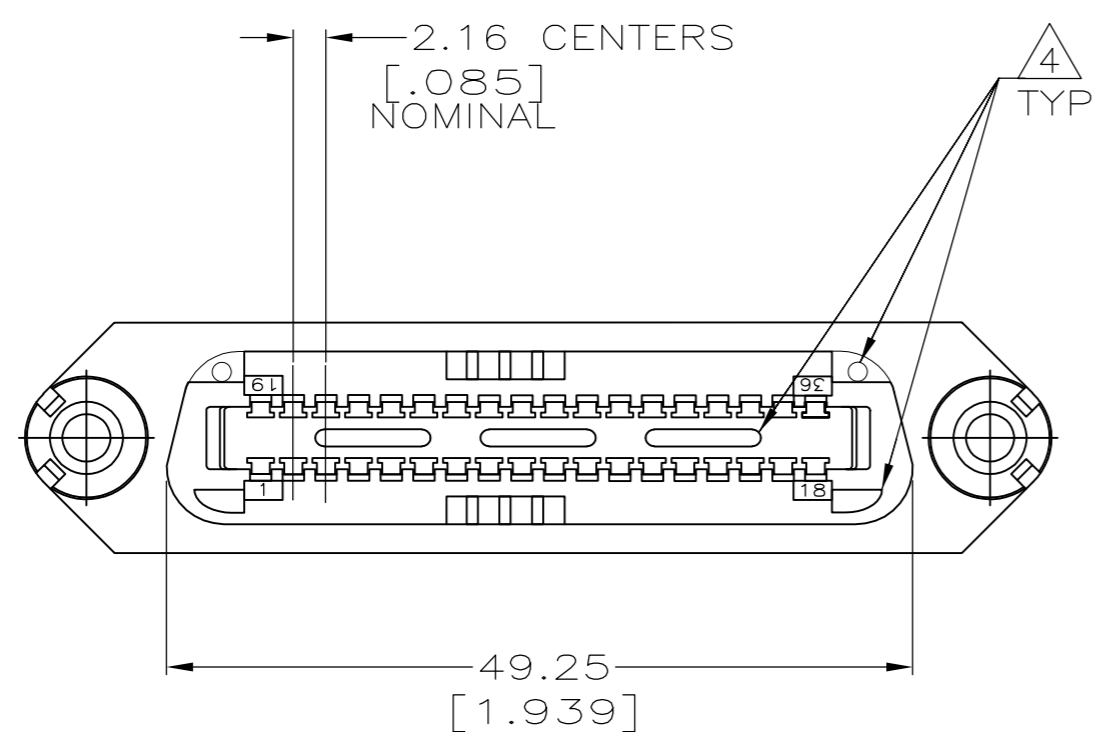
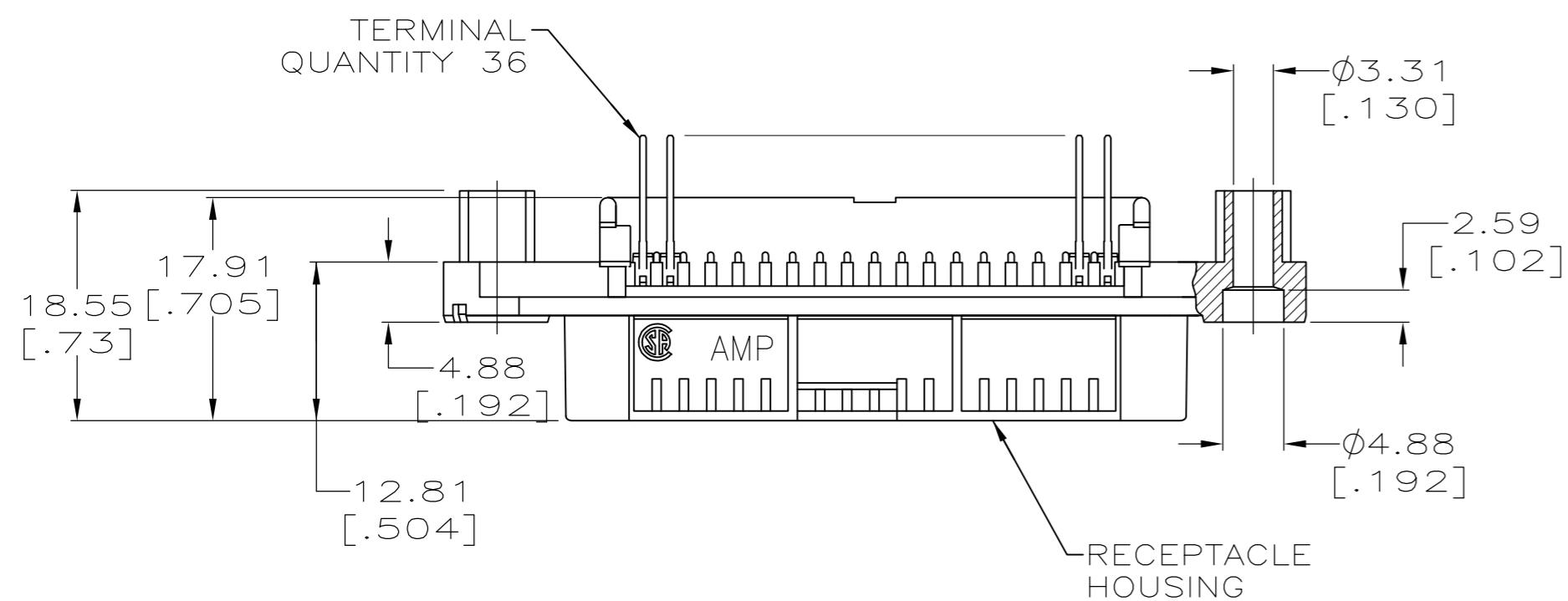
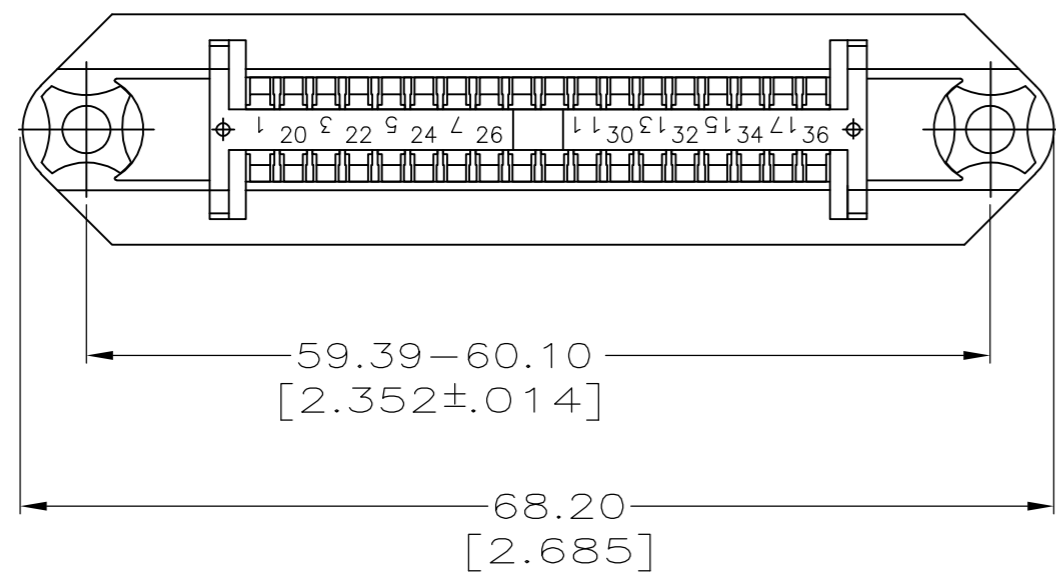


THIS DRAWING IS UNPUBLISHED. RELEASED FOR PUBLICATION  
 © COPYRIGHT BY TYCO ELECTRONICS CORPORATION. ALL RIGHTS RESERVED.

LOC		DIST		REVISIONS			
P	LTR	DESCRIPTION		DATE	DWN	APVD	
GP	00	R		REVISED PER ECO-08-007327	18APR08	BM WM	



- 1. DIMENSIONS ARE MAXIMUM UNLESS OTHERWISE SPECIFIED.
- 2. THE CONTACT SURFACES OF THE TERMINALS ARE COATED WITH LUBRICANT.
- 3. MATERIAL: HOUSING - THERMOPLASTIC, BLACK. TERMINAL - PHOSPHOR BRONZE PLATED WITH 0.76µm [.000030] MIN GOLD PLATE OR GOLD FLASH OVER PALLADIUM NICKEL PLATE, 0.76µm [.000030] MIN TOTAL ON MATING SURFACE. 3.05µm [.000120] MIN MATTE TIN-LEAD PLATE ON TAILS OVER 1.27µm [.000050] MIN NICKEL UNDERPLATE OVER ENTIRE TERMINAL.
- 4. THIS FEATURE IS A CORED AREA AND IS OPTIONAL ON PART.

552235

552235-1  
PART NUMBER

THIS DRAWING IS A CONTROLLED DOCUMENT.		DWN	09APR81	Tyco Electronics Corporation Harrisburg, PA 17105-3608
DIMENSIONS: mm [INCHES]		CHK	14APR81	
TOLERANCES UNLESS OTHERWISE SPECIFIED:		APVD	14APR81	
0 PLC ± - 1 PLC ± - 2 PLC ± - 3 3 PLC ± - 4 PLC ± - ANGLES ± - FINISH 2		NAME	S. HEGE	
MATERIAL		PRODUCT SPEC	APPLICATION SPEC	RECEPTACLE ASSEMBLY, 36 POSITION, VERTICAL MOUNTING WITH STANDOFFS, CHAMP-LOK
		WEIGHT	-	SIZE A2 CAGE CODE 00779 C=552235
CUSTOMER DRAWING		SCALE	2:1	SHEET 1 OF 1 REV R