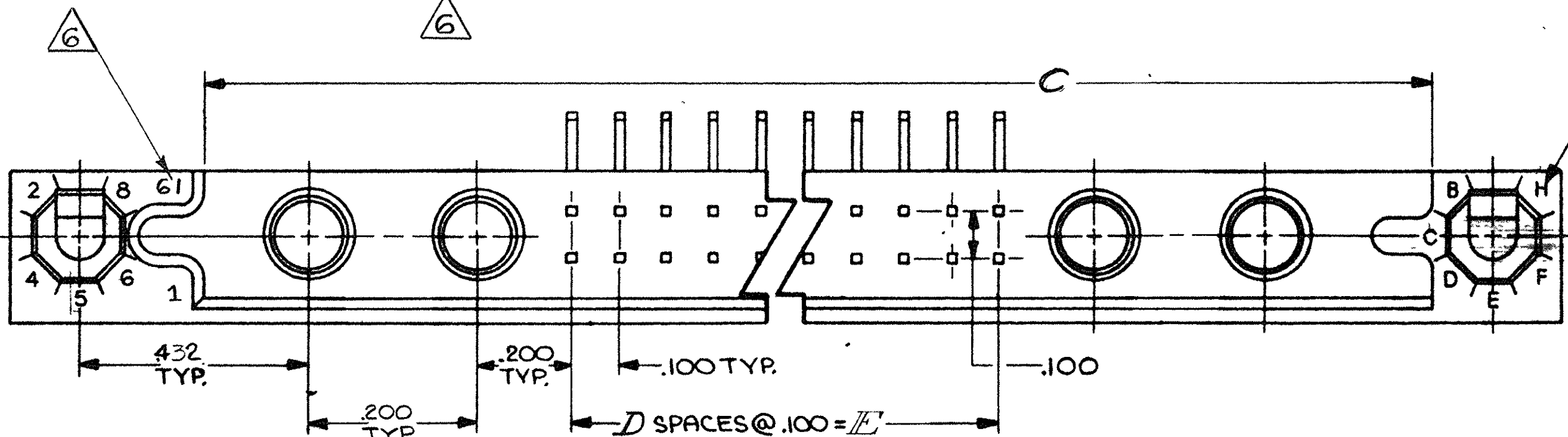
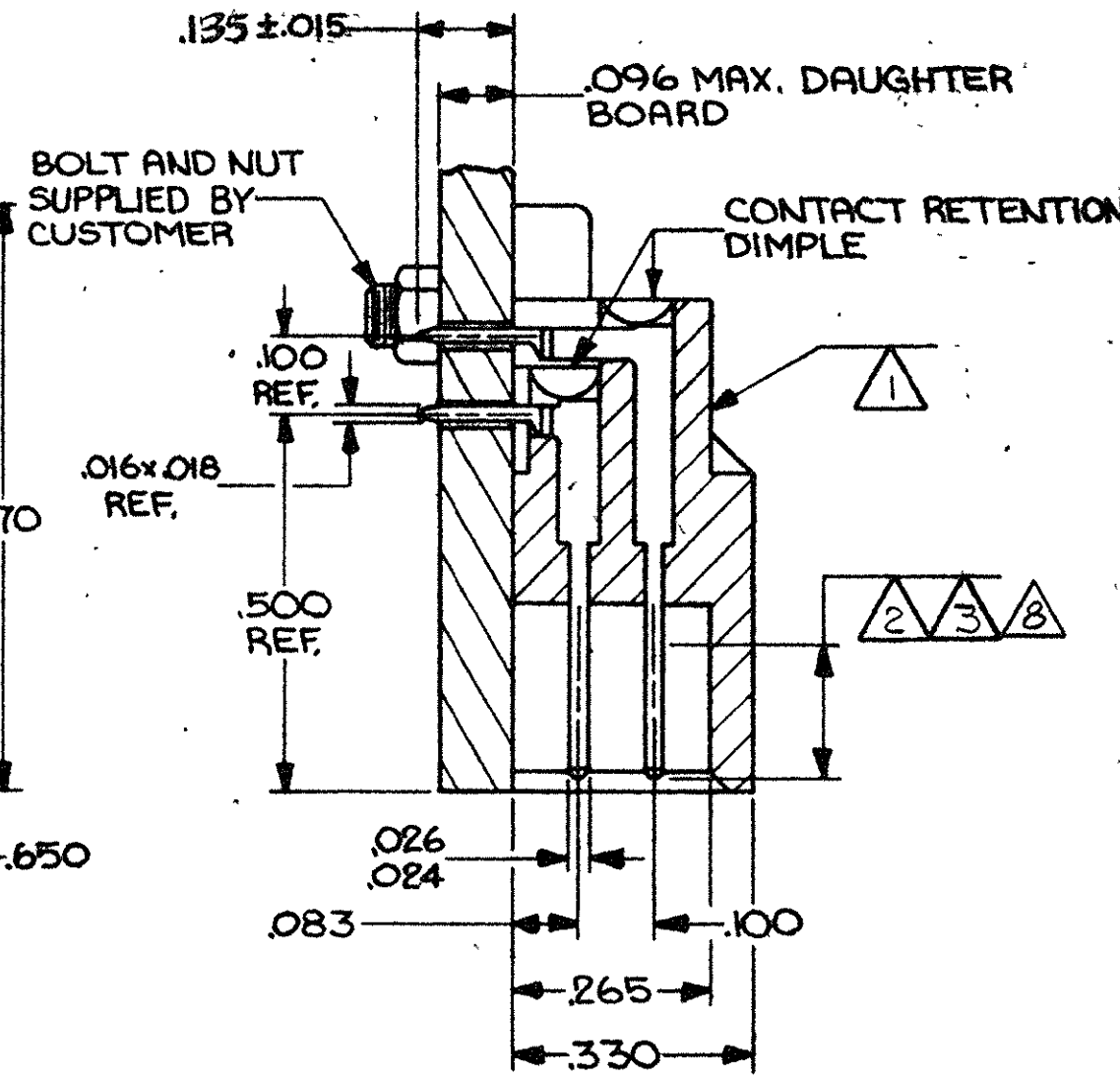
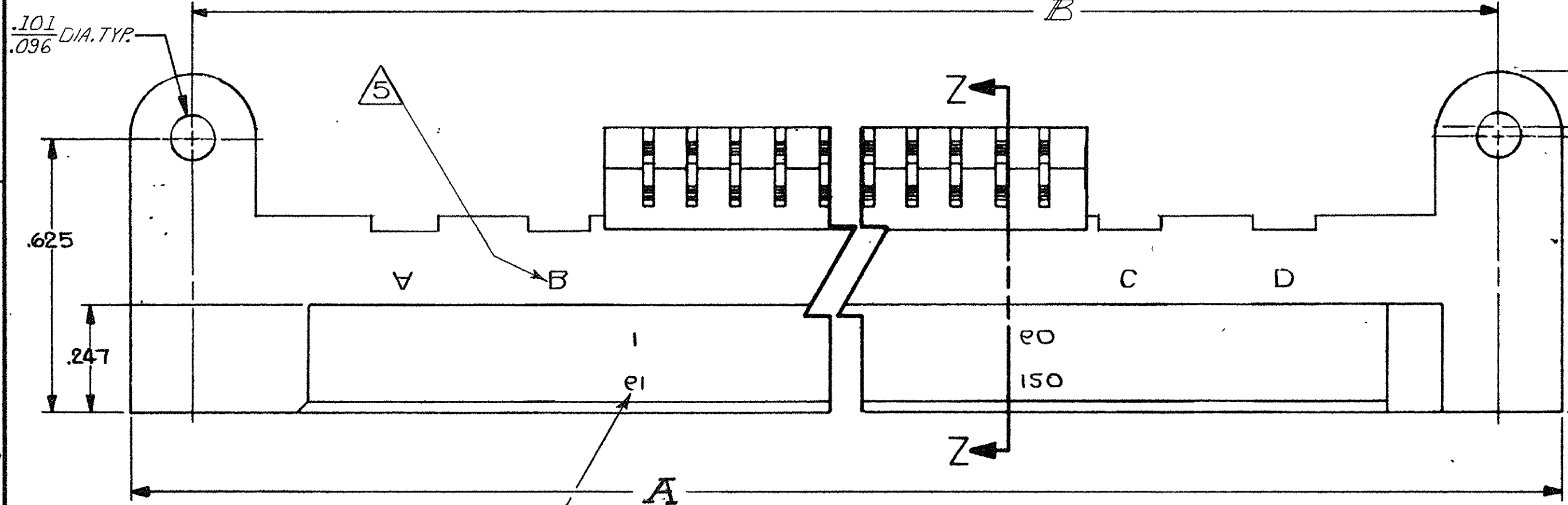
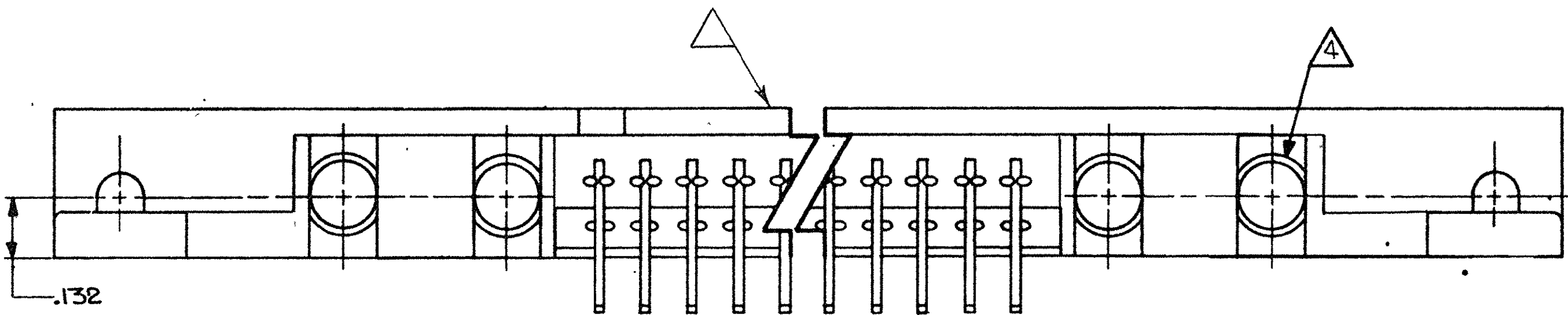


© COPYRIGHT 19 BY AMP INCORPORATED, HARRISBURG, PA.  
ALL INTERNATIONAL RIGHTS RESERVED. AMP INCORPORATED PRODUCTS  
COVERED BY U. S. AND FOREIGN PATENTS AND/OR PATENTS PENDING.

THIS DRAWING IS UNPUBLISHED.

RELEASED FOR PUBLICATION \_\_\_\_\_, 19\_\_.

REVISIONS						
P	F	ZONE	LTR	DESCRIPTION	DATE	APPROVED
✓	✓		O	RELEASED	m.s.	6-84
✓	✓		A	REV PER DF-2126	T.W.	8-89
✓	✓		B	REV PER DF-4316	ASG	8-91
✓	✓		C	REV 0600-5641-96	TT	9-97
			D	REV 0600-6467-97	TT	10-97
			E	REV PER OH14-0202-03	CT	1-04
			F	REV PER OH14-0208-05		1-06
			G	ECO-10-002916	PY	2-10



- 1 HOUSING MAT'L.: GLASS-FILLED POLYESTER, COLOR-BLUE.
- 2 CONTACT FINISH: .000050 NICKEL UNDERPLATE ALL OVER, .000050 GOLD IN THIS AREA, .000100 TIN-LEAD ON TAIL.
- 3 CONTACT MAT'L.: BRASS.
- 4 WILL ACCEPT MICROMINATURE COAX CONTACT AMP P/N 227602-1 & 227604-1 INSERT COAX CONTACT P/N 227602-1 FROM THIS SIDE BEFORE MOUNTING TO P.C. BOARD

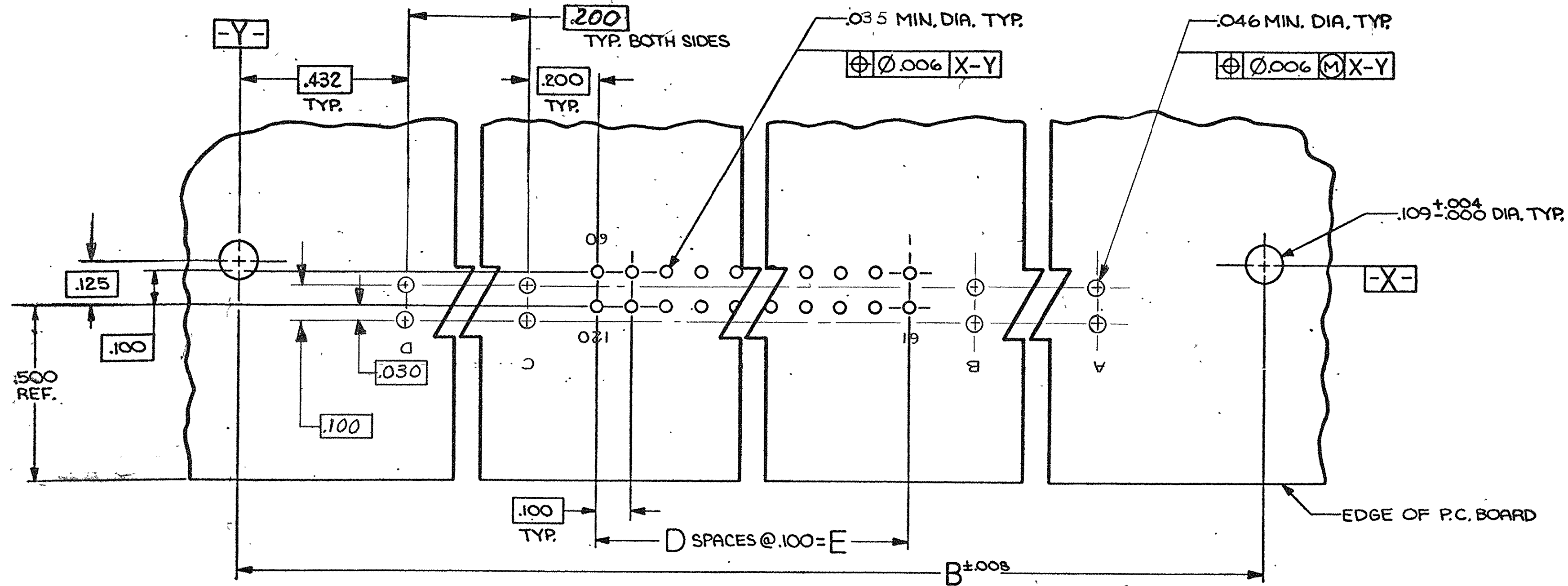
- CONT. PG. 2 -

UNLESS OTHERWISE SPECIFIED DIMENSIONS ARE IN INCHES. TOLERANCES ON: DECIMALS ±.010 ANGLES ±	CONTRACT NO	<b>AMP</b>   AMP INCORPORATED Harrisburg, Pa.	
	MATERIAL	DR. <i>M. Smith</i> 6-4-84 CHR. <i>P.M. Reagan</i> 6/4/84 APPD. <i>P.M. Reagan</i> 6/4/84 APPD. <i>[Signature]</i> 6/18/84	NAME <b>BOX 1001 SERIES PIN HEADER ASSEMBLY WITH COAX</b>
	FINISH	DSGN APPD. OTHER APPD.	SIZE CODE IDENT NO DRAWING NO <b>C 00779 533182</b>
			SCALE 4:1 SHEET 1 OF 2

CUSTOMER DRAWING

THIS DRAWING IS UNPUBLISHED. RELEASED FOR PUBLICATION 19  
 © COPYRIGHT 19 BY AMP INCORPORATED, HARRISBURG, PA. ALL INTERNATIONAL RIGHTS RESERVED. AMP PRODUCTS MAY BE COVERED BY U.S. AND FOREIGN PATENTS AND/OR PATENTS PENDING.

P		F		Z		L		T		R		REVISIONS	
												DATE	APPROVED
(SEE SHEET 1 OF 2)													



RECOMMENDED P.C. BOARD LAYOUT

- 5 COAX POS. (A, B, C & D) MARKED ON OPPOSITE SIDE ONLY
- 6 CONT. POS. MARKED ON OPPOSITE SIDE ONLY. NUMBERS INDICATING EVERY FIFTH CAVITY MARKED ON SIDE. NUMBERS INDICATING END CAVITIES MARKED ON MATING FACE.
- 7 AMP, P/N & DATE CODE MARKED WHITE THIS AREA.
- 8 CONTACT FINISH: .000050 NICKEL UNDERPLATE ALL OVER, .000050 GOLD IN THIS AREA, .000100 TIN ON TAIL

8	1.900	19	3.175	3.565	3.855	4	40	5-533182-3		
2	5.900	59	7.175	7.565	7.855	4	120	1-533182-0		
2	OBS	54	6.675	7.065	7.355	4	110	7-9		
	OBS	49	6.175	6.565	6.855	4	100	4-8		
	OBS	44	5.675	6.065	6.355	4	90	7-7		
	OBS	39	5.175	5.565	5.855	4	80	7-6		
	OBS	34	4.675	5.065	5.355	4	70	7-5		
2	OBS	24	3.675	4.065	4.355	4	50	7-4		
2	1.900	19	3.175	3.565	3.855	4	40	3		
2	1.400	14	2.675	3.065	3.355	4	30	2		
2	OBS	29	4.175	4.565	4.855	4	60	533182-1		
			E	D	C	B	A	NO. OF COAX POS.	NO. OF BOX POS.	PART NO.

UNLESS OTHERWISE SPECIFIED DIMENSIONS ARE IN INCHES. TOLERANCES ON: DECIMALS ±.010 ANGLES ±	CONTRACT NO		AMP   AMP INCORPORATED Harrisburg, Pa. 17105			
	DR	6-4-84				
MATERIAL	CHK	6/4/84	NAME			
	APPD	6/4/84	BOX 1001 SERIES, PIN HEADER ASSEMBLY WITH COAX			
FINISH	APPD	6/4/84	SIZE	FSCM NO	DRAWING NO	REV
	OTHER APPD		C	00779	533182	G
			SCALE	SHEET 2 OF 2		

533182