

**PLEASE CHECK WWW.MOLEX.COM FOR LATEST PART INFORMATION**

**Part Number:** **0530470910**  
**Status:** **Active**  
**Overview:** picoblade  
**Description:** 1.25mm (.049") Pitch PicoBlade™ Wire-to-Board Header, Vertical, with Friction Lock, 9 Circuits

**Documents:**

[3D Model](#) [Product Specification PS-51021-010 \(PDF\)](#)  
[Drawing \(PDF\)](#) [RoHS Certificate of Compliance \(PDF\)](#)

**General**

Product Family PCB Headers  
 Series 53047  
 Application Wire-to-Board  
 Overview picoblade  
 Product Name PicoBlade™

**Physical**

Breakaway No  
 Circuits (Loaded) 9  
 Circuits (maximum) 9  
 Durability (mating cycles max) 30  
 First Mate / Last Break No  
 Glow-Wire Compliant No  
 Guide to Mating Part No  
 Keying to Mating Part None  
 Lock to Mating Part Yes  
 Mated Height (in) 0.205 In  
 Mated Height (mm) 5.20 mm  
 Material - Plating Mating Tin  
 Material - Plating Termination Tin  
 Number of Rows 1  
 Orientation Vertical  
 PC Tail Length (in) 0.091 In  
 PC Tail Length (mm) 2.30 mm  
 PCB Locator No  
 PCB Retention None  
 PCB Thickness Recommended (in) 0.031 In  
 PCB Thickness Recommended (mm) 0.80 mm  
 Packaging Type Tray  
 Pitch - Mating Interface (in) 0.049 In  
 Pitch - Mating Interface (mm) 1.25 mm  
 Polarized to PCB No  
 Shrouded Fully  
 Stackable No  
 Surface Mount Compatible (SMC) No  
 Temperature Range - Operating -40°C to +85°C  
 Termination Interface: Style Through Hole

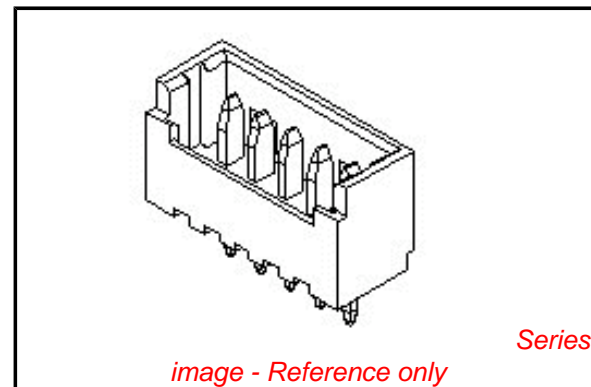
**Electrical**

Current - Maximum per Contact 1A  
 Voltage - Maximum 125V

**Material Info**

**Reference - Drawing Numbers**

Packaging Specification SPK-53047



**EU RoHS**

**ELV and RoHS Compliant**  
**REACH SVHC Contains SVHC: No**  
**Halogen-Free Status**

**China RoHS**



**Need more information on product environmental compliance?**

Email [productcompliance@molex.com](mailto:productcompliance@molex.com)  
 For a multiple part number RoHS Certificate of Compliance, [click here](#)

Please visit the [Contact Us](#) section for any non-product compliance questions.

**Search Parts in this Series**

53047Series

**Mates With**

51021 PicoBlade™ Wire-to-Wire

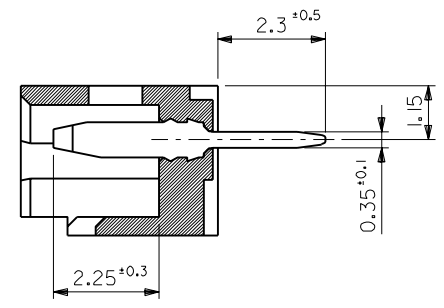
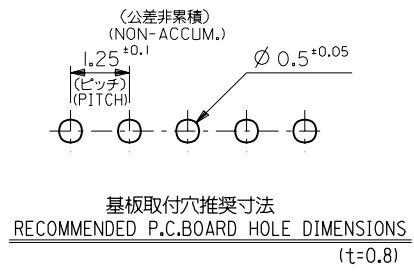
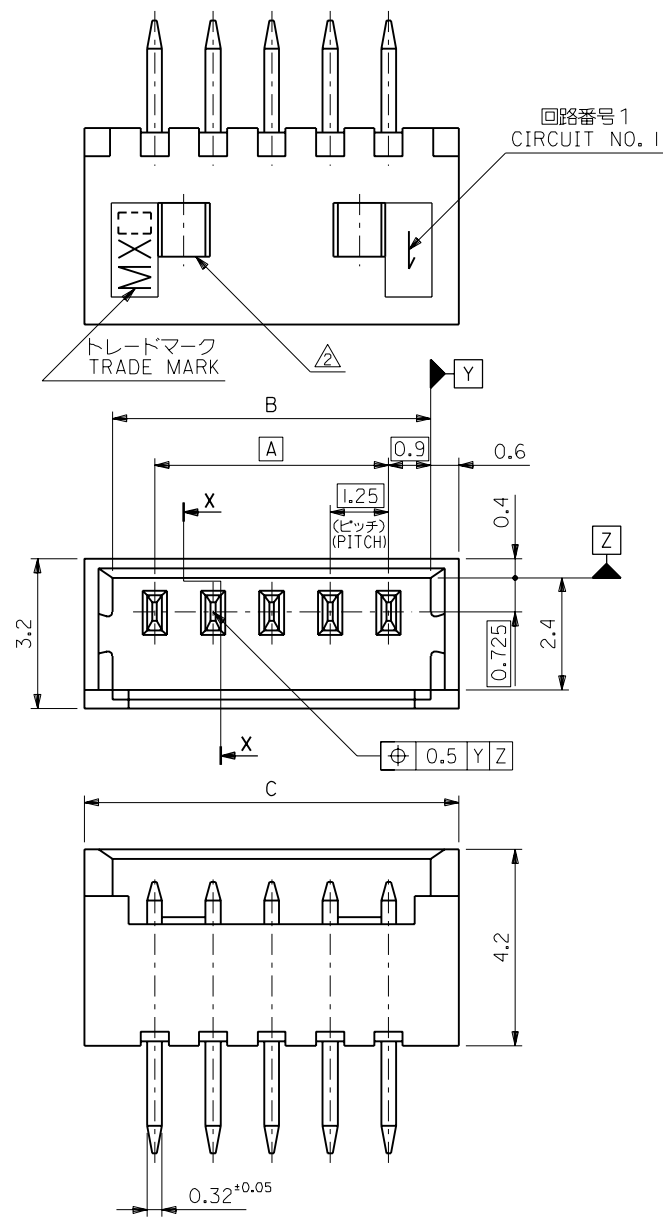
Product Specification

Sales Drawing

PS-51021-010, RPS-51021-007, RPS-51021-011,  
RPS-51021-041, RPS-51021-059, RPS-51021-060,  
RPS-51021-071, RPS-51021-089  
SD-53047-\*\*10

This document was generated on 05/26/2010

**PLEASE CHECK [WWW.MOLEX.COM](http://WWW.MOLEX.COM) FOR LATEST PART INFORMATION**



注記  
NOTES

- 嵌合相手 : 51021 シリーズ  
MATES WITH : 51021 SERIES
- ロック窓は2極と3極は1カ所、4極以上は2カ所とする。  
LOCK WINDOW :  
ONE PLACE FOR 2 AND 3 CKTS.  
TWO PLACES FOR 4 AND MORE THAN 4 CKTS.
- 材料  
ウエハー : 66ナイロン、UL94V-0 (カラー : オフホワイト)  
ピン : リン青銅、錫メッキ (0.9 μm MIN.)  
MATERIAL  
WAFER : 66NYLON, UL94V-0 (COLOR : OFF-WHITE)  
PIN : PHOSPHOR BRONZE, PRE-TINNED (0.9 μm MIN.)

20.5	19.3	17.5	53047-1510	15
19.25	18.05	16.25	-1410	14
18	16.8	15	-1310	13
16.75	15.55	13.75	-1210	12
15.5	14.3	12.5	-1110	11
14.25	13.05	11.25	-1010	10
13	11.8	10	-0910	9
11.75	10.55	8.75	-0810	8
10.5	9.3	7.5	-0710	7
9.25	8.05	6.25	-0610	6
8	6.8	5	-0510	5
6.75	5.55	3.75	-0410	4
5.5	4.3	2.5	-0310	3
4.25	3.05	1.25	53047-0210	2
C	B	A	ENG. NO.	極数 NO. OF CKTS.

材料 MATERIAL		注記3 参照 SEE NOTE 3		molex MOLEX-JAPAN CO.,LTD. 日本モレックス株式会社	
仕上げ FINISH		— — —		REVISE ONLY ON CAD SYSTEM	
適用電線範囲 WIRE RANGE		— — —		TITLE 名称	
被覆外径 INS. RANGE		— — —		1.25 WIRE TO BOARD CONN. WAFER ASS'Y STRAIGHT	
DRAWN BY '94/11/23 H.HIRAMOTO		CHK'D BY '94/11/24 M.FUKUSHIMA		DWG. NO.	
REVISED AND REWORKED		H.H. M.F.		REV	
REVISION RECORD		DR. DATE		SCALE 10 - 1	
E 変更及び再作図 (J40963)		'94/11/23		SD-53047-***10	
LTR 変更内容		DR. CHK. DATE		E	
GENERAL TOLERANCES					