

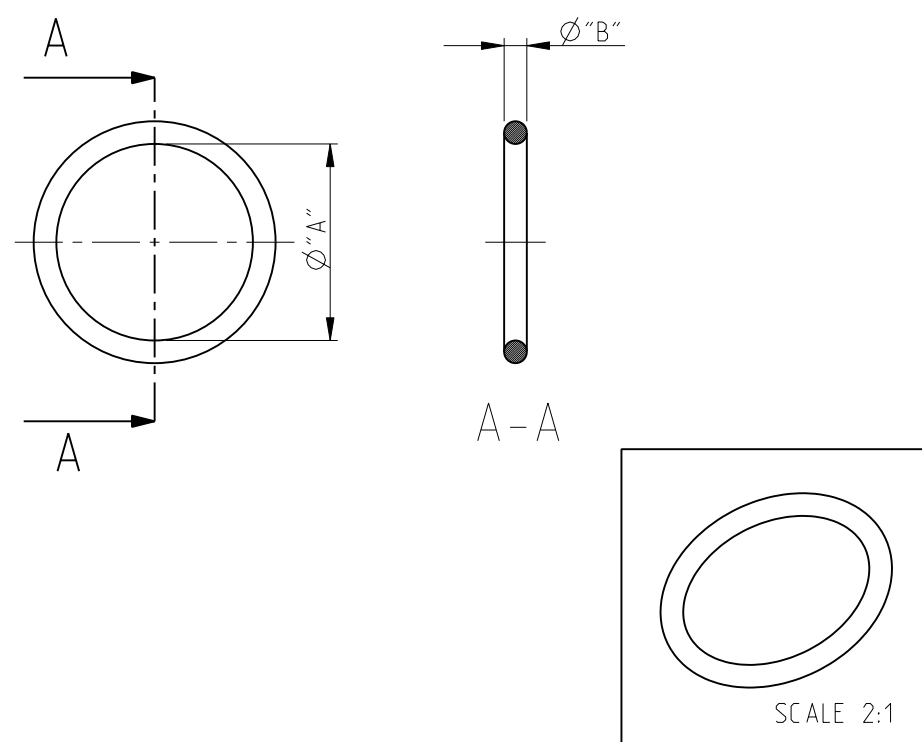
THIS DRAWING IS UNPUBLISHED. RELEASED FOR PUBLICATION
 © COPYRIGHT 1997 BY TYCO ELECTRONICS CORPORATION. ALL RIGHTS RESERVED.

LOC	DIST	REVISIONS			
P	LTR	DESCRIPTION	DATE	DWN	APVD
A1	-	G3	ECR-10-001260	19JAN2010	SR TW
		G4	REVISED PER ECO-09-027197	02FEB10	KK HMR

PART NO	A	B	NBR	FKM	EPDM COND	SERIES	NOTE	ITEM NO
9-9	28.0	2.5	X	-	-	EMV-K3/4	-	50
9-4	3.5	1	X	-	-	AIR	-	49
9-3	4.5	1.5	X	-	-	AIR	-	48
9-2	47.7	3.5	X	-	-	AM-3P	-	47
9-1	11.0	1.0	X	-	-	AM-1P	-	46
8-2	54.0	3.0	X	-	-	AM-3P	-	45
8-1	50.0	3.0	X	-	-	AS-1P	-	44
7-6	168.0	3.0	X	-	-	AM-4P	-	43
7-2	50.0	2.0	-	X	-	Pg42	OBSOLETE	42
7-1	50.0	2.0	X	-	-	Pg42	-	41
6-6	135.0	3.0	X	-	-	AM-4P	-	40
6-2	44.0	2.0	-	X	-	Pg36	OBSOLETE	39
6-1	44.0	2.0	X	-	-	Pg36	-	38
5-6	5.0	1.0	X	-	-	MDC	-	37
5-3	7.0	3.0	X	-	-	AG-M6	-	36
5-2	34.0	2.0	-	X	-	Pg29	COLOR GREY	35
5-1	34.0	2.0	X	-	-	Pg29	-	34
4-6	12.5	2.5	X	-	-	MDC	-	33
4-4	98.0	3.0	-	-	X	HP/EMV 24	OBSOLETE	32
4-3	98.0	3.0	X	-	-	ABB-S0	-	31
4-2	26.0	2.0	-	X	-	Pg21	-	30
4-1	26.0	2.0	X	-	-	Pg21	-	29
3-6	24.0	3.0	X	-	-	MDC	-	28
3-5	64.0	3.0	X	-	-	AH-1P	-	27
3-4	80.0	3.0	-	-	X	HP/EMV 16	OBSOLETE	26
3-3	80.0	3.0	X	-	-	AK-1P	-	25
3-2	20.0	1.5	-	X	-	Pg16	COLOR GREY	24
3-1	20.0	1.5	X	-	-	Pg16	-	23
2-6	250.0	3.0	X	-	-	MDC	-	22
2-5	38.0	3.0	X	-	-	AH 1P	OBSOLETE	21
2-4	67.0	2.8	-	-	X	HP/EMV10	-	20
2-3	67.0	2.8	X	-	-	HP/EMV10	-	19
2-2	18.0	1.5	-	X	-	Pg13.5	OBSOLETE	18
2-1	18.0	1.5	X	-	-	Pg13.5	-	17
1-7	4.0	1.0	-	X	-	ARR1	-	16
1-6	330	5.0	X	-	-	MDC	-	15
1-5	19.0	1.8	X	-	-	Pg-Stv	OBSOLETE	14
1-4	59.0	3.0	-	-	X	HP/EMV6	OBSOLETE	13
1-3	59.0	3.0	X	-	-	HP/EMV6	-	12
1-2	16.0	1.5	-	X	-	Pg11	OBSOLETE	11
1-1	16.0	1.5	X	-	-	Pg11	-	10
0-9	23.52	1.78	-	X	-	HC25	-	9
0-8	26	1.5	-	X	-	HC26	COLOR BLUE	8
0-7	40	2.5	X	-	-	HW G	-	7
0-6	25.0	1.5	X	-	-	ALM	COLOR BLUE	6
0-5	17.5	1.5	-	X	-	HC20	COLOR BLUE	5
0-4	17	1.0	-	X	-	HC20	COLOR BLUE	4
0-3	21.2	2.65	-	X	-	HF-1-EMV-K	-	3
0-2	3.0	1.0	X	-	-	HA-EMV-K	-	2
0-1	13.0	1.5	X	-	-	Pg 09	-	1

NOTES

- PARTS SHALL BE FREE AND CLEAN OF SHARP EDGES AND ALL OTHER FOREIGN MATERIAL NO LOOSE BURRS PERMITTED.
- NBR, 70°±5° SHORE A, BLACK, ACC .TO DIN 3770
- FKM, 70°±5° SHORE A, TEMPERATURE RANGE -30 °C / +200 °C
- EPDM, 65°±5° SHORE A, BLACK, ELECTRICAL CONDUCTIVE, RESISTIVITY: 8.05 x 10³ OHMS PER CM
- PACKAGING PN 0-1, 1000 PIECES MAX. IN A BOX



PART NO	A	B	NBR $\triangle 4$	FKM $\triangle 5$	EPDM COND $\triangle 6$	SERIES	NOTE	ITEM NO
	DIMENSIONS		MATERIAL					

THIS DRAWING IS A CONTROLLED DOCUMENT FOR TYCO ELECTRONICS CORPORATION IT IS SUBJECT TO CHANGE AND THE CONTROLLING ENGINEERING ORGANIZATION SHOULD BE CONTACTED FOR THE LATEST REVISION.		DWN	Rösgen	26.05.1999	Tyco Electronics, AMP, GmbH D-53819 Neunkirchen, Germany		
DIMENSIONS:		CHK	Schweiger	26.05.1999			
mm		APVD	-	-	NAME		
		PRODUCT SPEC	-			O-Ring	
TOLERANCES UNLESS OTHERWISE SPECIFIED: n,ISO 8015 n,ISO 2768-mH-E n,DIN 16901-120 0 PLC ± 1 PLC ± 2 PLC ± 3 PLC ± 4 PLC ± ANGLES ±		APPLICATION SPEC	-			SIZE	A3
MATERIAL		WEIGHT	-			CAGE CODE	©=1106053
		CUSTOMER DRAWING	-			DRAWING NO	©=1106053
		SCALE	1:1			SHEET	1 OF 1
		REV	G4			RESTRICTED TO	-