

H Series

RFI Power Line Filters for UL544 Healthcare Equipment



UL Recognized under UL544
CSA Certified
VDE Approved

H Series

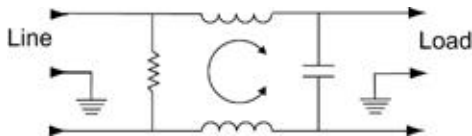
Corcom H series filters were developed specifically for health care applications. These products are suitable for uses in both patient care equipment and nonpatient care equipment. Their extremely low leakage current allows compliance with UL544 and CSA 22.2 health care specifications.

See Appendix C for more information on UL544 health care applications.

The H series features products with a variety of current ratings and case styles. Model 10EH4C additionally incorporates a separate ground circuit inductor to isolate equipment chassis from power line ground at RF frequencies.

Note: When using the models with an IEC connector (e.g. 6EH4), remember that the leakage current of the companion line cord, GA400, is more significant than that of the filter – which may disqualify this line cord from use in patient care applications.

Electrical Schematic



Resistor location for reference only.



Specifications

Maximum leakage current, each		
line-to-ground	@ 120 VAC 60 Hz:	2µA
	@ 250 VAC 50 Hz:	5µA
Hipot rating (one minute):		
line-to-ground		2250 VDC
line-to-line		1450 VDC
Operating frequency:		50/60 Hz
Rated voltage:		120/250 VAC

Minimum insertion loss in dB:

Line-to-ground in 50 ohm circuit

Current Rating	Frequency-MHz					
	.15	.5	1	5	10	30
3A	18	27	30	30	27	18
6A	9	16	20	26	23	18
10A	7	13	15	17	16	14
15A	5	9	11	12	11	9

Line Cord

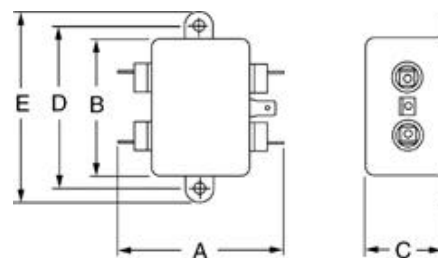
Line Cord No. GA400:

SVT type 7 1/2 foot, 3-conductor line cord to mate with all models except 3EH1 and 3EH3. 50 micro amps maximum leakage @ 120 VAC, 60 Hz.

Case Styles

Metric shown in italics.

EH1



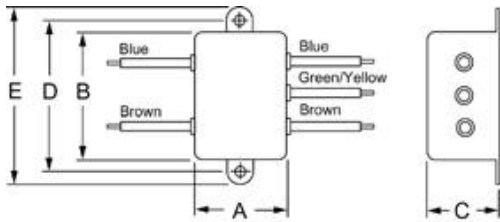
Typical dimensions

Terminals: $\frac{.250}{.635}$ (5) Holes: $\frac{.07}{1.8}$ Dia.(4) Slot: $\frac{.07 \times .16}{1.8 \times 4.1}$ Mounting holes: $\frac{.188}{4.78}$ Dia. (2)

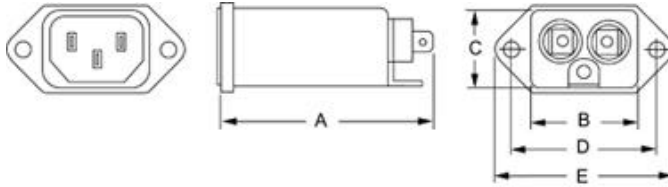
Case Styles

Metric shown in italics.

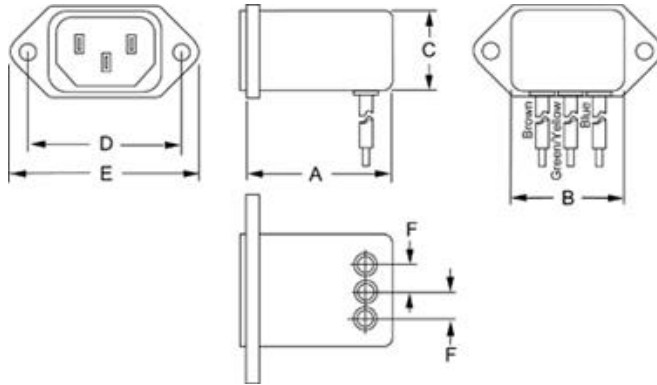
EH3



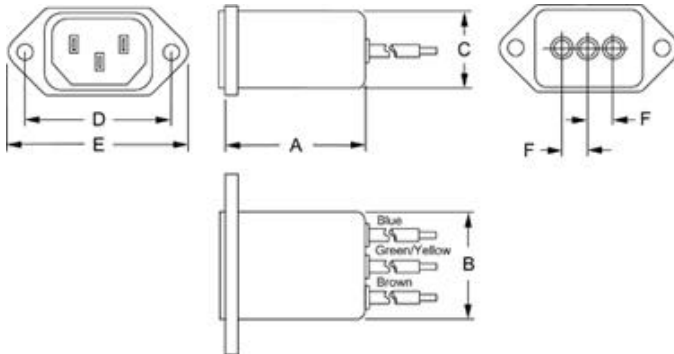
EH4 & EH4C



EH5



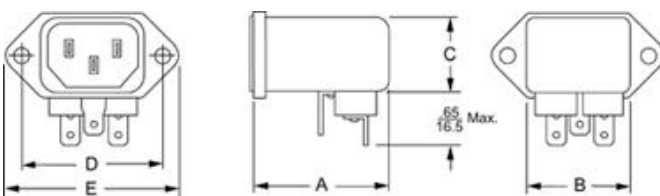
EH8



Typical dimensions

Wire Leads: $\frac{4.0}{101.6}$ Min. 18 AWG Mounting holes: $\frac{.132}{3.35}$ Dia.(2)

EH9



Typical dimensions

Terminals: $\frac{.250}{6.35}$ (3) Holes: $\frac{.07}{1.8}$ Dia.(2) Slot: $\frac{.07 \times .16}{1.8 \times 4.1}$ Mounting holes: $\frac{.132}{3.35}$ Dia. (2)

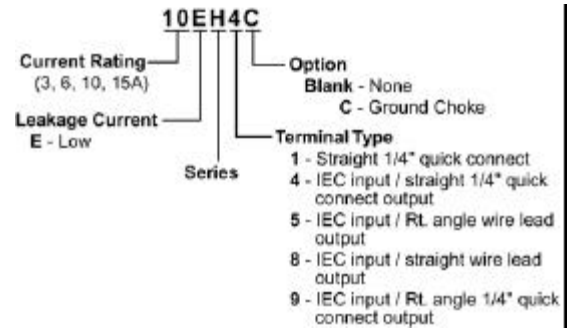
Case Dimensions

Metric shown in italics.

Part No.	A (max)	B (max)	C (max)	D $\begin{smallmatrix} \pm .015 \\ \pm .38 \end{smallmatrix}$	E (max)	F (ref)
3EH1	$\frac{2.25}{57.2}$	$\frac{1.82}{46.1}$	$\frac{0.66}{16.7}$	$\frac{2.125}{53.98}$	$\frac{2.53}{64.2}$	—
3EH3	$\frac{.96}{24.40}$	$\frac{1.82}{46.1}$	$\frac{.66}{16.7}$	$\frac{2.125}{53.98}$	$\frac{2.53}{64.2}$	—
6EH4	$\frac{2.20}{55.9}$	$\frac{1.19}{30.2}$	$\frac{0.81}{20.6}$	$\frac{1.575}{40.01}$	$\frac{1.98}{50.3}$	—
6EH5	$\frac{1.55}{39.4}$	$\frac{1.19}{30.2}$	$\frac{0.85}{21.6}$	$\frac{1.575}{40.01}$	$\frac{1.98}{50.3}$	$\frac{.295}{7.5}$
6EH8	$\frac{1.56}{39.7}$	$\frac{1.19}{30.2}$	$\frac{0.81}{20.6}$	$\frac{1.575}{40.01}$	$\frac{1.98}{50.3}$	$\frac{.295}{7.5}$
6EH9	$\frac{1.55}{39.4}$	$\frac{1.19}{30.2}$	$\frac{0.85}{21.6}$	$\frac{1.575}{40.01}$	$\frac{1.98}{50.3}$	—
10EH4	$\frac{2.62}{66.5}$	$\frac{1.19}{30.2}$	$\frac{0.81}{20.6}$	$\frac{1.575}{40.01}$	$\frac{1.98}{50.3}$	—
10EH4C	$\frac{2.62}{66.5}$	$\frac{1.19}{30.2}$	$\frac{0.81}{20.6}$	$\frac{1.575}{40.01}$	$\frac{1.98}{50.3}$	—
5EH4	$\frac{2.62}{66.5}$	$\frac{1.19}{30.2}$	$\frac{0.81}{20.6}$	$\frac{1.575}{40.01}$	$\frac{1.98}{50.3}$	—

Ordering Information

Consult your local Corcom sales representative for pricing.



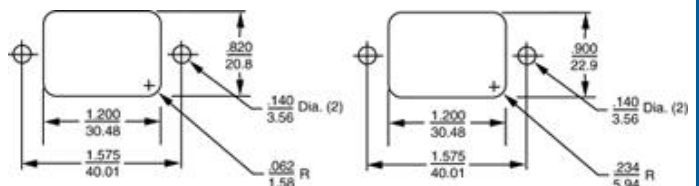
Available Part Numbers

3EH1	6EH8
3EH3	6EH9
6EH1	10EH1
6EH3	10EH3
6EH4	10EH4
6EH5	10EH4C
	15EH4

Line Cord No. GA400

Insulating Boot No. FA601

Recommended Panel Cutouts



Panel cutout (Front mount)

Tolerance $\pm \begin{smallmatrix} .005 \\ 0.13 \end{smallmatrix}$

Panel cutout (Back mount)

Tolerance $\pm \begin{smallmatrix} .005 \\ 0.13 \end{smallmatrix}$

Note 1: EH4, EH4C and EH8 allow front or back mounting.

Note 2: EH5 and EH9 allow back mounting only.