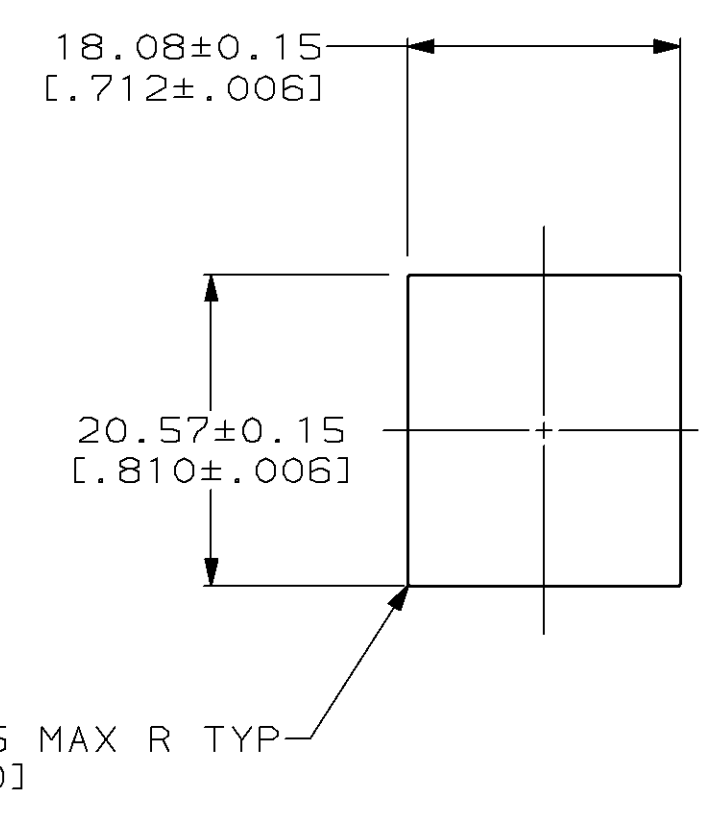
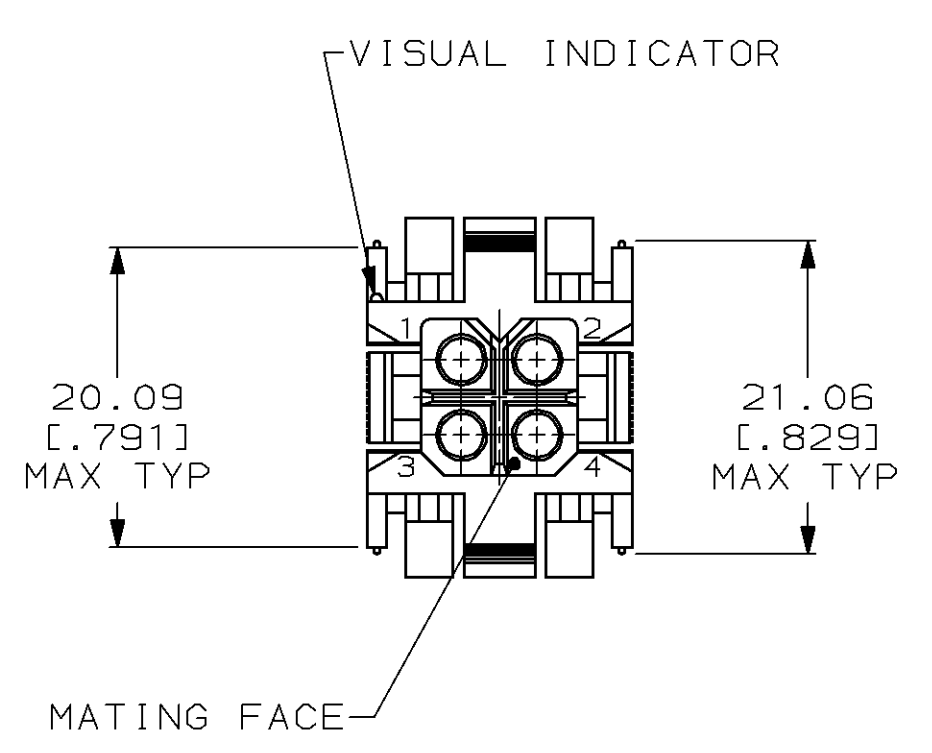
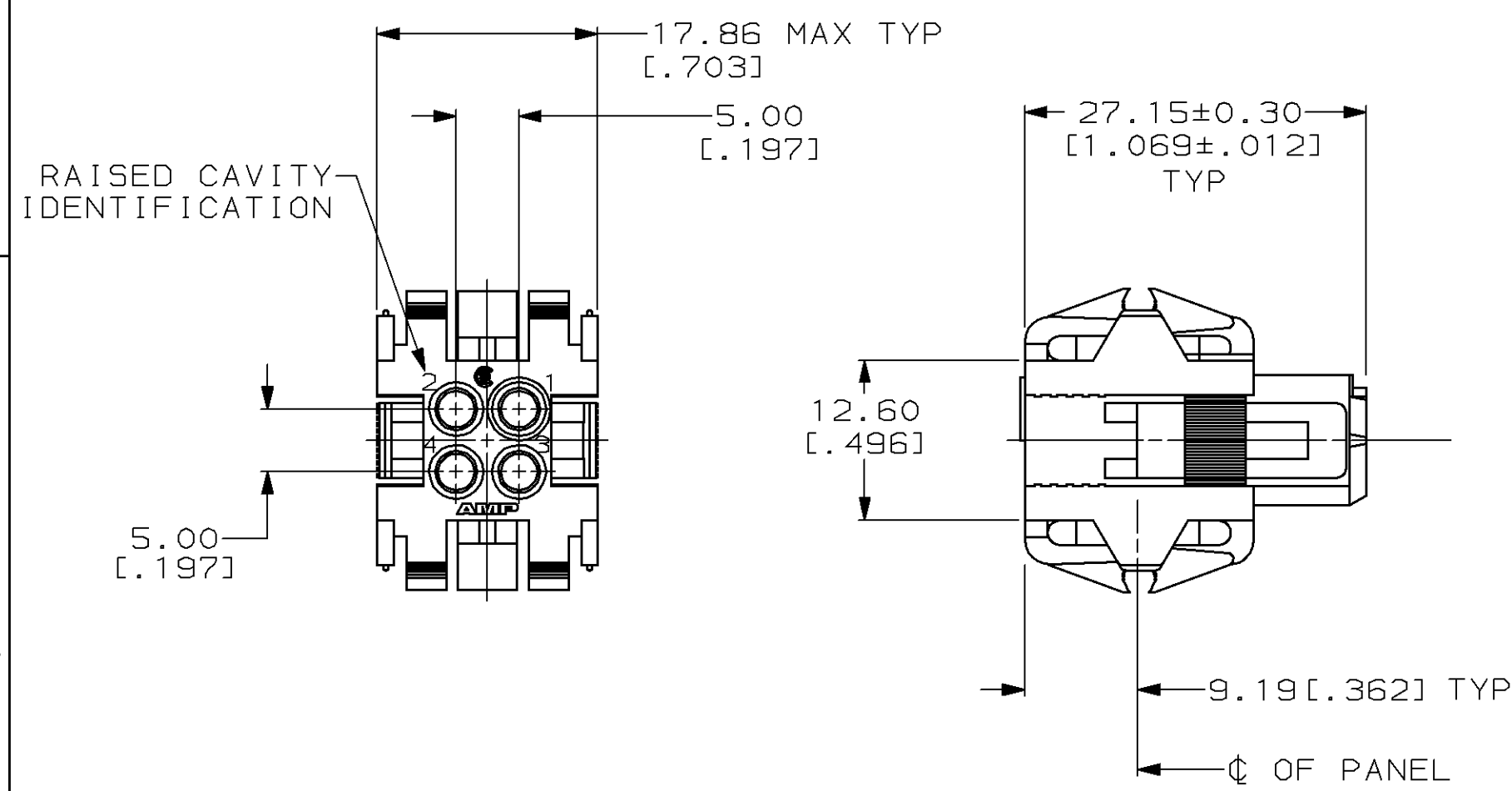


LOC	DIST	P	F	ZONE	LTR	DESCRIPTION	DATE	APPD
FT	13				S	REDRAWN & REVISED PER ECN BD6668	08/26/92	-
					T	REV PER EC 0020-250-94	03/24/94	AT
					U	OBSOLETE -2 PER EC 0020-596-96	09 JAN 97	MM
					V	REACTIVATED -2 & REV PER EC 061C-25-98	11 MAR 98	MM



PANEL CUTOUT

- PANEL RETENTION MECHANISM ACCOMMODATES PANEL THICKNESSES FROM 0.76 [0.030] TO 2.29 [0.090].
- SAME AS 207015-1 EXCEPT: ROUNDED EDGES ON THE OUTSIDE OF THE HOUSING AND A 45° ANGLE ON THE OUTSIDE OF THE HOUSING BY THE LOCKING LATCHES, REF 928095.

207015-2
207015-1
PART NO

DO NOT SCALE PRINT. UNLESS SPECIFIED DIMENSIONS IN mm [INCHES] TOLERANCES ON: 2 PLC DEC ± 0.25 [0.010] 3 PLC DEC ± - ANGLES ± -	DR 08/26/92 W.LENKER CHK 8-31-92 R.STONE APPD 9-2-92 A.TRAVIS APPD 9-3-92 C.ROHDE PRODUCT SPEC 108-10033	AMP Incorporated Harrisburg, PA 17105-3608	
MATERIAL NYLON, COLOR: RED	FINISH -	NAME HOUSING, PLUG, 4 POSITION, METRIMATE	
	APPLICATION SPEC -	SIZE C	CAGE CODE 00779
	WEIGHT -	DRAWING NO G=207015	SHEET 1 OF 1
		SCALE 2:1	

THIS DRAWING IS A CONTROLLED DOCUMENT FOR AMP INCORPORATED. IT IS SUBJECT TO CHANGE AND THE CONTROLLING ENGINEERING ORGANIZATION SHOULD BE CONTACTED FOR THE LATEST REVISION.