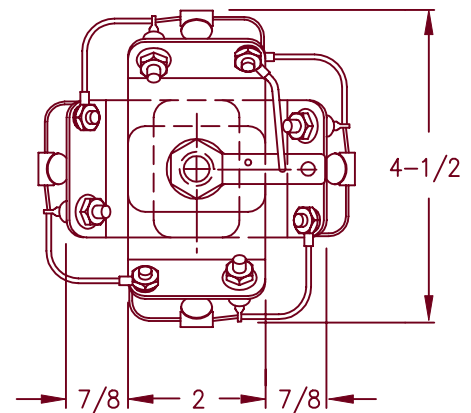
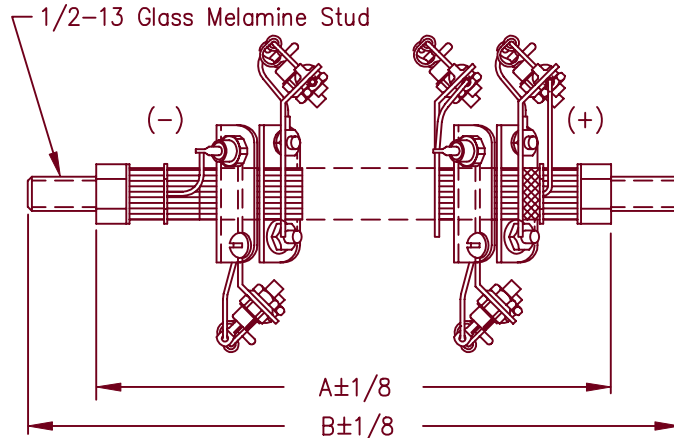


High Voltage Rectifier Assembly JHV34 Series

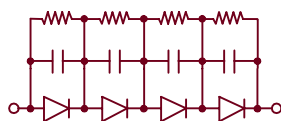


Mounting: Horizontal (convection cooling)

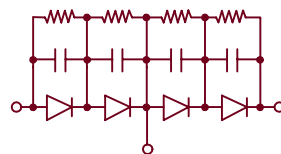
Horizontal or vertical (forced air or oil)

DC output rating— 12 Amps/25°C convection cooled
 — 30.5 Amps/40°C forced air cooled
 @ 1000 LFM
 — 46 Amps/40°C oil cooled

Peak Reverse voltage— from 8KV to 80KV



H = Halfwave



D = Doubler

- Single Phase Halfwave Or Doubler
- Gold Iridited Aluminum Heatsinks
- Each Diode is R-C Compensated
- 800 Amperes Surge Current (1 Cycle)
- Resistive - Inductive Load. Derate 20% for Capacitive Loads

| CATALOG NUMBER | PRV RATING KV | DIMENSION A | DIMENSION B |
|----------------|---------------|-------------|-------------|
| JHV34*8 | 8 | 5-1/8 | 7-1/4 |
| JHV34*12 | 12 | 6-1/4 | 8-1/4 |
| JHV34*16 | 16 | 7-3/8 | 9-1/2 |
| JHV34*20 | 20 | 8-1/2 | 10-1/2 |
| JHV34*24 | 24 | 9-5/8 | 11-3/4 |
| JHV34*28 | 28 | 10-3/4 | 12-3/4 |
| JHV34*32 | 32 | 11-7/8 | 14 |
| JHV34*36 | 36 | 13 | 15 |
| JHV34*40 | 40 | 14-1/8 | 16-1/4 |
| JHV34*44 | 44 | 15-1/4 | 17-1/4 |
| JHV34*48 | 48 | 16-3/8 | 18-1/2 |
| JHV34*52 | 52 | 17-1/2 | 19-1/2 |
| JHV34*56 | 56 | 18-5/8 | 20-3/4 |
| JHV34*60 | 60 | 19-3/4 | 21-3/4 |
| JHV34*64 | 64 | 20-7/8 | 23 |
| JHV34*68 | 68 | 22 | 24 |
| JHV34*72 | 72 | 23-1/8 | 25-1/4 |
| JHV34*76 | 76 | 24-1/4 | 26-1/2 |
| JHV34*80 | 80 | 25-3/8 | 27-1/2 |

*Add H or D For doublers add 1" to both dimensions A & B

3-6-01 Rev. IR

JHV34

