

# Ammo Pack Option DD for 5 mm and 4 mm LED Lamps

## Data Sheet

### Description

5mm and 4 mm through-hole LED lamps are available in ammo pack as specified by the IEC Publication 286 and ANSI/EIA Standard RS-468. The option DD lamp devices have a dimension H of 20.5 mm (0.8071 inch). Dimension H is the vertical distance measured from the centerline of the tape pitch hole to the bottom of the lamp body. Option DD are meant for straight leads ammo packed in 2000 increments for both 5mm and 4mm lamp devices.

### Ordering Information

To order LED lamps packaged in ammo pack, include the appropriate option code in the last 2 digits of the 5 digit options. For example, Agilent part numbering system is as below :

HLMP-xxxx-(1)(2)(3)(4)(5)

Where (1) = Minimum Intensity Bin (refer to appropriate technical datasheet)

(2) = Maximum Intensity Bin (refer to appropriate technical datasheet)

(3) = Color Bin Selection

(4)(5) = Packaging Option where "DD" refers to ammo pack option

Orders must be placed in 2000 increments. Please contact your local Agilent Sales Office or franchised Agilent distributor for a complete list of lamps available in ammo pack.

### Features

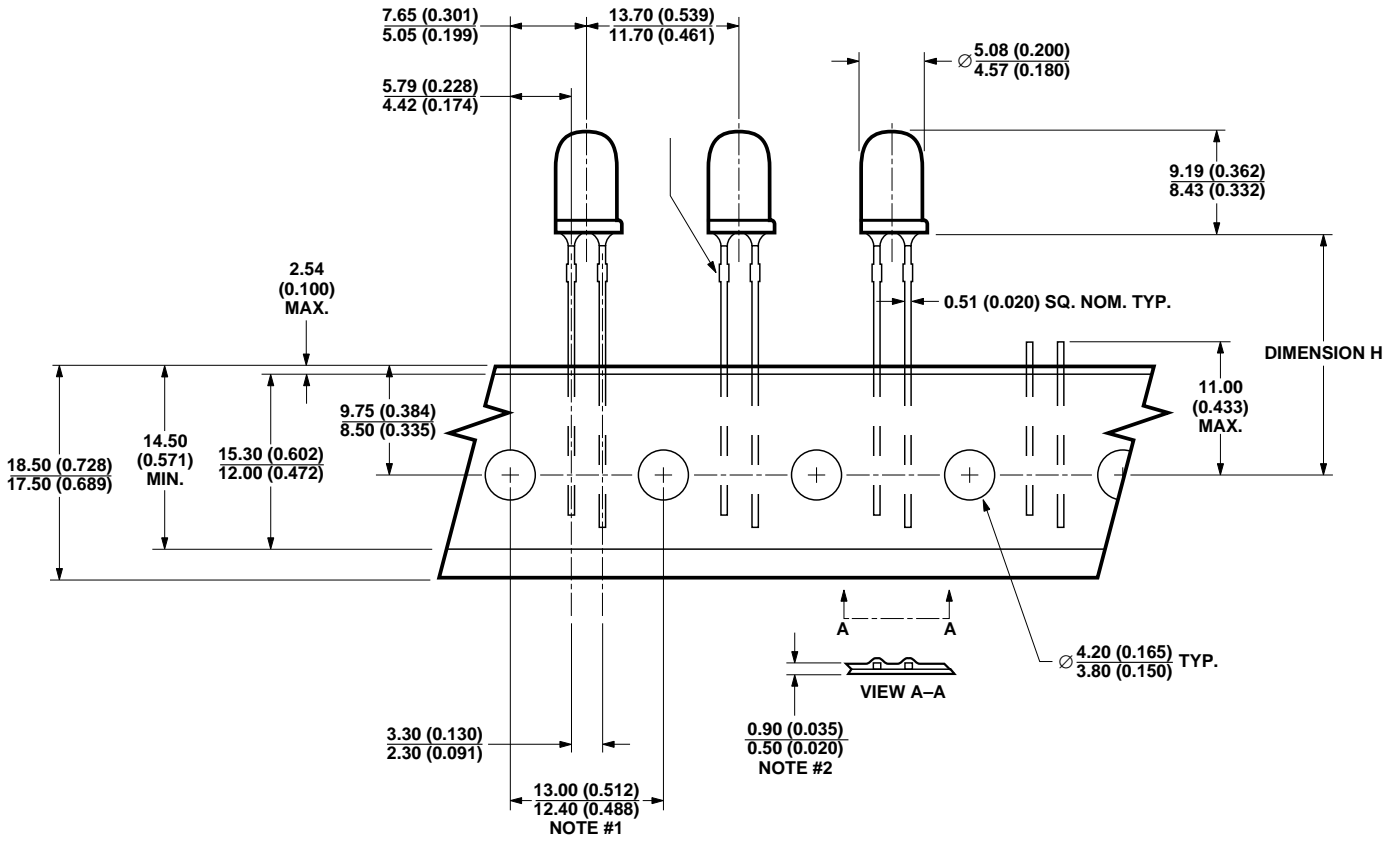
- **Compatible with Radial Lead Automatic Insertion equipment**
- **Meets dimensional specifications of IEC Publication 286 and ANSI/EIA Standard RS-468 for ammo pack**
- **5 mm and 4 mm LED lamps available packaged in ammo pack**

### Absolute Maximum Ratings and Electrical/Optical Characteristics

The absolute maximum ratings, mechanical dimension tolerances and electrical/optical characteristics for lamps packaged in ammo pack are identical to the basic catalog device. Please refer to the basic datasheet for the specified values.



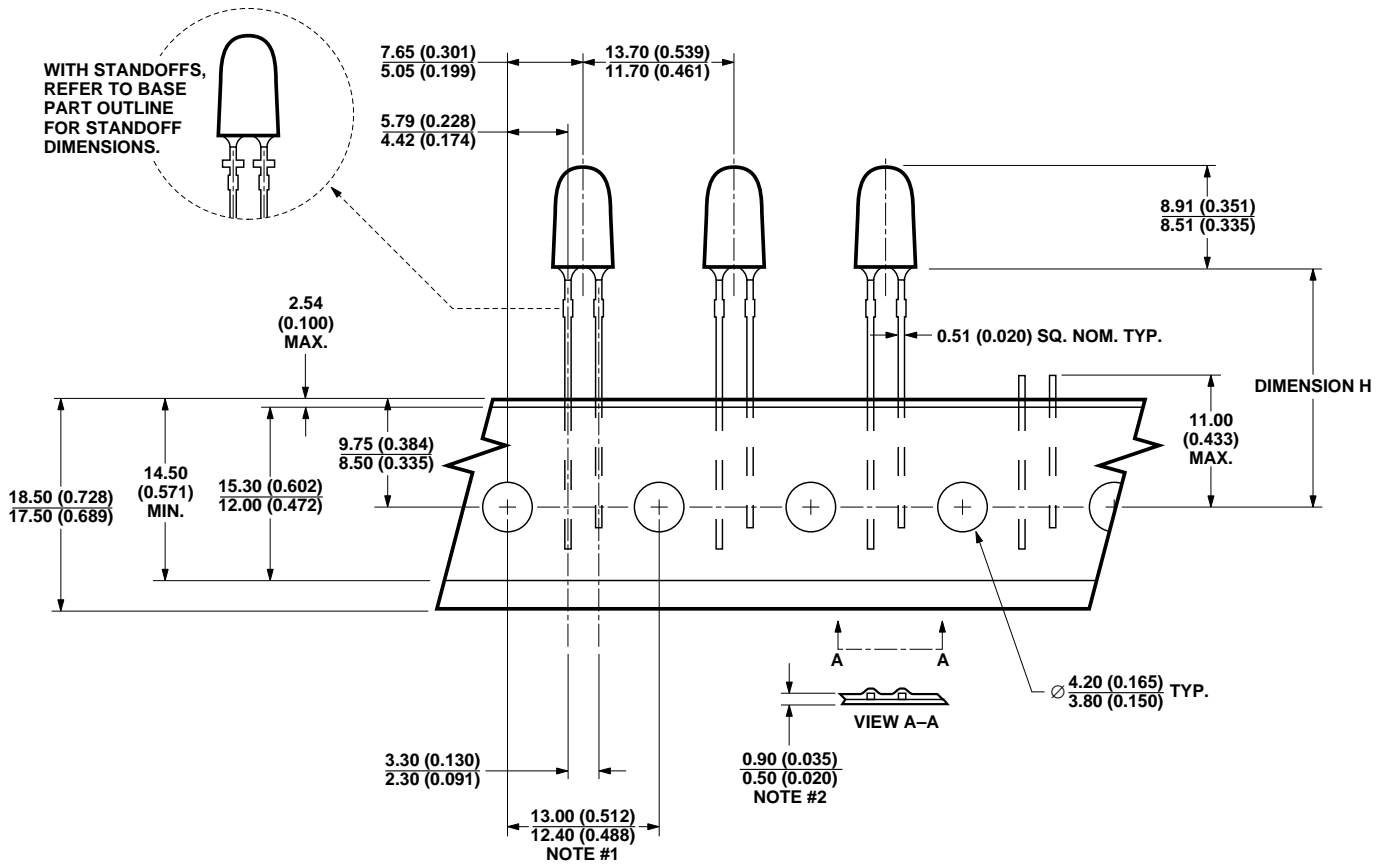
# Ammo Pack LED Configurations and Dimensional Specifications



DIMENSIONS IN MILLIMETERS (INCHES).

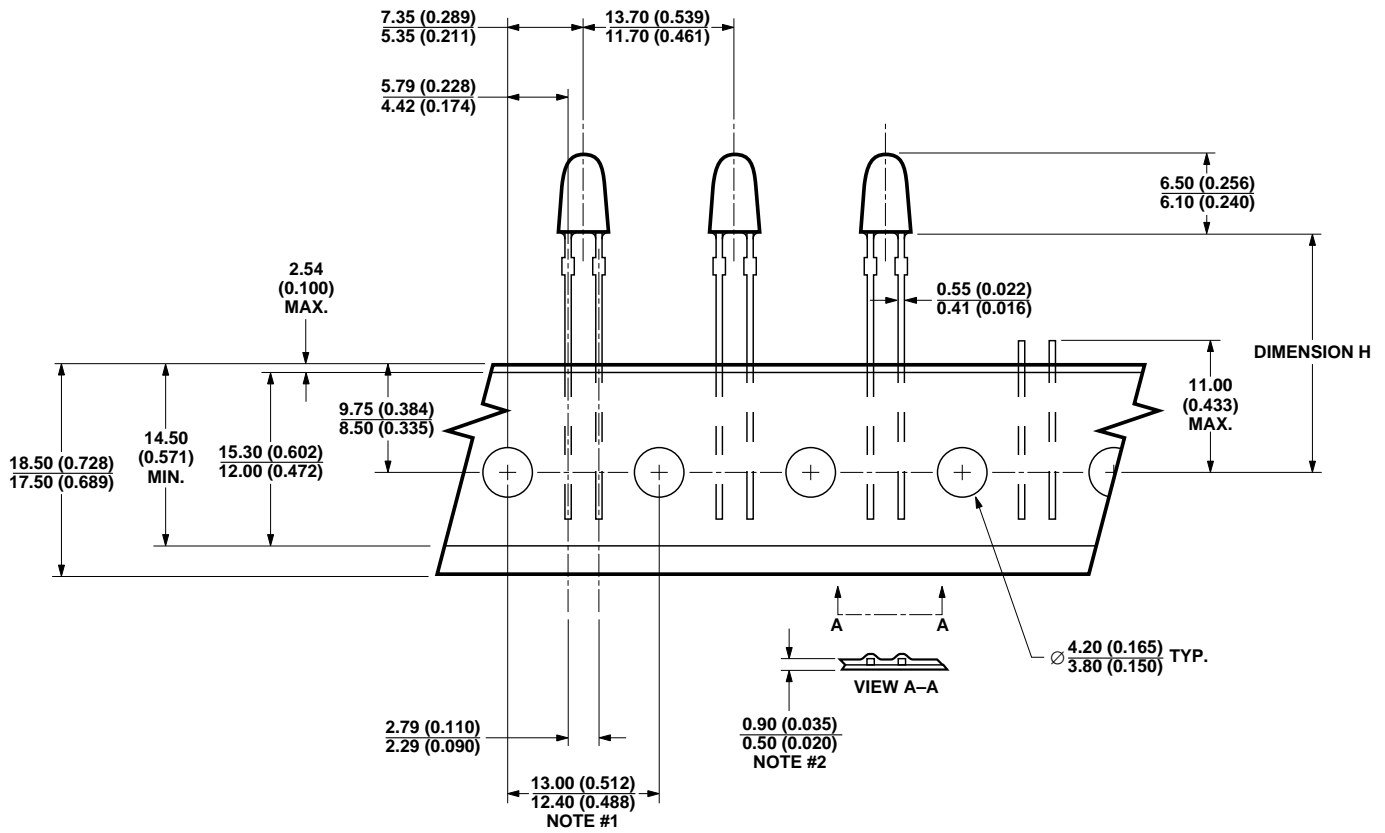
Figure 1. 5 mm LED lamps without standoff.





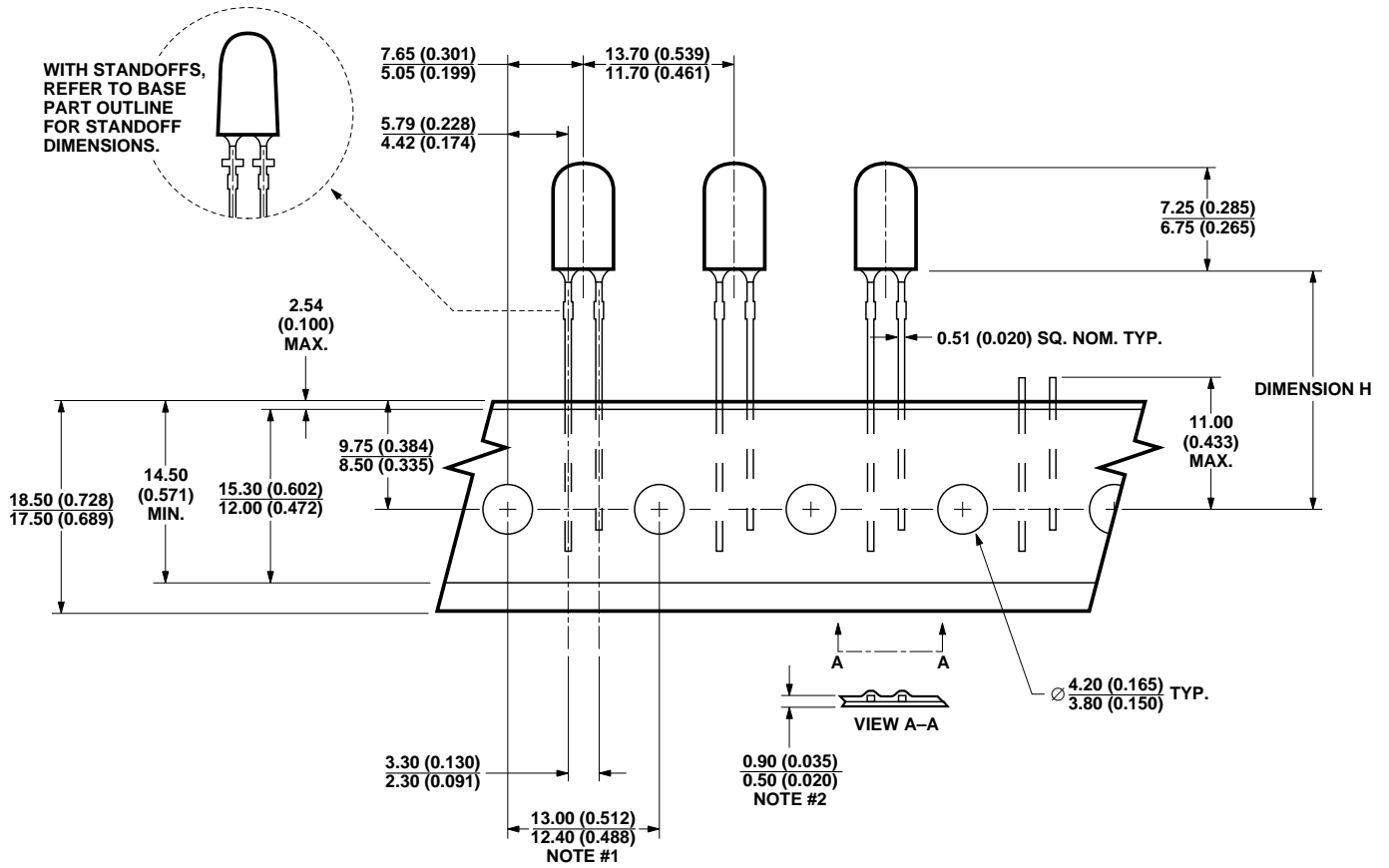
DIMENSIONS IN MILLIMETERS (INCHES).

Figure 3. 5 mm oval (35° x 70°) LED lamps, perpendicular or parallel leadframe, with or without standoff.



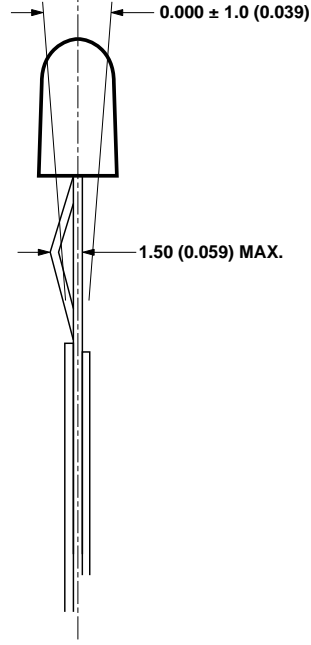
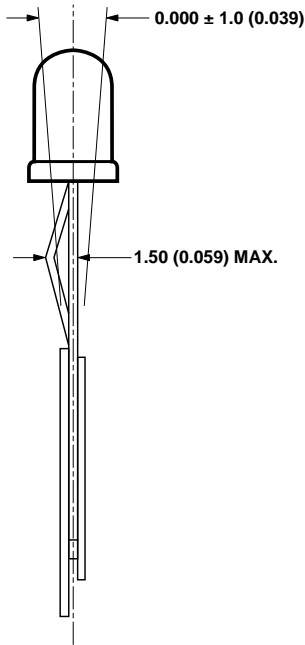
DIMENSIONS IN MILLIMETERS (INCHES).

Figure 4. 4 mm oval LED lamps, perpendicular or parallel leadframe, with standoff.



DIMENSIONS IN MILLIMETERS (INCHES).

Figure 5. 5 mm oval (40° x 100°) LED lamps, parallel leadframe, with or without standoff.

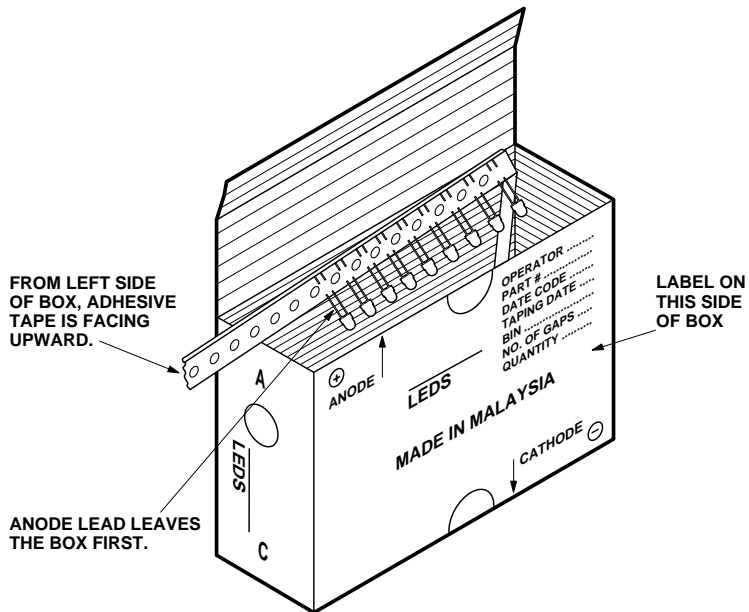


- NOTES:
1. CUMULATIVE ERROR: 1.0 mm/20 PITCH.
  2. PAPER THICKNESS: MAXIMUM 0.55 (0.022), MINIMUM 0.45 (0.018).
  3. DIMENSIONS IN mm (inches) MAXIMUM/MINIMUM.
  4. DIMENSION H = 20.50 ± 1.0 (0.8071 ± 0.0394).

Figure 6. Front to rear alignment for 5 mm LED lamps.

Figure 7. Front to rear alignment for 5 mm and 4 mm oval LED lamps.

### Ammo Pack Labeling



- NOTES:
1. MINIMUM LEADER LENGTH AT EITHER END OF TAPE IS 3 BLANK SPACES.
  2. THE MAXIMUM NUMBER OF CONSECUTIVE MISSING LAMPS IS 3.
  3. IN ACCORDANCE WITH EIA AND IEC SPECS, THE ANODE LEAVES FIRST.

**[www.agilent.com/semiconductors](http://www.agilent.com/semiconductors)**

For product information and a complete list of distributors, please go to our web site.

For technical assistance call:

Americas/Canada: +1 (800) 235-0312 or (408) 654-8675

Europe: +49 (0) 6441 92460

China: 10800 650 0017

Hong Kong: (+65) 6271 2451

India, Australia, New Zealand: (+65) 6271 2394

Japan: (+81 3) 3335-8152(Domestic/International), or 0120-61-1280(Domestic Only)

Korea: (+65) 6271 2194

Malaysia, Singapore: (+65) 6271 2054

Taiwan: (+65) 6271 2654

Data subject to change.

Copyright © 2002 Agilent Technologies, Inc.

May 3, 2002

5988-6282EN



**Agilent Technologies**