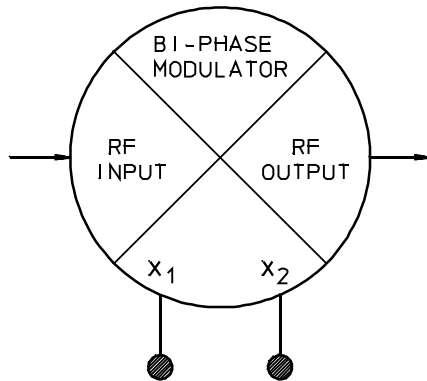




BPF-2A Series

BIPHASE MODULATORS

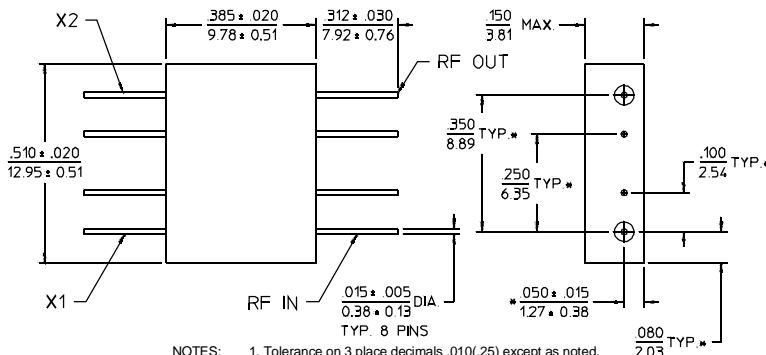
2 TO 2500 MHz / ECL & TTL Compatible / Hi-Rel Hermetic Package



PRINCIPAL SPECIFICATIONS

Model Number	Frequency Range, MHz	Insertion Loss, dB, Max. Typ.		Amplitude Balance, dB, Max. Typ.		Phase Balance Max. Typ.		Carrier Suppression, Typ.
BPF-2A-250	2 – 500	3.5	2.5	0.3	0.10	±4°	±2°	– 40 dBc
BPF-2A-500	10 – 500	3	2	0.3	0.20	±3°	±1°	– 40 dBc
	500 – 1000	4	3	0.5	0.20	±4°	±2°	– 35 dBc
BPF-2A-1500	1000 – 2000	6	5	0.75	0.25	±5°	±2°	– 30 dBc
BPF-2A-2250	1500 – 2500	6	5	1.0	0.25	±5°	±2°	– 30 dBc

A - Flatpack Outline



- NOTES:
1. Tolerance on 3 place decimals .010(.25) except as noted.
 2. Dimensions in inches over millimeters.
 3. Lead dimensions apply only at body.
 4. All unmarked pins are case ground.

GENERAL SPECIFICATIONS

Impedance:	50 Ω nom.
RF Input Level:	– 3 dBm max.
VSWR:	2.0:1 max.
Switching Speed:	2 nS typ.
Data Levels:	Logic 1: +15 mA Logic 0: –15 mA
Weight, nominal:	0.1 oz (2.8 g)
Operating Temperature:	– 55° to +85°C

General Notes:

1. The BPF-2A series of Biphase Modulators covers the frequency range of 2 to 2500 MHz and can be driven directly by TTL or ECL drivers .
2. Models are available for applications up to 3.6 GHz with very fast switching speeds. Customized versions are available for special frequency bands matched to your special applications.
3. Most units are available in a variety of alternative packages such as the TO-8, Meri-Pac™ or connectorized packages. Integral TTL or ECL drivers may be included in the larger packages.
4. Merrimac Biphase Modulators cover a variety of frequency bands while providing wide bandwidths suitable for most applications.
5. All units comply with applicable sections of MIL-M-28837 and may be supplied screened for compliance with additional specifications for military and space applications requiring the highest reliability.

22Feb96