

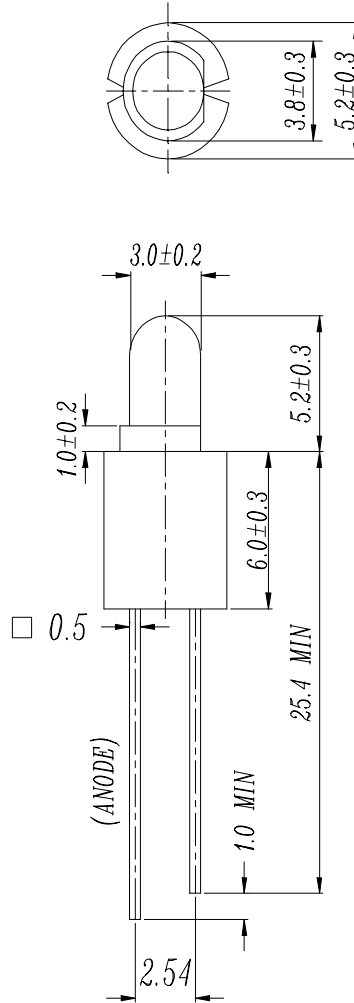


EVERLIGHT ELECTRONICS CO.,LTD.

Device Number : DAE-215-001 REV: 1.0

PART NO : A2154-10B/SURD/S530-A2 ECN : Page: 1/5

■ Package Dimensions:



■ Notes:

- 1.All dimensions are in millimeters, tolerance is 0.25mm except being specified
- 2.Lead spacing is measured where the lead emerges from the package

LED PART NO	Chip		Lens Color
	Material	Emitted Color	
204-10SURD/S530-A2	AlGaInP	Hyper Red	Red Diffused

OFFICE : NO. 25,Lane 76,Sec.3, Chung Yang Rd., Tucheng 236, Taipei, Taiwan, R.O.C.

TEL : 886-2-2267-2000,2267-9936

FAX : 886-2-2267-6244,22676189,22676306



EVERLIGHT ELECTRONICS CO.,LTD.

Device Number : DAE-215-001 REV: 1.0

PART NO : A2154-10B/SURD/S530-A2 ECN : Page: 2/5

■ Descriptions:

- 1.ARRAY=Plastic Holder+Combination of Lamps
- 2.The array will easily mount the applicable lamps on any panel

■ Features:

- 1.Low power consumption
- 2.High efficiency and low cost
- 3.Good control and free combinations on the colors of LED lamps
- 5.Good lock and easy to assembly
- 6.Stackable and easy to assembly
- 7.Stackable vertically and easy to assembly
- 8.Versatile mounting on PCB or panel
- 9.Stackable horizontally and easy to assembly

■ Applications:

- 1.Used as indicators of indicating the degrees, functions, positions etc, in electronic instruments.

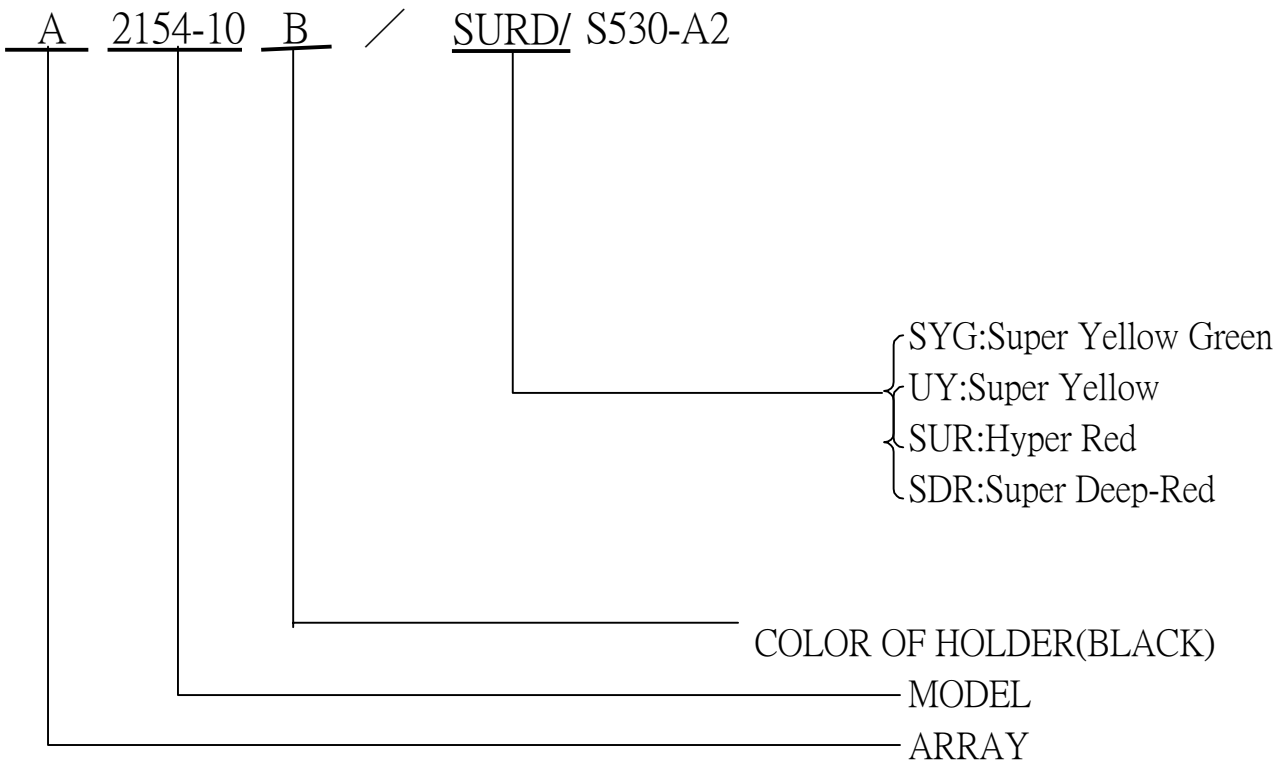


EVERLIGHT ELECTRONICS CO.,LTD.

Device Number : DAE-215-001 REV: 1.0

PART NO : A2154-10B/SURD/S530-A2 ECN : _____ Page: 3/5

■ LED LAMP ARRAYS SELECTION GUIDE:





EVERLIGHT ELECTRONICS CO.,LTD.

Device Number : DAE-215-001 REV: 1.0

PART NO : A2154-10B/SURD/S530-A2

ECN : Page: 4/5

Absolute Maximum Ratings at Ta= 25°C

Parameter	Symbol	Rating	Unit
Forward Current	If	25	mA
Operating Temperature	Topr	-40 to +85	°C
Storage Temperature	Tstg	-40 to +100	°C
Soldering Temperature	Tsol	260 ± 5	°C
Electrostatic Discharge	ESD	2000	V
Power Dissipation	Pd	60	mW
Peak Forward Current(Duty 1/10 @ 1KHZ)	If(Peak)	160	mA
Reverse Voltage	Vr	5	V

Electronic Optical Characteristics :

Parameter	Symbol	Min.	Typ.	Max.	Unit	Condition
Luminous Intensity	Iv	160	250	/	mcd	If= 20 mA
Viewing Angle	2θ 1/2	/	30	/	deg	If= 20 mA
Peak Wavelength	λ p	/	624	/	nm	If= 20 mA
Dominant Wavelength	λ d	/	632	/	nm	If= 20 mA
Spectrum Radiation Bandwidth	Δ λ	/	20	/	nm	If= 20 mA
Forward Voltage	Vf	/	2.0	2.4	V	If= 20 mA
Reverse Current	Ir	/	/	10	μ A	Vr= 5 V



■ Typical Electro-Optical Characteristic Curves

