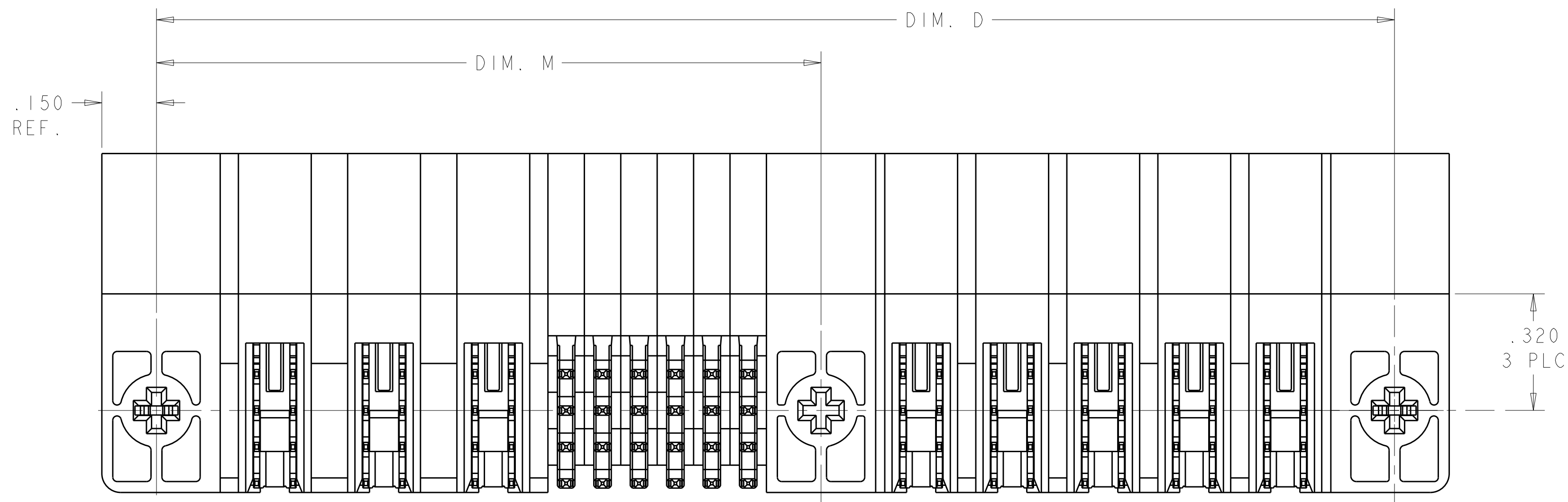
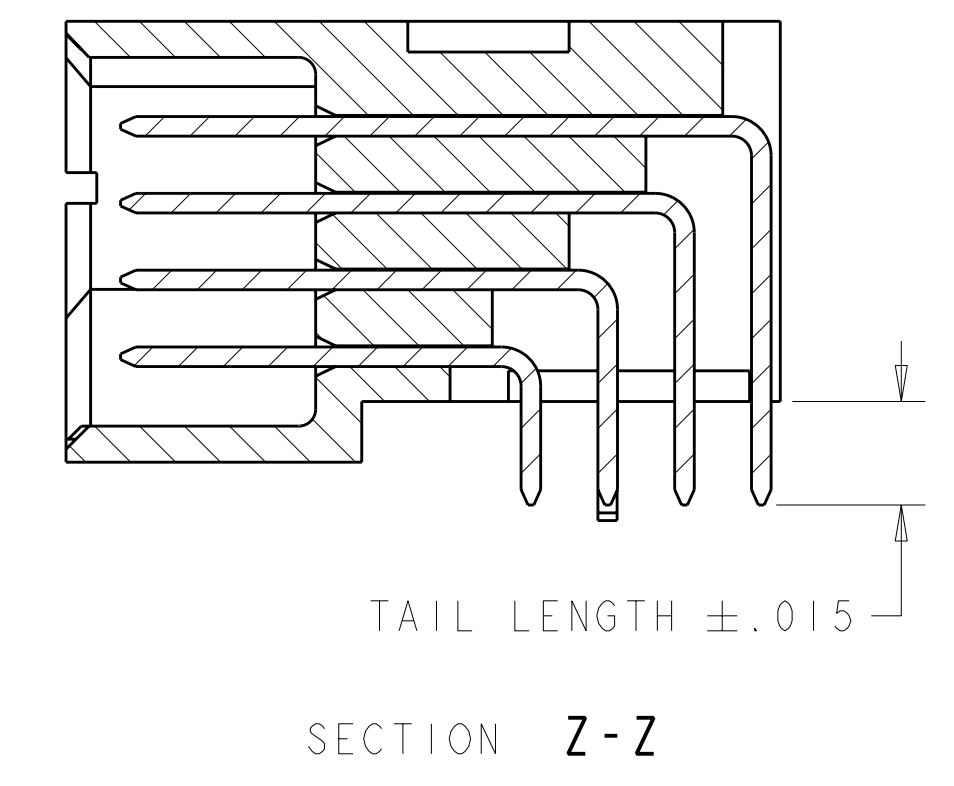
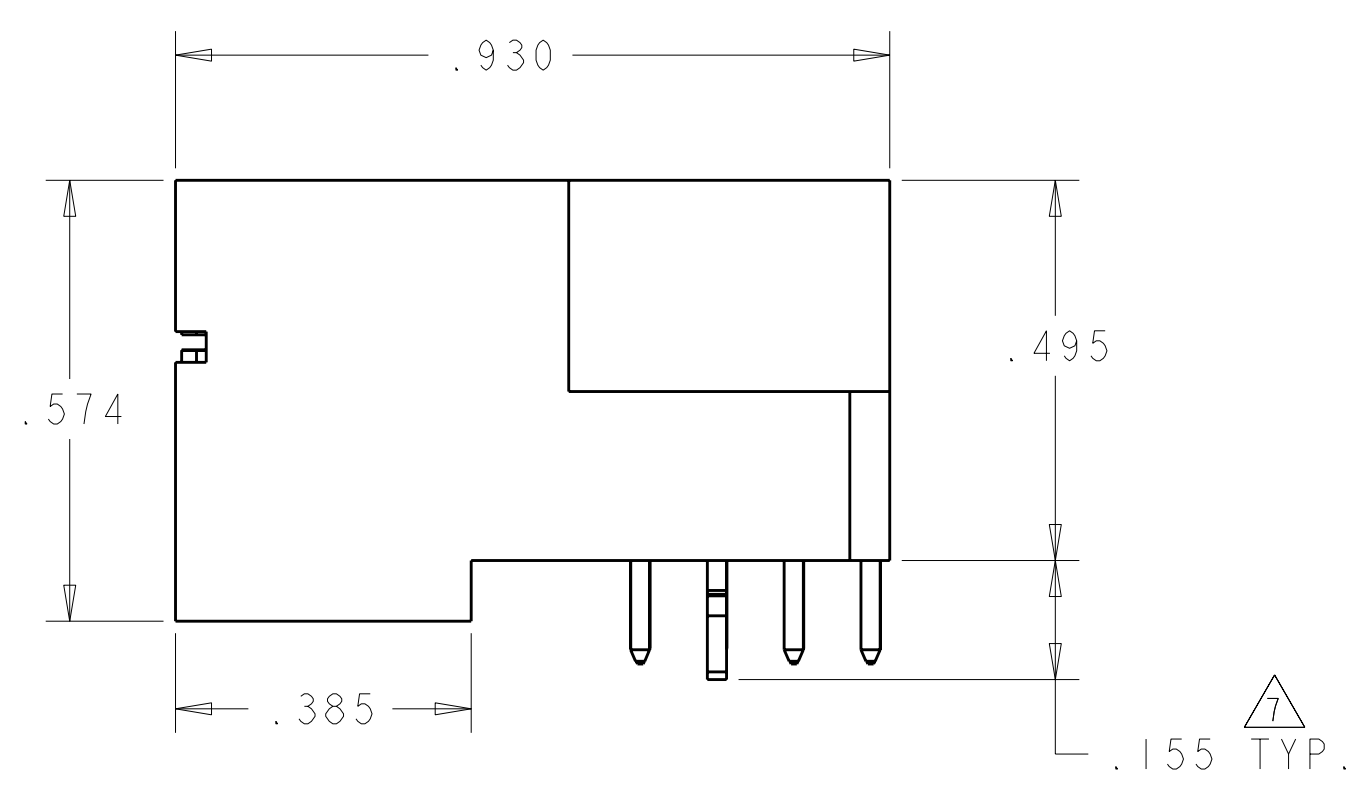
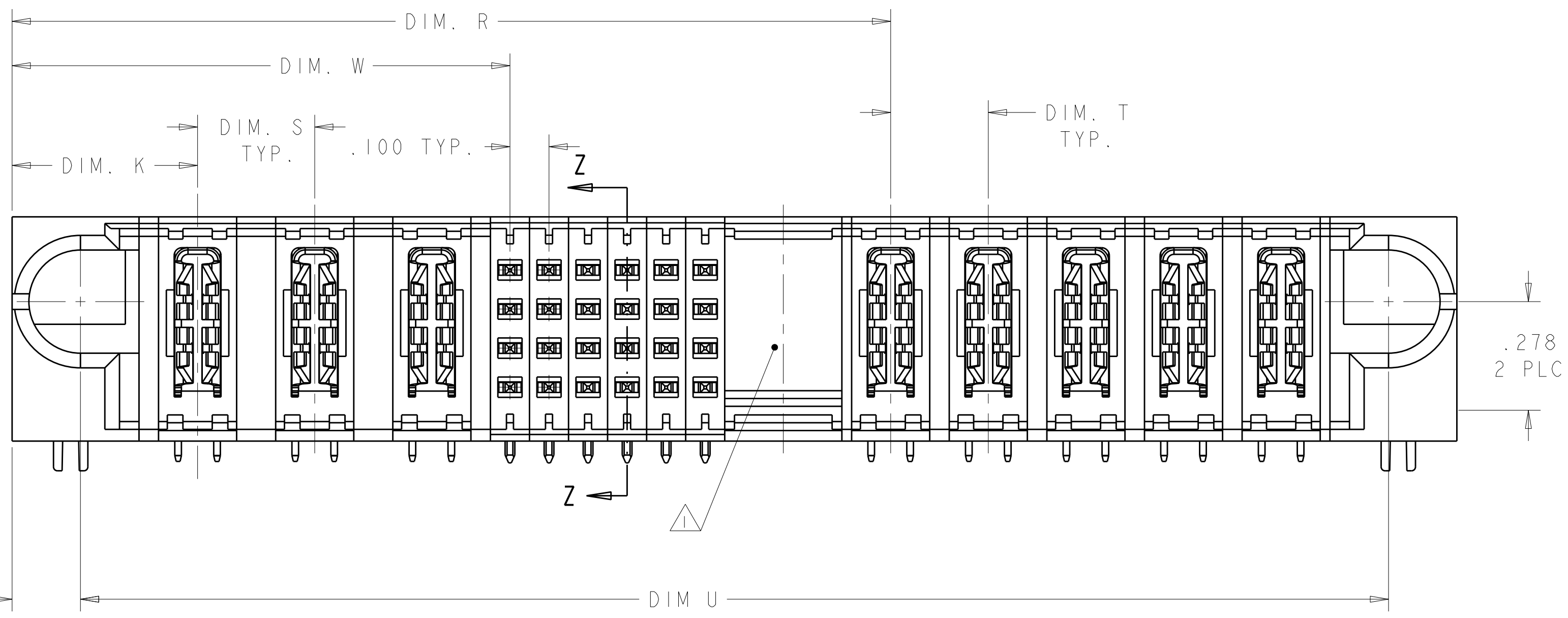
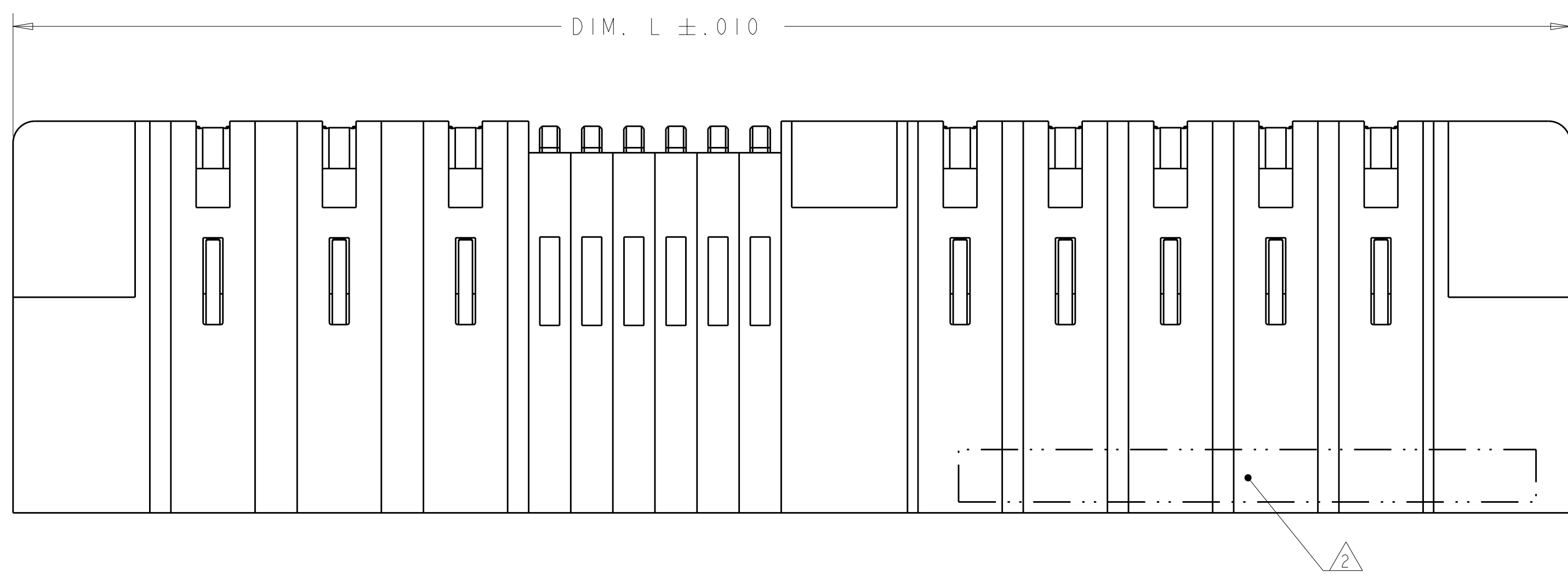


LOC	DIST	REVISIONS					
ES	00	P	LT#	DESCRIPTION	DATE	DWN	APVD
		K5		REV PER ECR-09-022624	16OCT2009	IL	SY
		K6		ADDED NEW DASH NUMBER -94.	23NOV2009	IL	SY
		L		REV PER ECR-09-025943	26NOV2009	IL	SY
		L1		REV PER ECR-09-026482	07DEC2009	IL	SY



<small>THIS DRAWING IS UNPUBLISHED. RELEASED FOR PUBLICATION BY TYCO ELECTRONICS CORPORATION. ALL RIGHTS RESERVED.</small>		DWN: R. GRZYBOWSKI CHK: M. PERCHERKE APVD: M. PERCHERKE	14FE805 14FE805 108-1973 114-13038	Tyco Electronics Corporation Shanghai, P.R.China 200233
DIMENSIONS: INCHES		TOLERANCES UNLESS OTHERWISE SPECIFIED: 9 PLC ±. 1 PLC ±.01 2 PLC ±.01 3 PLC ±.005 4 PLC ±.0020 ANGLES ±.0°		
MATERIAL: 3		FINISH: 4		
CUSTOMER DRAWING		NAME: RIGHT ANGLE HEADER ASSEMBLY W/GUIDES MULTI-BEAM XL PRODUCT SPEC: 108-1973 APPLICATION SPEC: 114-13038		SIZE: A CAGE CODE: 00779 DRAWING NO: C=6450130 RESTRICTED TO:
SCALE: 2:1		SHEET: 1 OF 20		REV: L1

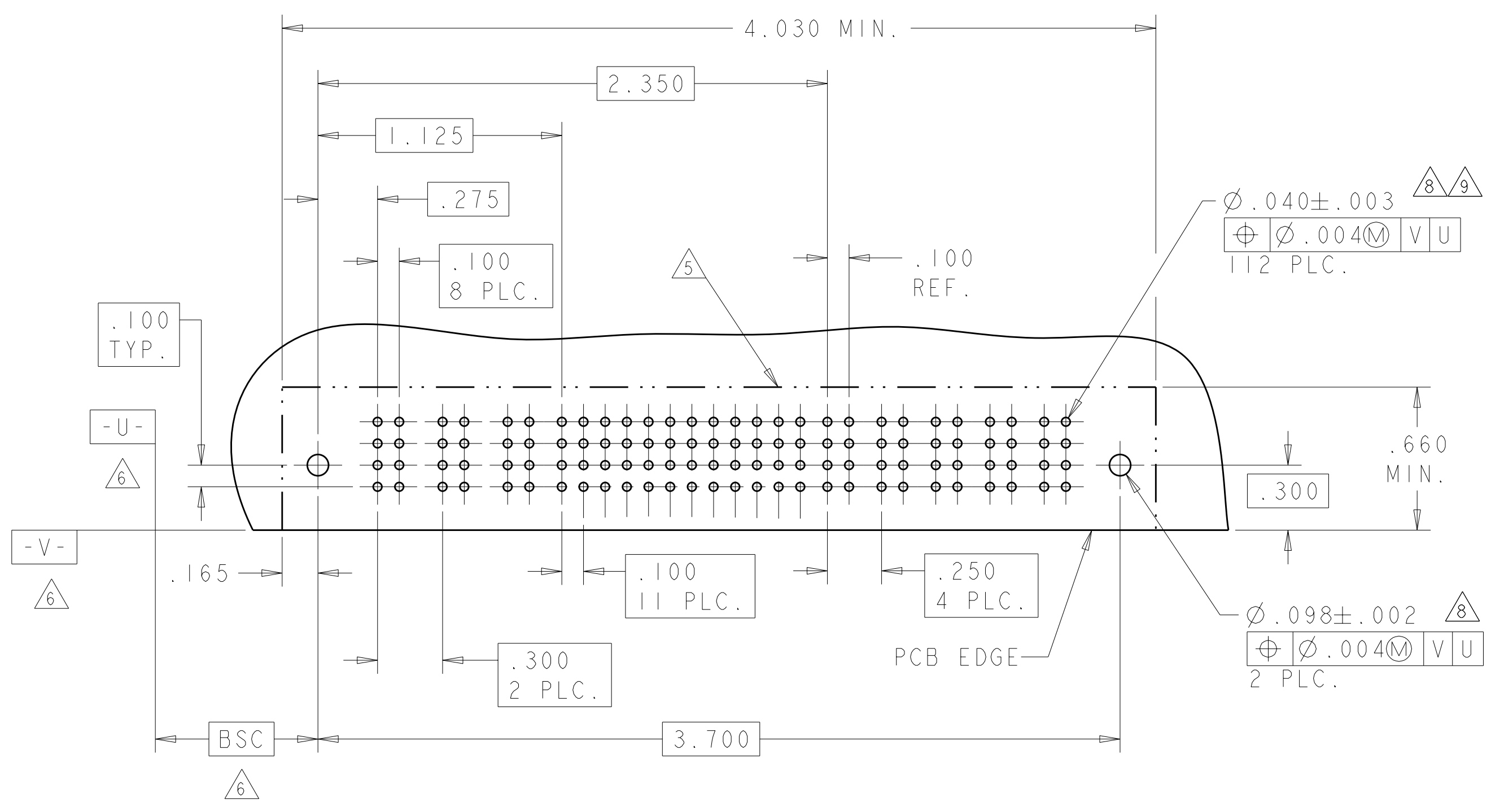
LOC	DIST	REV	DATE	BY	APPD
ES	00				
REVISIONS					
DESCRIPTION			DATE	BY	APPD
SEE SHEET 1					

- △ OPTIONAL CENTER MODULE WITH Ø.150 THRU HOLE OR HOLD DOWN FEATURE.
- △ "AMP", PART NUMBER, AND DATE CODE TO BE MARKED IN AREA SHOWN.
- △ MATERIAL: HOUSING - GLASS FILLED HIGH TEMP THERMO PLASTIC, UL94 V-0  
 SIGNAL CONTACT - COPPER ALLOY  
 POWER CONTACT - HIGH CONDUCTIVITY COPPER ALLOY
- △ CONTACT PLATING: SIGNAL CONTACTS - .000050 MIN Ni UNDER ALL.  
 .000030 MIN Au ON CONTACT AREA.  
 .000100 MIN Sn AT PCB INTERFACE.  
 POWER CONTACTS - .000050 MIN Ni UNDER ALL.  
 .000030 MIN Au ON CONTACT AREA.  
 .000100 MIN Sn AT PCB INTERFACE.
- △ MECHANICAL CONNECTOR KEEP OUT ZONE.
- △ DATUM AND BASIC DIMENSIONS ESTABLISHED BY CUSTOMER.
- △ HOLD DOWN SEATING DEPTH DIMENSION FOR 6450130-4 IS .185 TYP
- △ PCB - ALL HOLE DIAMETERS ARE FINISHED HOLE SIZES.
- △ PCB - .0453 +/- .0010 DRILLED HOLES PLATES WITH .0003 MIN Sn OVER  
 .001 TO .003 Cu PLATING TO ACHIEVE A .040±.003 DIA HOLE.
- △ VARIABLE DIMS. SHOWN ON VIEW

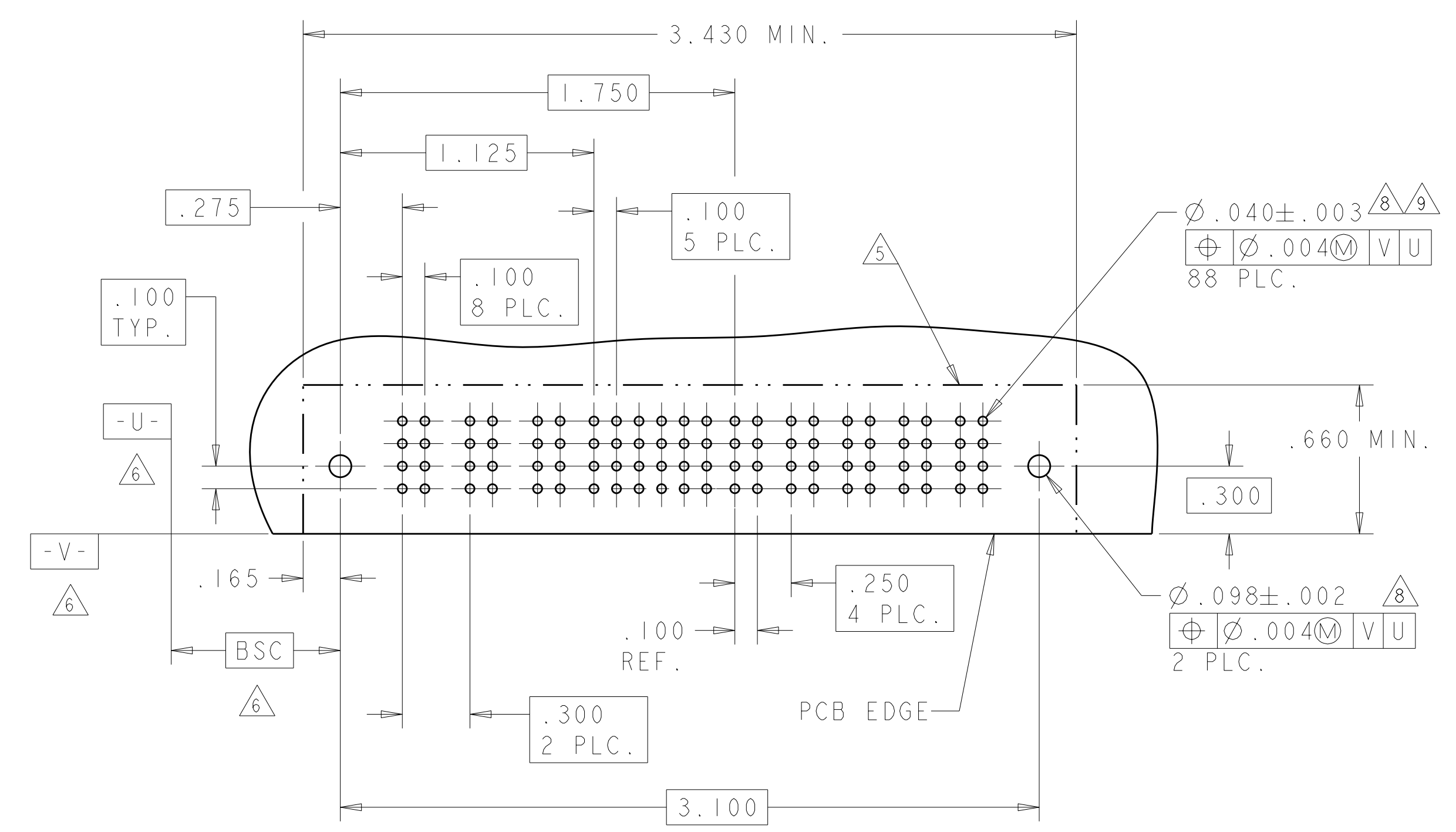
DIM U	DIM S	DIM T	DIM R	DIM W	DIM D	DIM M	DIM L	DIM K	DESCRIPTION	PART NUMBER
2.800	.250	.300	2.075	1.375	2.850	-	3.150	.450	4P + 24S + 3ACP	9-6450130-4
1.700	.250	.250	1.350	.875	1.750	-	2.050	.450	2P + 16S + 2P	9-6450130-3
2.350	.250	.250	1.250	.875	2.400	-	2.700	.450	2P + 12S + 5P	9-6450130-2
2.400	.250	.250	1.800	1.125	2.450	-	2.750	.450	3P + 24S + 3P	9-6450130-0
1.200	-	-	1.100	.625	1.250	-	1.550	.450	1P + 16S + 1P	8-6450130-9
1.900	.250	.250	1.550	.875	1.950	-	2.250	.450	2P + 24S + 2P	8-6450130-8
2.900	.250	.250	2.550	.875	2.950	-	3.250	.450	2P + 64S + 2P	8-6450130-7
2.400	.250	.250	1.800	1.125	2.450	-	2.750	.450	3P + 24S + 3P	8-6450130-6
1.300	-	-	1.200	.675	1.350	-	1.650	.450	1P + 16S + 1P	8-6450130-5
2.800	.250	.250	1.700	1.125	2.850	-	3.150	.450	3P + 20S + 5P	8-6450130-4
2.800	.250	.300	2.075	1.375	2.850	-	3.150	.450	4P + 24S + 3ACP	8-6450130-2
2.850	.250	.250	2.500	1.875	2.900	-	3.200	.450	6P + 20S + 2P	8-6450130-0
2.600	.250	.250	2.250	1.625	2.650	-	2.950	.450	5P + 20S + 2P	7-6450130-9
2.400	.250	.250	1.800	1.125	2.450	-	2.750	.450	3P + 24S + 3P	7-6450130-8
4.800	.250	.250	3.450	1.875	4.850	-	5.150	.450	6P + 60S + 6P	7-6450130-7
3.050	.300	.250	1.950	1.275	3.100	-	3.400	.475	3ACP + 24S + 5P	7-6450130-6
2.400	.250	.250	1.800	1.125	2.450	-	2.750	.450	3P + 24S + 3P	7-6450130-5
6.250	.250	△	5.050	4.375	6.300	-	6.600	.450	16P + 24S + 2P + 3ACP	7-6450130-4
1.900	.250	.250	1.550	.875	1.950	-	2.250	.450	2P + 24S + 2P	6-6450130-7
2.500	.250	.250	2.150	1.425	2.550	-	2.850	.450	4P + 24S + 2P	5-6450130-8
3.100	.200	.200	2.225	1.375	3.150	-	3.450	.425	5P + 32S + 5P	5-6450130-5
2.300	.300	.250	1.950	1.275	2.350	-	2.650	.450	3ACP + 24S + 2P	5-6450130-1
4.000	.300	.300	2.675	1.925	4.050	-	4.350	.475	5ACP + 24S + 5ACP	5-6450130-0
3.000	.250	.250	2.150	1.425	3.050	-	3.350	.450	4P + 24S + 4P	4-6450130-9
3.300	.250	.250	2.450	1.375	3.350	-	3.650	.450	4P + 40S + 4P	4-6450130-8
3.100	.200	.200	2.225	1.375	3.150	-	3.450	.425	5P + 32S + 5P	4-6450130-5
2.100	.300	.250	1.950	1.275	2.150	-	2.450	.475	3ACP + 16S + 2P	4-6450130-3
1.900	.250	.250	1.550	.875	1.950	-	2.250	.450	2P + 24S + 2P	4-6450130-2
2.100	.200	.200	1.425	1.175	2.150	-	2.450	.425	4P + 8S + 4P	4-6450130-0
2.100	.300	.250	1.750	1.275	2.150	-	2.450	.475	3ACP + 16S + 2P	3-6450130-9
4.675	.250	.300	3.950	3.375	4.725	-	5.025	.450	12P + 20S + 3ACP	3-6450130-6
3.500	.250	.250	2.900	1.625	3.550	-	3.850	.450	5P + 48S + 3P	3-6450130-2
1.900	.250	.250	1.550	.875	1.950	-	2.250	.450	2P + 24S + 2P	2-6450130-9
3.250	.250	.250	2.900	1.125	3.300	-	3.600	.450	3P + 68S + 2P	2-6450130-8
2.300	.300	.250	1.950	1.275	2.350	-	2.650	.475	3ACP + 24S + 2P	2-6450130-6
2.600	.200	.200	1.925	1.175	2.650	-	2.950	.425	4HDP + 28S + 4HDP	2-6450130-4
3.200	.200	.200	2.125	1.575	3.250	-	3.550	.425	6P + 20S + 6P	2-6450130-3
2.800	.250	.300	2.075	1.375	2.850	-	3.150	.450	4P + 24S + 3ACP	2-6450130-2
3.500	.200	.200	2.225	1.775	3.550	-	3.850	.425	7P + 16S + 7P	2-6450130-1
5.450	△	△	3.075	2.425	5.500	-	5.800	.425	10P + 24S + 12P	2-6450130-0
4.400	.250	.250	4.050	.875	4.450	-	4.750	.450	2P + 124S + 2P	1-6450130-9
4.275	△	.250	3.175	2.500	4.325	-	4.625	.475	2ACP + 6P + 24S + 5P	1-6450130-8
1.900	.250	.250	1.550	.875	1.950	-	2.250	.450	2P + 24S + 2P	1-6450130-7
3.300	.300	.250	1.950	1.275	3.350	-	3.650	.475	3ACP + 24S + 6P	1-6450130-4
4.050	.250	-	3.950	.875	4.100	-	4.400	.450	2P + 120S + 1P	1-6450130-3
3.250	.250	-	3.150	.875	3.300	-	3.600	.450	2P + 88S + 1P	1-6450130-2
1.400	-	-	1.300	.625	1.450	-	1.750	.450	1P + 24S + 1P	1-6450130-1
2.900	.250	.250	2.550	.875	2.950	-	3.250	.450	2P + 64S + 2P	1-6450130-0
2.550	.250	.300	1.825	1.125	2.600	-	2.900	.450	3P + 24S + 3ACP	6450130-9
2.675	.200	.200	2.375	1.650	2.725	-	3.025	.450	5P + 24S + 2P	6450130-8
3.650	.250	.250	2.550	1.875	3.700	-	4.000	.450	6P + 24S + 5P	6450130-7
2.400	.250	.250	1.800	1.125	2.450	-	2.750	.450	3P + 24S + 3P	6450130-6
4.350	.250	.250	3.500	2.625	4.400	-	4.700	.450	9P + 32S + 4P	6450130-5
2.800	.250	.300	2.075	1.375	2.850	-	3.150	.450	4P + 24S + 3ACP	6450130-4
3.050	.300	.250	1.950	1.275	3.100	-	3.400	.475	3ACP + 24S + 5P	6450130-3
2.550	.300	.250	2.200	1.525	2.600	-	2.900	.475	3ACP + 1P + 24S + 2P	6450130-2
3.650	.300	.250	2.550	1.275	3.700	-	4.000	.475	3ACP + 48S + 5P	6450130-1

DIMENSIONS: INCHES 		TOLERANCES UNLESS OTHERWISE SPECIFIED: 9 PLC ±.01 5 PLC ±.005 4 PLC ±.0020 ANGLES ±.0020 FINISH: .30		DWN: R. GRZYBOWSKI CHK: M. PERCHERKE APVD: M. PERCHERKE NAME: M. PERCHERKE PRODUCT SPEC: 108-1973 APPLICATION SPEC: 114-13038 WEIGHT: - CUSTOMER DRAWING		14FE805 14FE805 Tyco Electronics Corporation Shanghai, P.R.China 200233 RIGHT ANGLE HEADER ASSEMBLY W/GUIDES MULTI-BEAM XL SIZE: CAGE CODE: DRAWING NO: 00779 SCALE: 2:1 SHEET 2 OF 20	
------------------------	--	---------------------------------------------------------------------------------------------------------------------	--	-------------------------------------------------------------------------------------------------------------------------------------------------------------------------------	--	----------------------------------------------------------------------------------------------------------------------------------------------------------------------------------------------------------	--

PART NUMBER	ROWS	POWER			SIGNAL								POWER										
		P1	P2	P3	1	2	3	4	5	6	7	8	9	10	11	12	P4	P5	P6	P7	P8		
6450130-1	D C B A	PM	PM	PM	J	J	J	J	J	J	J	J	J	J	J	J	PM	PM	PM	PM	PM	PM	PM
					K	K	K	K	K	K	K	K	K	K	K	K							
					N	N	N	N	N	N	N	N	N	N	N	N							
3ACP + 48S + 5P					S	S	S	S	S	S	S	S	S	S	H								

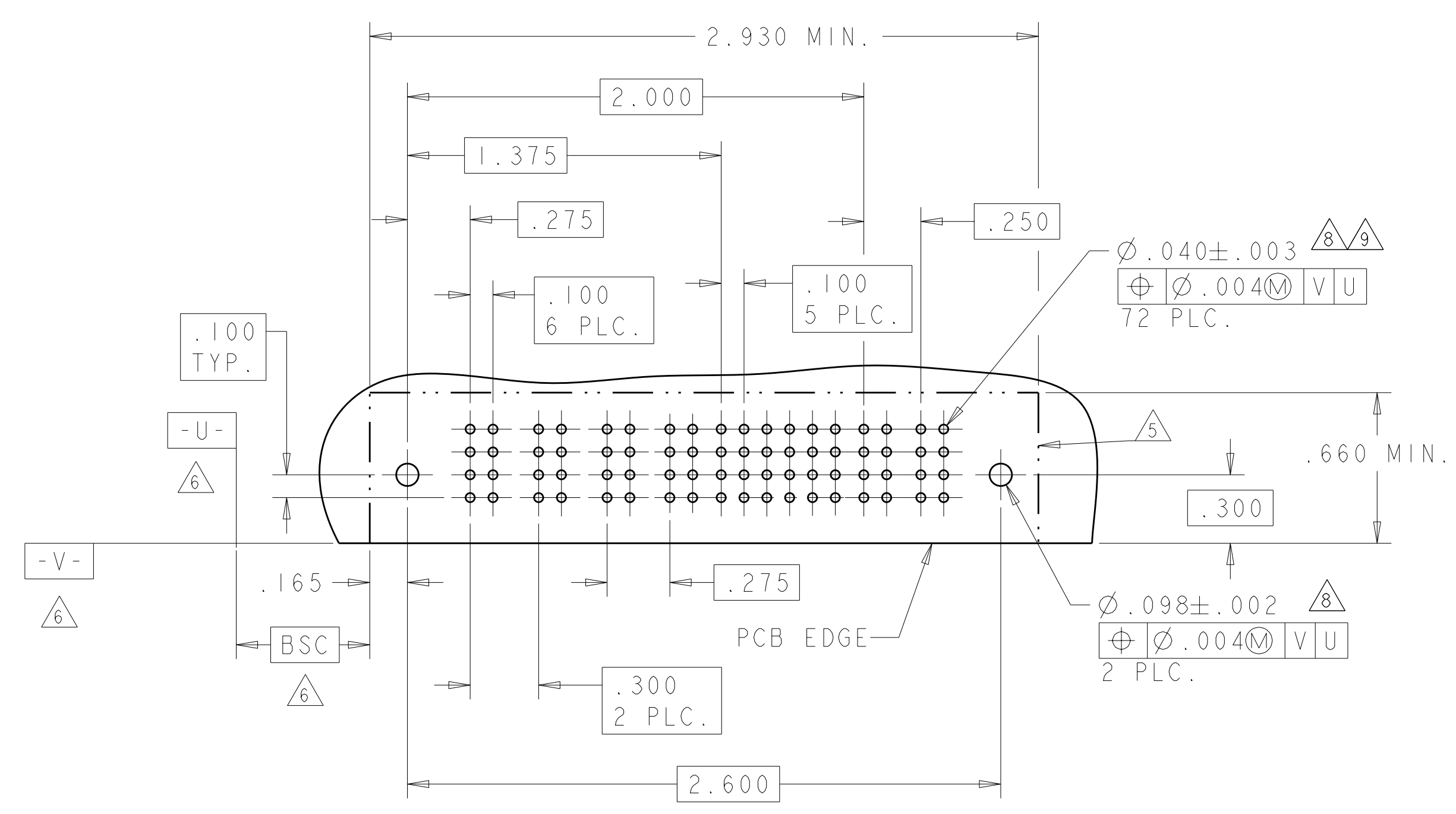


PART NUMBER	ROWS	POWER			SIGNAL						POWER											
		P1	P2	P3	1	2	3	4	5	6	P4	P5	P6	P7	P8							
6450130-3	D C B A	PM	PM	PM	J	J	J	J	E	J	J	J	J	J	PM	PM	PM	PM	PM	PM	PM	
					K	K	F	K	K	K	K	K	K									
					N	N	N	N	N	N	N	N	N	G								
3ACP + 24S + 5P					S	S	H	S	S	S	S	S	S	S	S							



NO CONTACT LOADED

PART NUMBER	ROWS	POWER				SIGNAL						POWER					
		P1	P2	P3	P4	1	2	3	4	5	6	P5	P6				
6450130-2	D C B A	PM	PM	PM	PM	E	J	J	J	J	E	J	J	J	J	PM	PM
						K	K	F	K	K	K	K	K	K			
						N	N	N	N	N	N	N	N	N	N		
3ACP + 1P + 24S + 2P						H	S	S	S	S	H						



CODE	TAIL LENGTH	DESCRIPTION
PM	.135	MULTI-BEAM
PA	.090	MULTI-BEAM
POWER CONTACT		

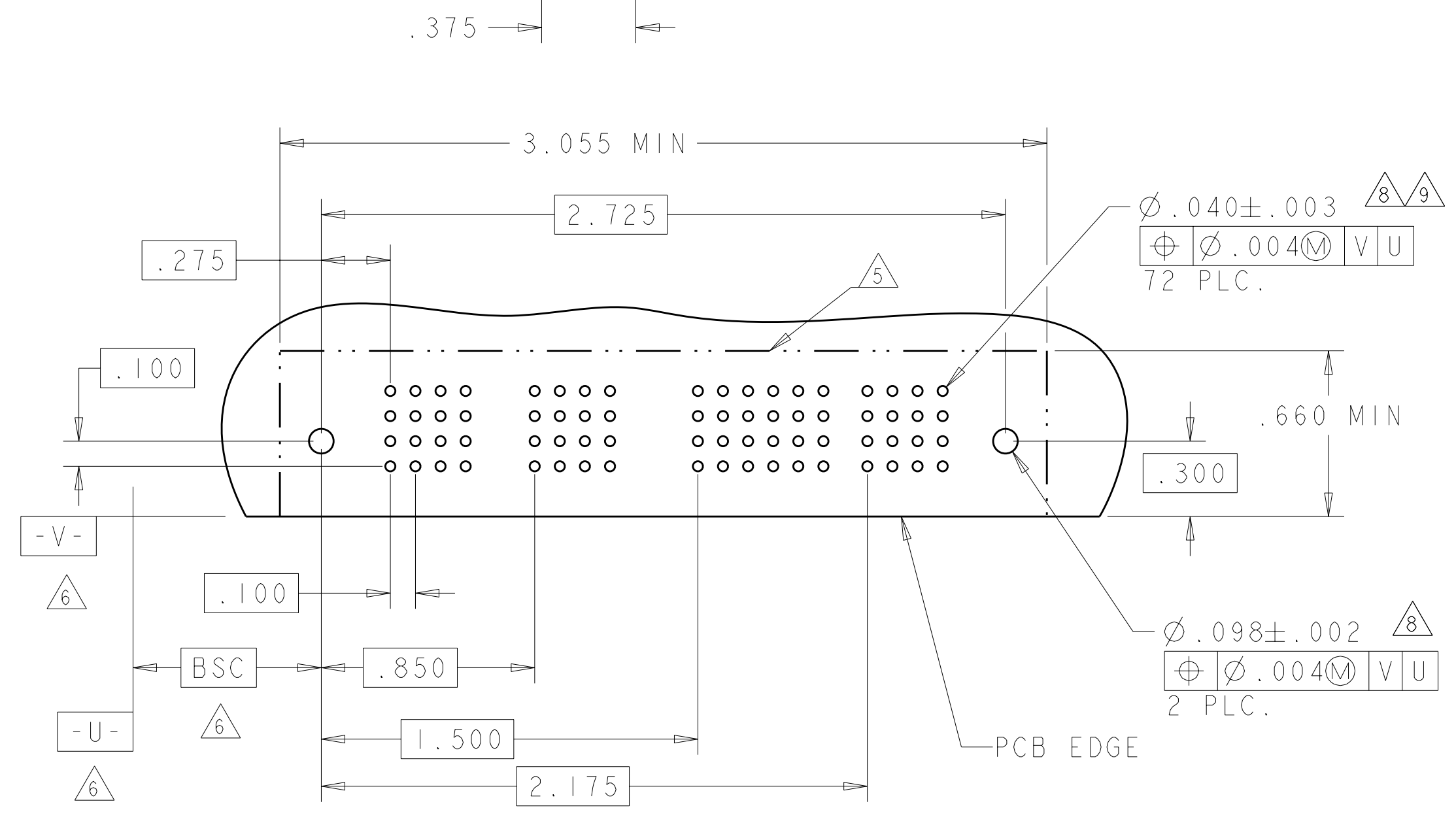
CODE	MATING SEQUENCE	TAIL LENGTH	ROW
Z	STD	.090	D
Y	STD	.090	C
R	STD	.090	B
O	STD	.090	A
A4	MLBF	.090	D
A3	MLBF	.090	C
A2	MLBF	.090	B
A1	MLBF	.090	A
E	MLBF	.135	D
F	MLBF	.135	C
G	MLBF	.135	B
H	MLBF	.135	A
J	STD	.135	D
K	STD	.135	C
N	STD	.135	B
S	STD	.135	A
SIGNAL CONTACT			

DIMENSIONS: INCHES		TOLERANCES UNLESS OTHERWISE SPECIFIED:		DWN R. GRZYBOWSKI 14FE805		Tyco Electronics Corporation	
9 PLC ±.01		9 PLC ±.01		CHK M. PERCHERKE 14FE805		Shanghai, P.R.China 200233	
5 PLC ±.005		5 PLC ±.005		APVD M. PERCHERKE		NAME	
4 PLC ±.0020		4 PLC ±.0020		PRODUCT SPEC		RIGHT ANGLE HEADER ASSEMBLY W/GUIDES	
ANGLES		ANGLES		APPLICATION SPEC		MULTI-BEAM XL	
MATERIAL		FINISH		114-13038		SIZE CAGE CODE DRAWING NO	
				WEIGHT		A1 00779 C=6450130	
				CUSTOMER DRAWING		RESTRICTED TO	
				SCALE 2:1		SHEET 3 OF 20	



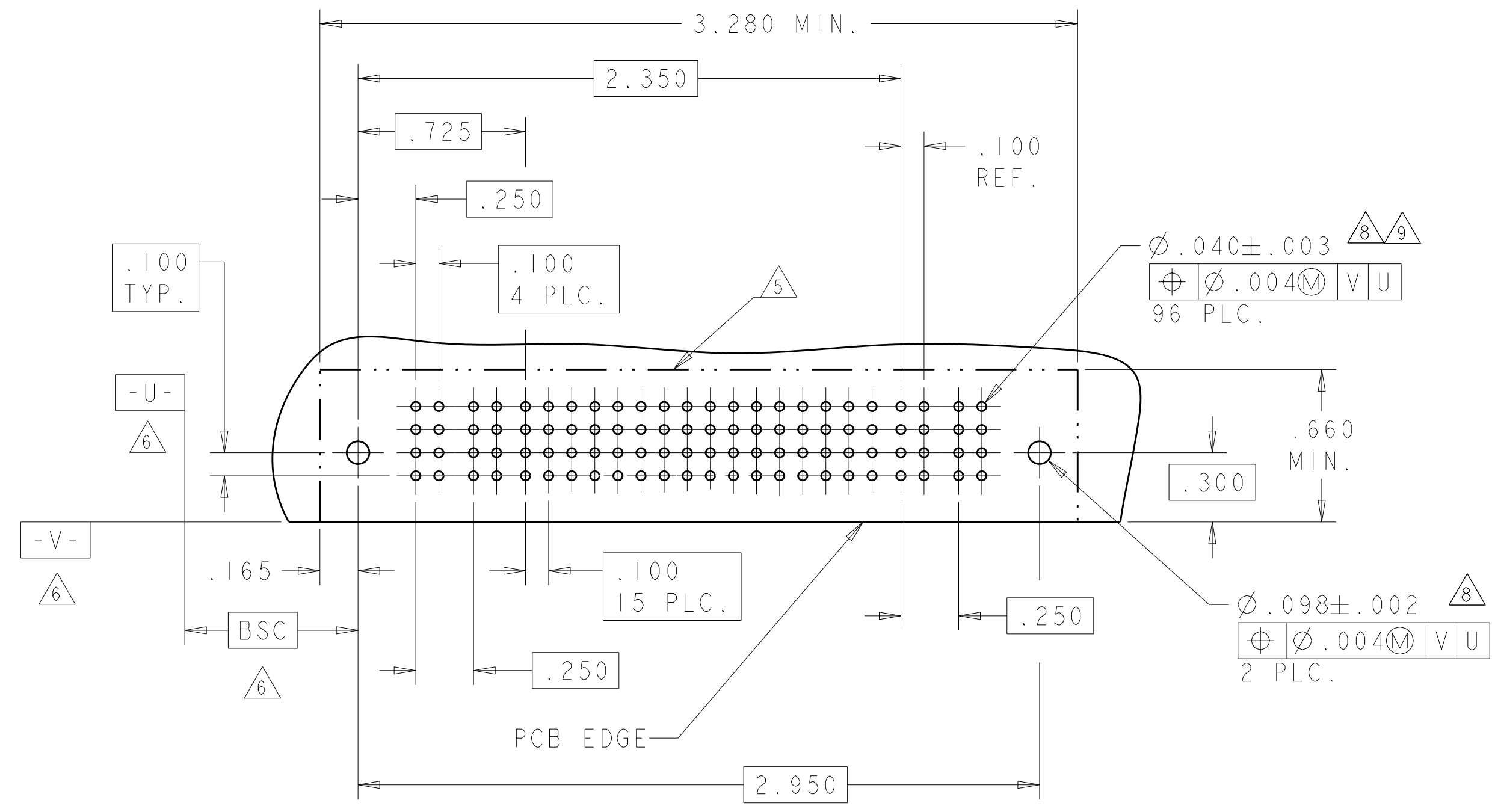
PART NUMBER	ROWS	POWER					SIGNAL						POWER	
		P1	P2	P3	P4	P5	1	2	3	4	5	6	P6	P7
6450130-8	D C B A	PM	PM	PM	PM		J	J	J	J	J	J	PM	PM
							K	K	K	K	K	K		
							N	N	N	N	N	G		
							S	S	S	S	S	S		

5P + 24S + 2P



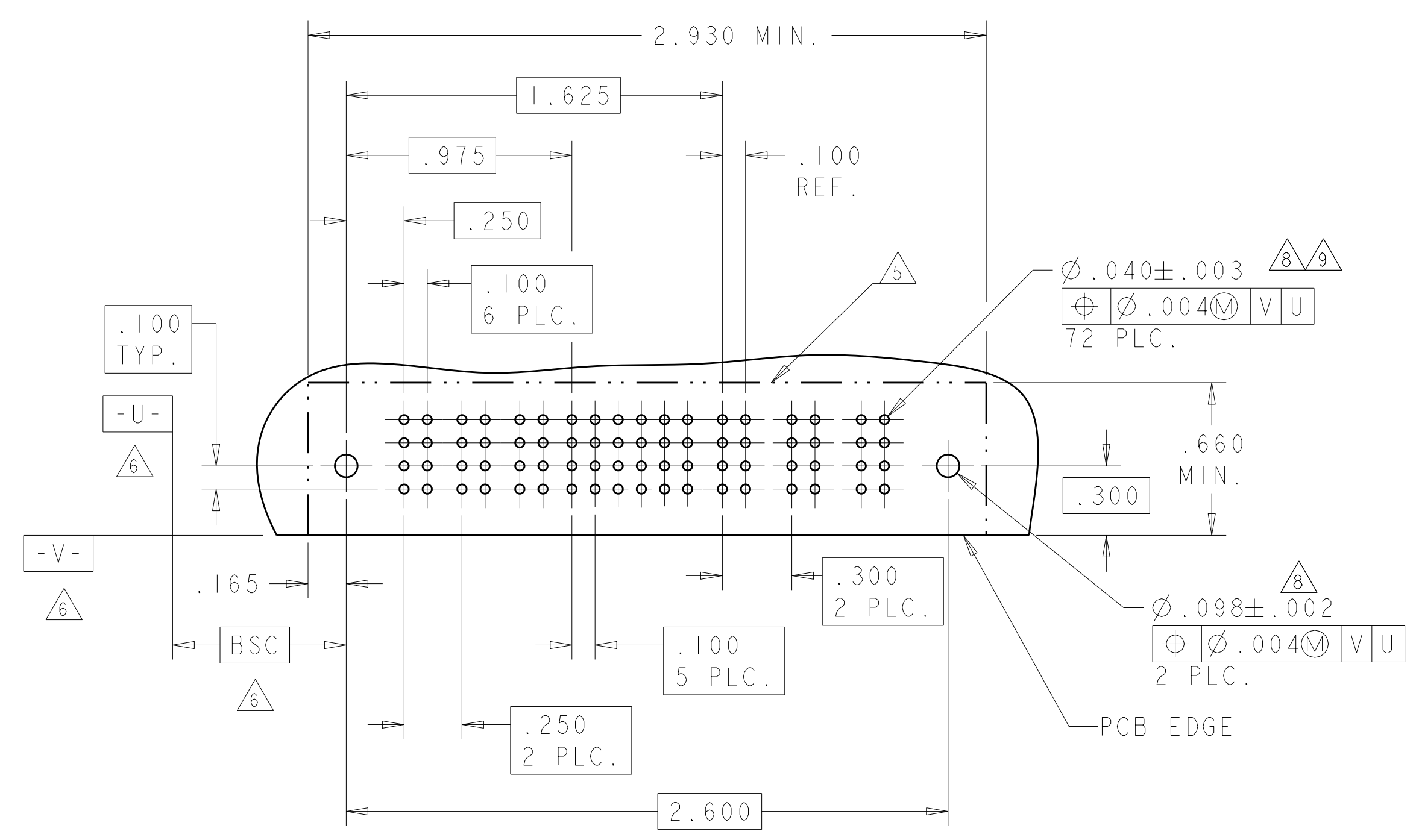
PART NUMBER	ROWS	POWER		SIGNAL																POWER		
		P1	P2	1	2	3	4	5	6	7	8	9	10	11	12	13	14	15	16	P3	P4	
1-6450130-0	D C B A	PA	PA	A4	A4	A4	A4	A4	A4	A4	A4	A4	A4	A4	A4	A4	A4	A4	A4	A4	PA	PA
				A3	A3	A3	A3	A3	A3	A3	A3	A3	A3	A3	A3	A3	A3	A3	A3	A3		
				A2	A2	A2	A2	A2	A2	A2	A2	A2	A2	A2	A2	A2	A2	A2	A2	A2		
				A1	A1	A1	A1	A1	A1	A1	A1	A1	A1	A1	A1	A1	A1	A1	A1	O		

2P + 64S + 2P



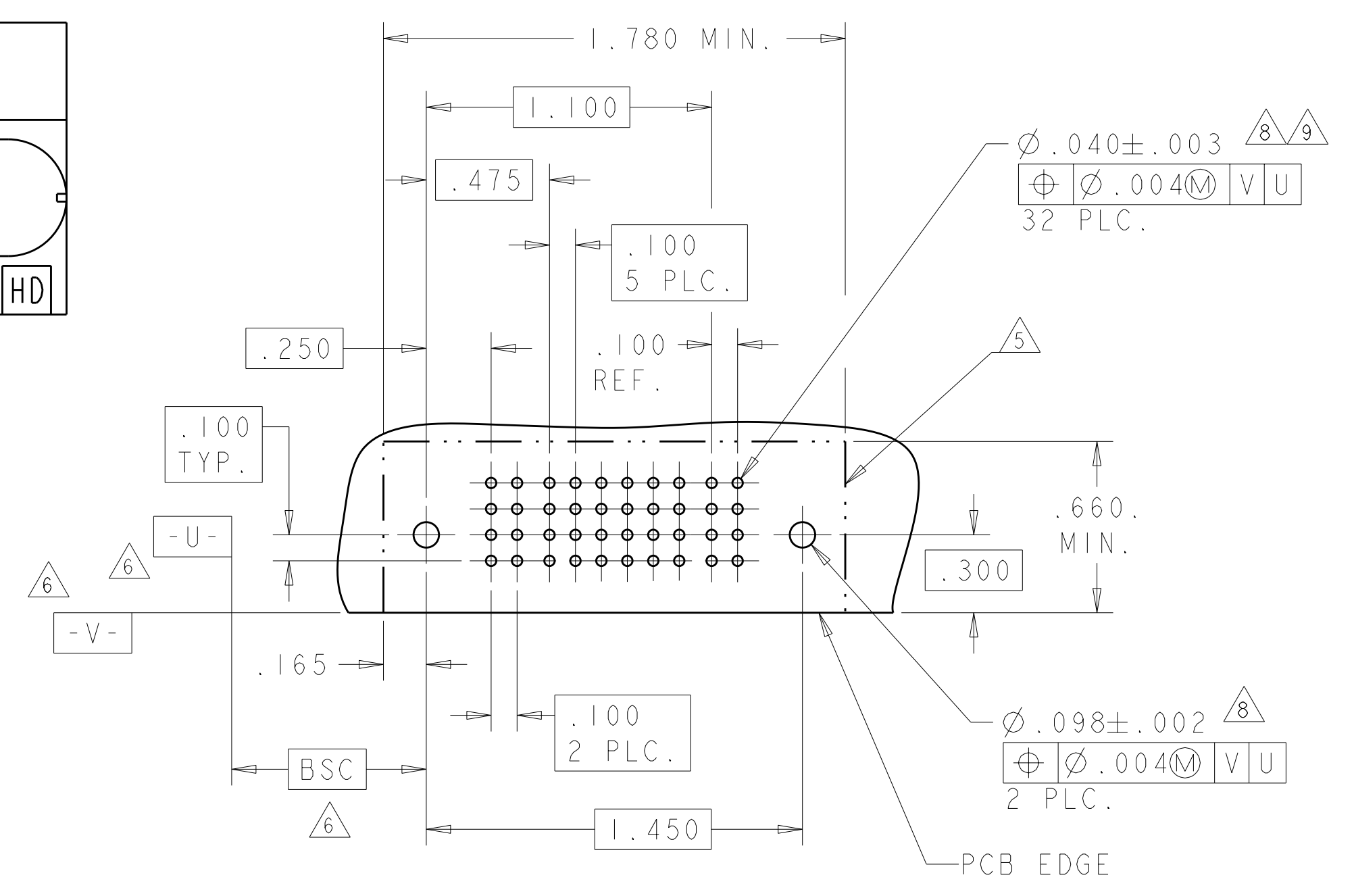
PART NUMBER	ROWS	POWER			SIGNAL						POWER			
		P1	P2	P3	1	2	3	4	5	6	P4	P5	P6	
6450130-9	D C B A	PA	PA	PA	Z	A	A	A	A	A	A	PA	PA	PA
					Y	A	A	A	A	A	A			
					R	A	A	A	A	A	A			
					O	A	A	A	A	A	O			

3P + 24S + 3ACP



PART NUMBER	ROWS	POWER		SIGNAL						POWER	
		P1	P2	1	2	3	4	5	6	P2	
1-6450130-1	D C B A	PA	PA	A4	A4	A4	A4	A4	A4	A4	PA
				A3	A3	A3	A3	A3	A3	A3	
				A2	A2	A2	A2	A2	A2	A2	
				A1	A1	A1	A1	A1	A1	O	

1P + 24S + 1P



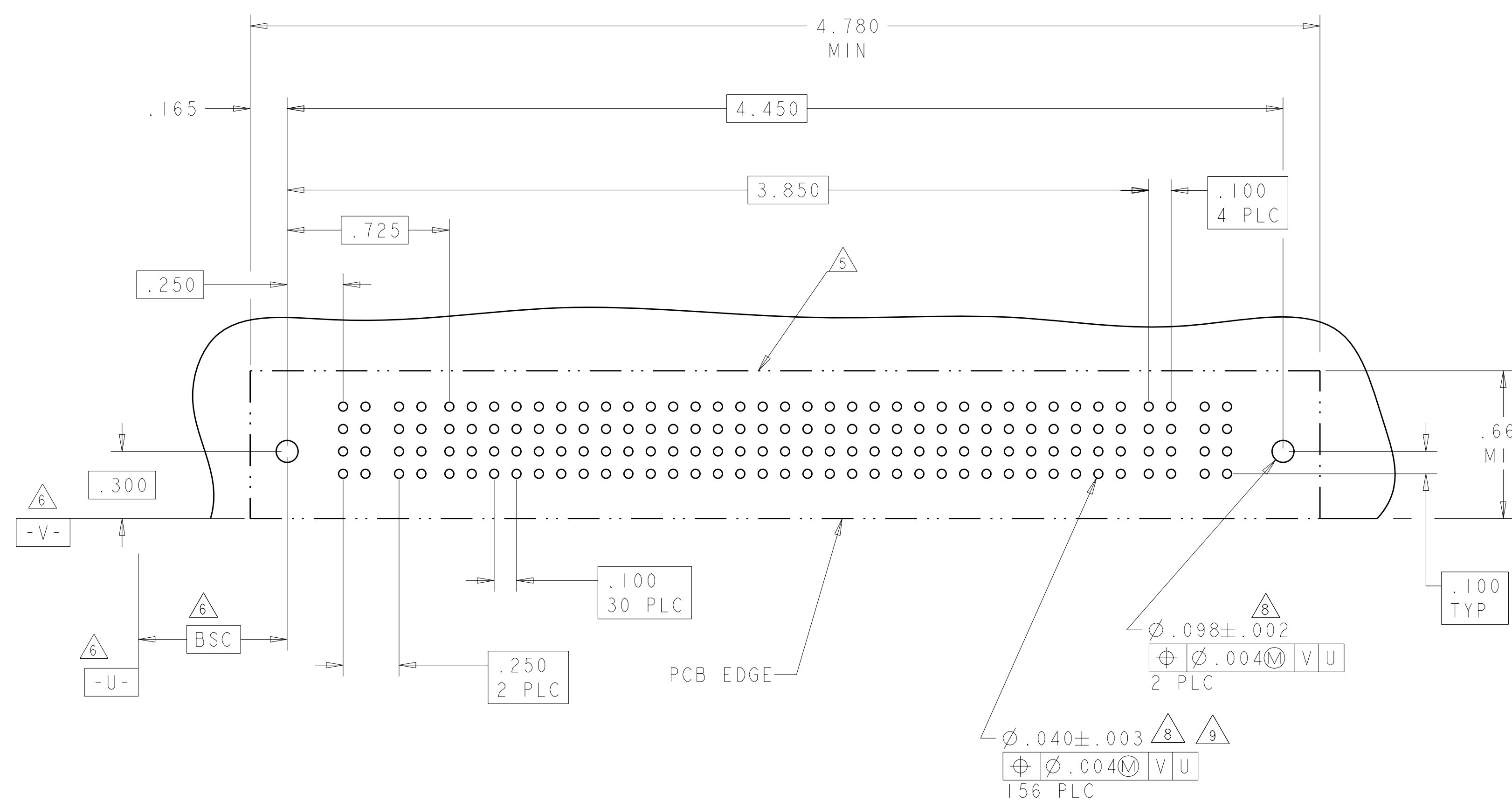
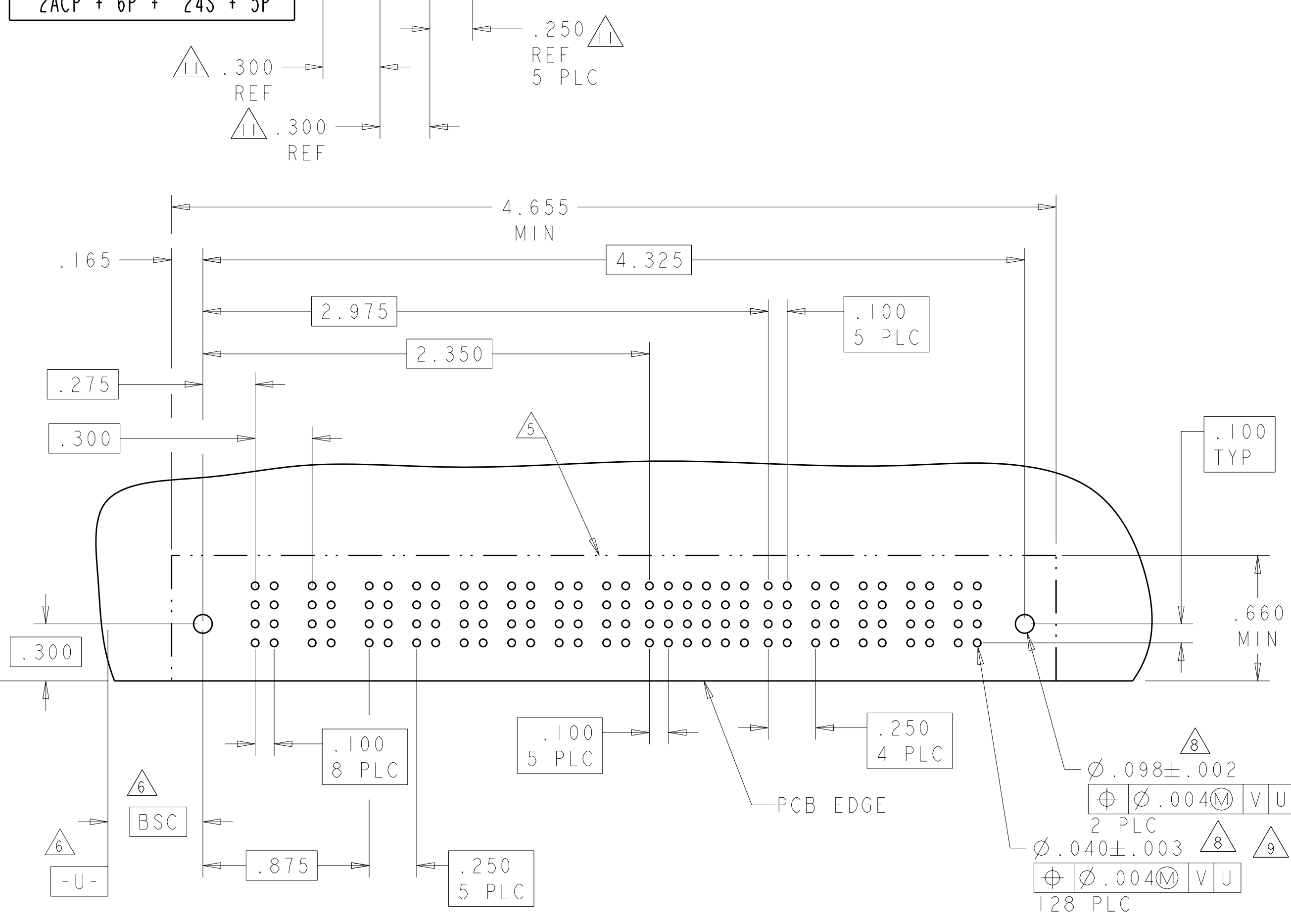
DIMENSIONS: INCHES 		TOLERANCES UNLESS OTHERWISE SPECIFIED: 9 PLC ±.01 5 PLC ±.01 4 PLC ±.005 ANGLES ±.0020		DWN: R. GRZYBOWSKI 14FEB05 CHK: M. PERCHERKE 14FEB05 APVD: M. PERCHERKE PRODUCT SPEC: 108-1973 APPLICATION SPEC: 114-13038 WEIGHT: - FINISH: -		Tyco Electronics Corporation Shanghai, P.R.China 200233 NAME: RIGHT ANGLE HEADER ASSEMBLY W/GUIDES MULTI-BEAM XL SIZE: A1 CAGE CODE: 00779 DRAWING NO: 6450130 SCALE: 2:1 SHEET: 5 OF 20 REV: L1	
------------------------	--	----------------------------------------------------------------------------------------------------	--	------------------------------------------------------------------------------------------------------------------------------------------------------------------	--	--------------------------------------------------------------------------------------------------------------------------------------------------------------------------------------------------------------------------	--



LOC	DIST	REVISIONS			
ES	00	REV	DATE	BY	APPD
		1			
		2			
		3			
		4			
		5			
		6			
		7			
		8			
		9			
		10			
		11			
		12			
		13			
		14			
		15			
		16			
		17			
		18			
		19			
		20			
		21			
		22			
		23			
		24			
		25			
		26			
		27			
		28			
		29			
		30			
		31			
		32			
		33			
		34			
		35			
		36			
		37			
		38			
		39			
		40			
		41			
		42			
		43			
		44			
		45			
		46			
		47			
		48			
		49			
		50			
		51			
		52			
		53			
		54			
		55			
		56			
		57			
		58			
		59			
		60			
		61			
		62			
		63			
		64			
		65			
		66			
		67			
		68			
		69			
		70			
		71			
		72			
		73			
		74			
		75			
		76			
		77			
		78			
		79			
		80			
		81			
		82			
		83			
		84			
		85			
		86			
		87			
		88			
		89			
		90			
		91			
		92			
		93			
		94			
		95			
		96			
		97			
		98			
		99			
		100			

PART NUMBER	ROWS	POWER							SIGNAL						POWER				
		P1	P2	P3	P4	P5	P6	P7	P8	1	2	3	4	5	6	P9	P10	P11	P12
1-6450130-8	D C B A	PM	PM	PM	PM	PM	PM	PM	E	J	J	J	J	E	PM	PM	PM	PM	PM
									K	K	F	K	K	K					
									N	N	N	G	N	N					
									H	S	S	S	S	H					

PART NUMBER	ROWS	POWER		SIGNAL																													POWER				
		P1	P2	1	2	3	4	5	6	7	8	9	10	11	12	13	14	15	16	17	18	19	20	21	22	23	24	25	26	27	28	29	30	31	P3	P4	
1-6450130-9	D C B A	PA	PA	Z	A4	A4	A4	A4	A4	A4	A4	A4	A4	A4	A4	A4	A4	A4	A4	A4	A4	A4	A4	A4	A4	A4	A4	A4	A4	A4	A4	A4	A4	A4	Z	PA	PA
				Y	A3	A3	A3	A3	A3	A3	A3	A3	A3	A3	A3	A3	A3	A3	A3	A3	A3	A3	A3	A3	A3	A3	A3	A3	A3	A3	A3	A3	A3	A3	Y		
				R	A2	A2	A2	A2	A2	A2	A2	A2	A2	A2	A2	A2	A2	A2	A2	A2	A2	A2	A2	A2	A2	A2	A2	A2	A2	A2	A2	A2	A2	R	A2		
				A1	A1	A1	A1	A1	A1	A1	A1	A1	A1	A1	A1	A1	A1	A1	A1	A1	A1	A1	A1	A1	A1	A1	A1	A1	A1	A1	A1	A1	A1	A1	A1		



DIMENSIONS: INCHES 		TOLERANCES UNLESS OTHERWISE SPECIFIED: 9 PLC ±. 1 PLC ±.01 5 PLC ±.005 4 PLC ±.0020 ANGLES ±.02°		DWN R. GRZYBOWSKI 14FEB05 CHK M. PERCHERKE 14FEB05 APVD M. PERCHERKE NAME PRODUCT SPEC 108-1973 APPLICATION SPEC 114-13038 WEIGHT CUSTOMER DRAWING		Tyco Electronics Corporation Shanghai, P.R.China 200233 RIGHT ANGLE HEADER ASSEMBLY W/GUIDES MULTI-BEAM XL SIZE CAGE CODE DRAWING NO A11 00779 C=6450130 SCALE 2:1 SHEET 7 OF 20 REV L1	
---------------------------	--	-----------------------------------------------------------------------------------------------------------------	--	-------------------------------------------------------------------------------------------------------------------------------------------------------------------------------	--	-----------------------------------------------------------------------------------------------------------------------------------------------------------------------------------------------------------	--



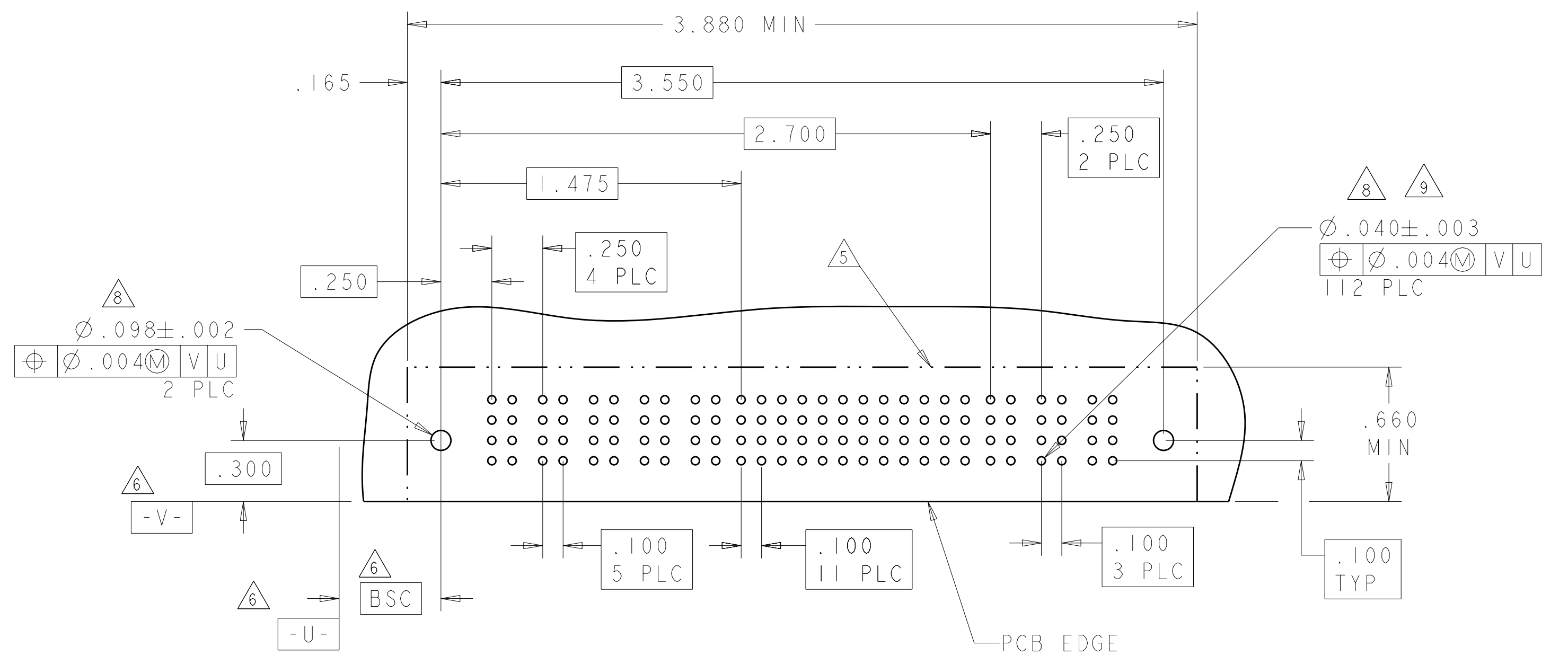
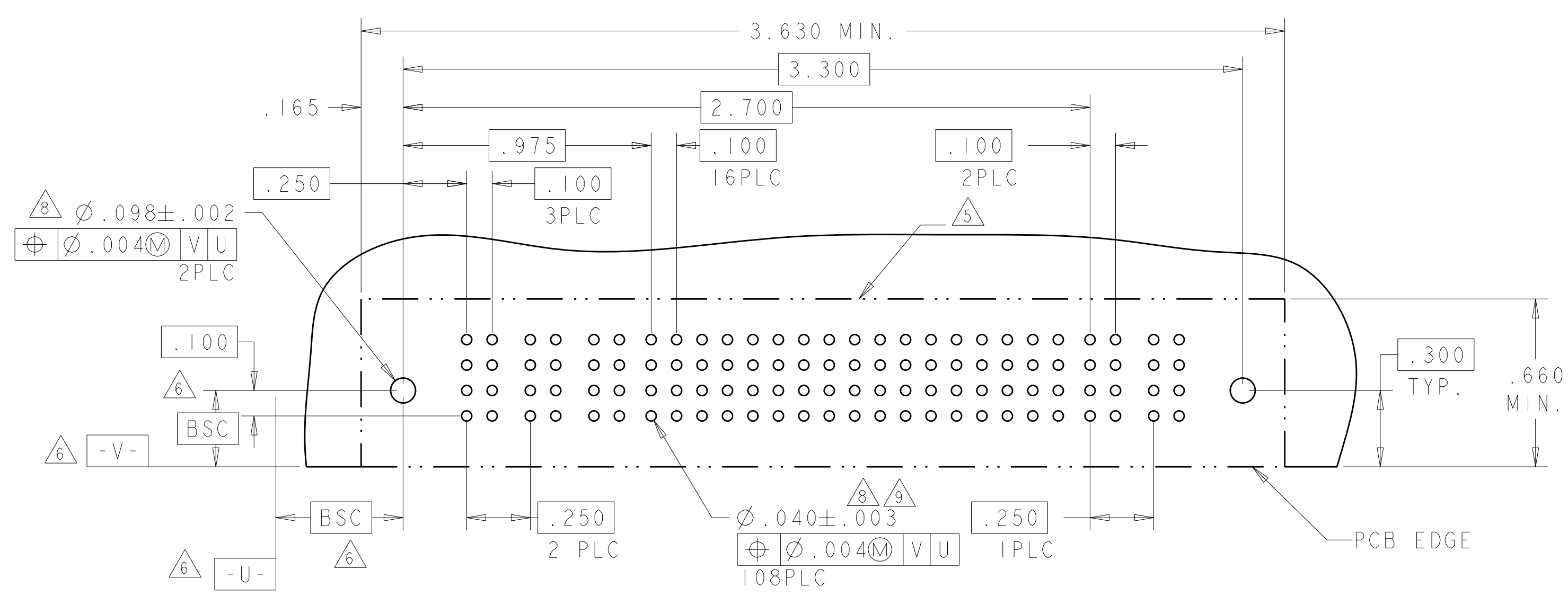




LOC	DIST	REV	DESCRIPTION	DATE	DWN	APVD
ES	00		SEE SHEET 1			

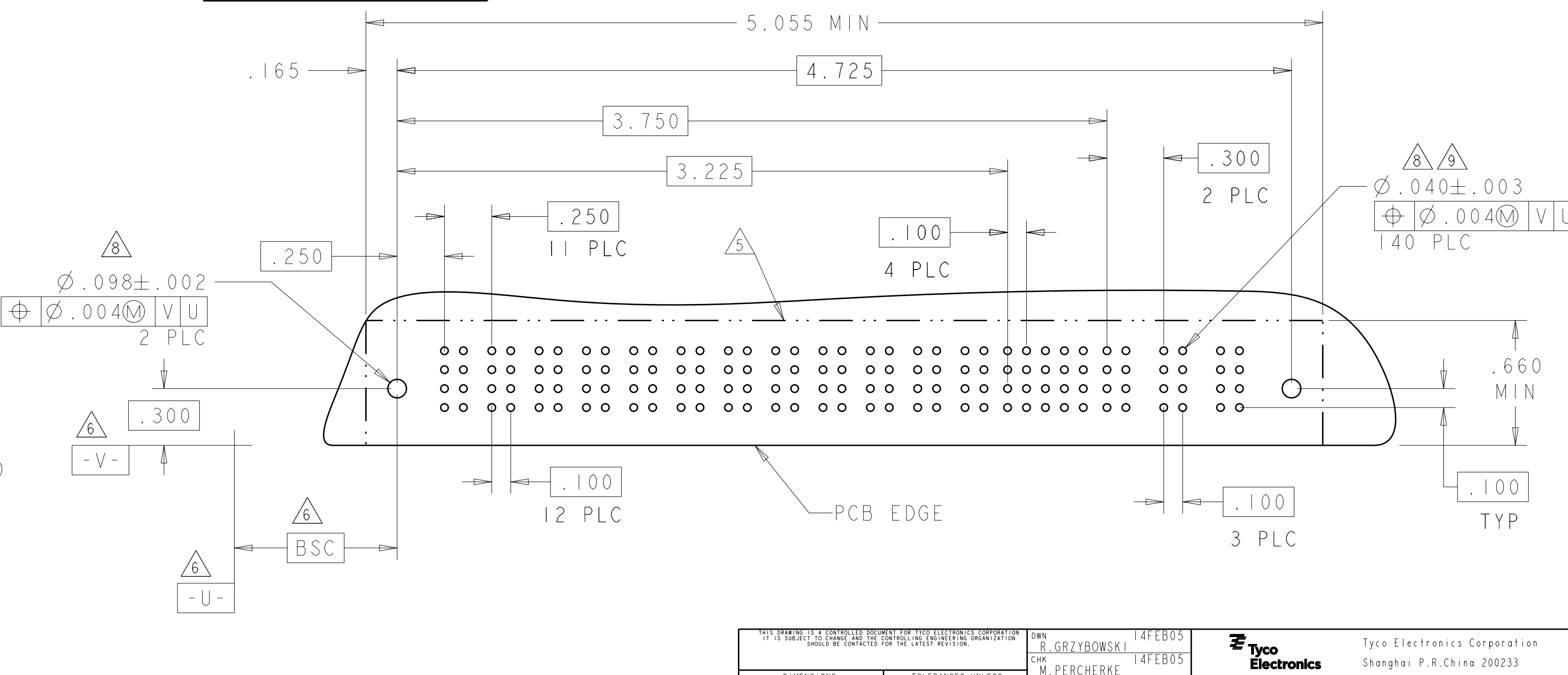
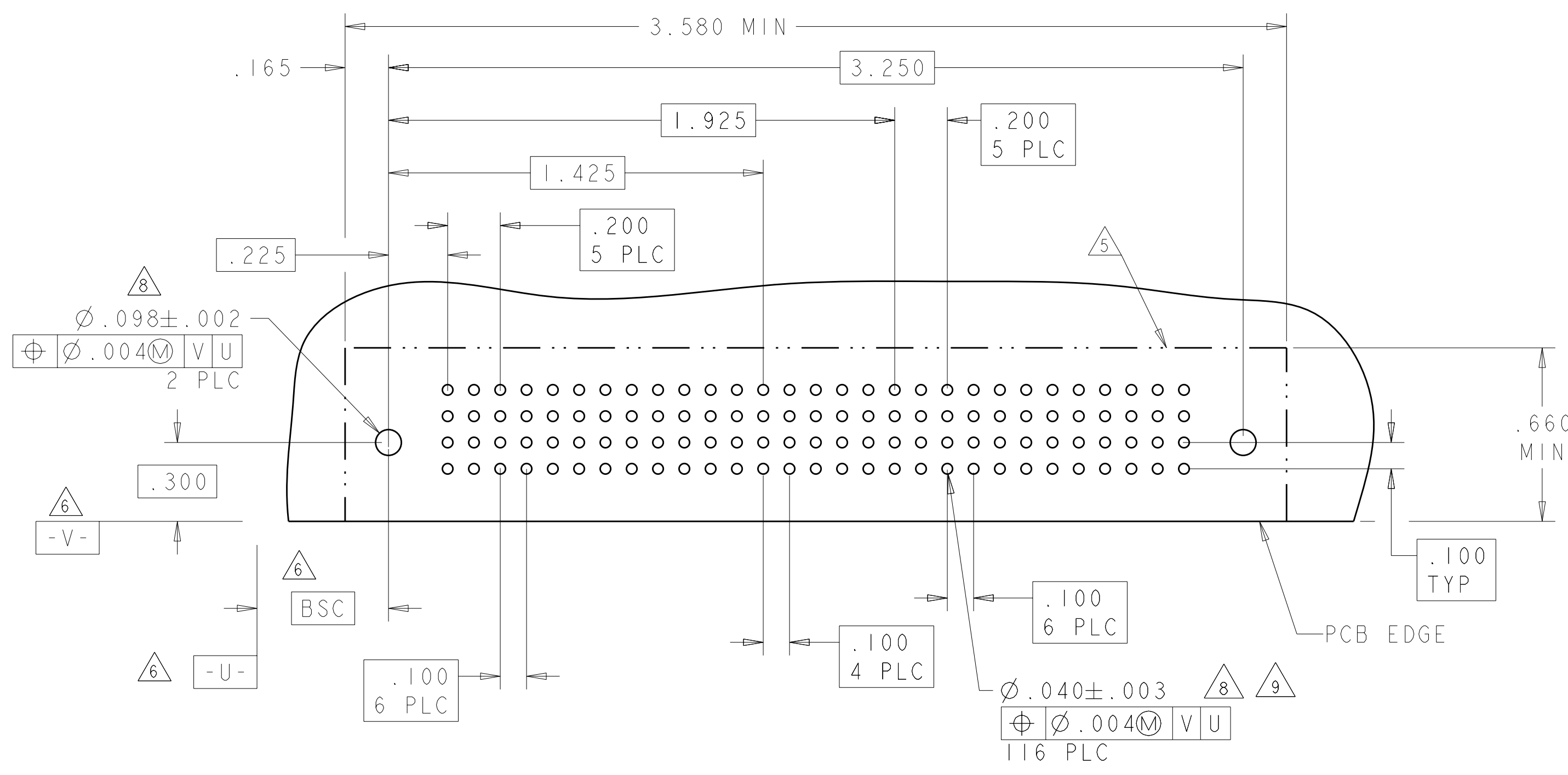
PART NUMBER	ROWS	POWER			SIGNAL													POWER								
		P1	P2	P3	1	2	3	4	5	6	7	8	9	10	11	12	13	14	15	16	17	P4	P5			
2-6450130-8	D C B A	PM	PM	PM	J	J	J	J	J	J	J	J	J	J	J	J	J	J	J	J	J	J	J	J	PM	PM
3P + 68S + 2P					N	N	N	N	N	N	N	N	N	N	N	N	N	N	N	N	N	N	N	N		
					S	S	S	S	S	S	S	S	S	S	S	S	S	S	S	S	S	S	S	S		

PART NUMBER	ROWS	POWER					SIGNAL												POWER							
		P1	P2	P3	P4	P5	1	2	3	4	5	6	7	8	9	10	11	12	P6	P7	P8					
3-6450130-2	D C B A	PM	PM	PM	PM	PM	J	J	J	J	J	J	J	J	J	J	J	J	J	J	J	J	J	PM	PM	PM
							N	N	N	N	N	N	N	N	N	N	N	N	N	N	N	N	N			
							H	S	S	S	S	S	S	S	S	S	S	S	S	S	S	S	H			



PART NUMBER	ROWS	POWER						SIGNAL					POWER					
		P1	P2	P3	P4	P5	P6	1	2	3	4	5	P7	P8	P9	P10	P11	P12
2-6450130-3	D C B A	PM	PM	PM	PM	PM	PM	E	J	J	J	J	PM	PM	PM	PM	PM	PM
								F	K	K	K	K						
								G	N	N	N	N						
								H	S	S	S	H						

PART NUMBER	ROWS	POWER												SIGNAL					POWER						
		P1	P2	P3	P4	P5	P6	P7	P8	P9	P10	P11	P12	1	2	3	4	5	P13	P14	P15				
3-6450130-6	D C B A	PM	PM	PM	PM	PM	PM	PM	PM	PM	PM	PM	PM	PM	PM	PM	PM	E	E	J	J	J	PM	PM	PM
																		K	K	F	K	K			
																		N	N	N	N	N			
																		H	S	H	S	S			

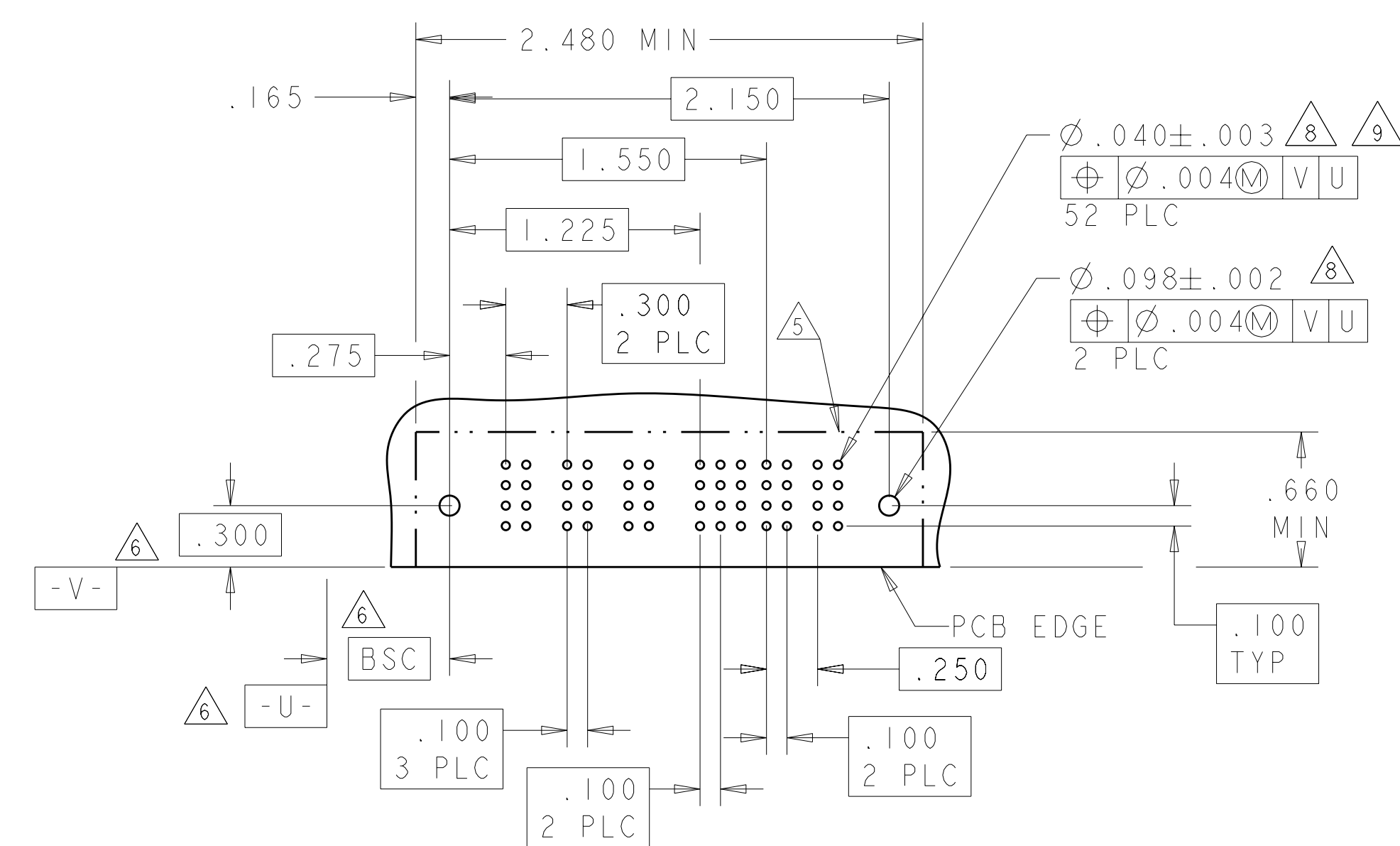


DIMENSIONS: INCHES 		TOLERANCES UNLESS OTHERWISE SPECIFIED: 9 PLC ±.01 5 PLC ±.005 4 PLC ±.0020 ANGLES ±.0020		DWN: R. GRZYBOWSKI 14FEB05 CHK: M. PERCHERKE 14FEB05 APVD: M. PERCHERKE PRODUCT SPEC: 108-1973 APPLICATION SPEC: 114-13038 WEIGHT: - CUSTOMER DRAWING		Tyco Electronics Corporation Shanghai, P.R.China 200233 NAME: RIGHT ANGLE HEADER ASSEMBLY W/GUIDES MULTI-BEAM XL SIZE: A1 CAGE CODE: 00779 DRAWING NO: 6450130 SHEET: 9 OF 20 REV: L1	
------------------------	--	------------------------------------------------------------------------------------------------------	--	-------------------------------------------------------------------------------------------------------------------------------------------------------------------------	--	------------------------------------------------------------------------------------------------------------------------------------------------------------------------------------------------------------	--

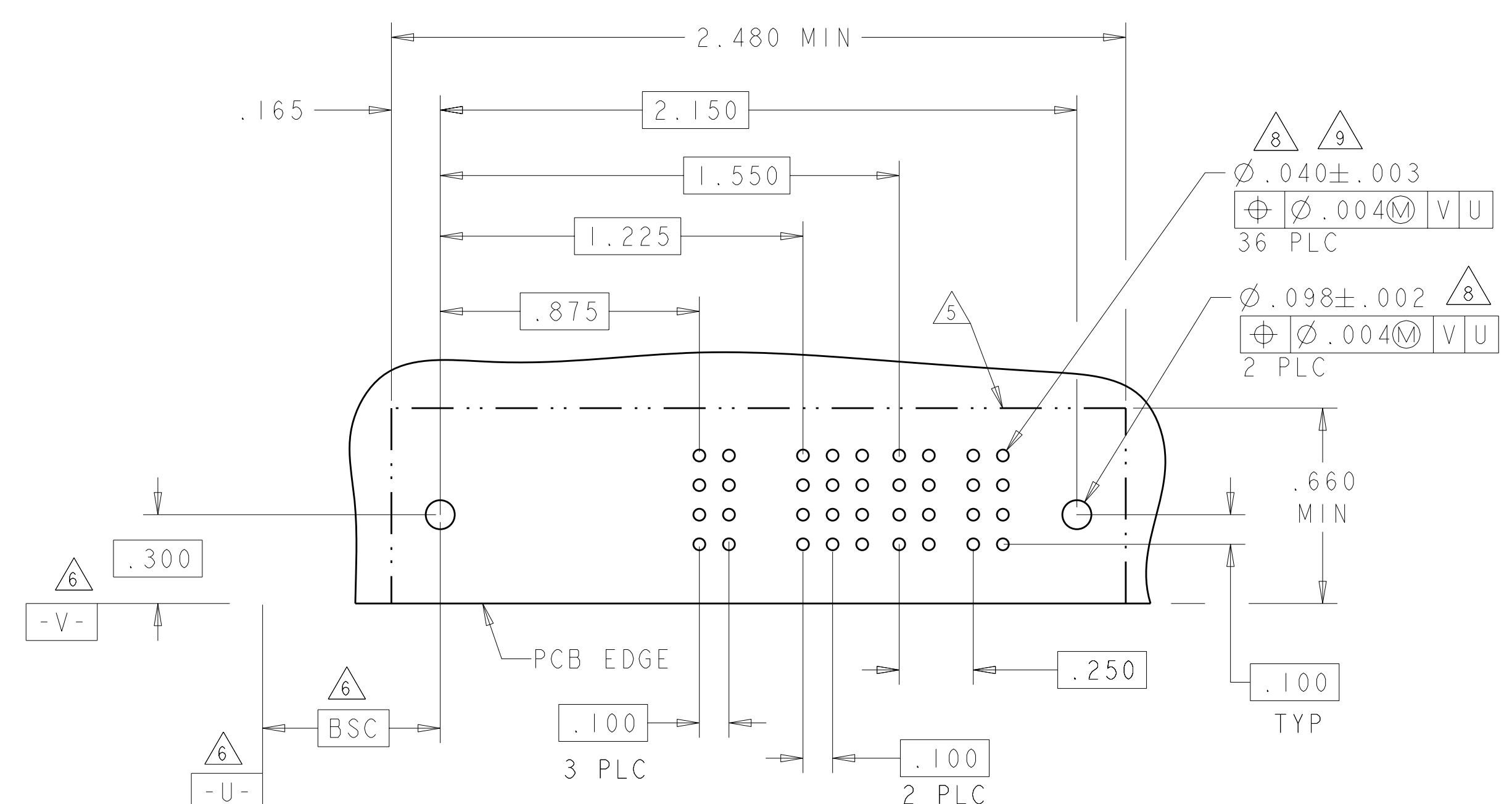
LOC	DIST	REV	DATE	BY	APPD
ES	00				
REVISIONS			DESCRIPTION	DATE	BY
			SEE SHEET 1		

PART NUMBER	ROWS	POWER			SIGNAL				POWER	
		P1	P2	P3	1	2	3	4	P4	P5
3-6450130-9	D	PM	PM	PM	J	J	J	PM	PM	HD
	C				K	K	K			
	B				N	N	N			
	A				S	S	H			
3ACP + 16S + 2P										

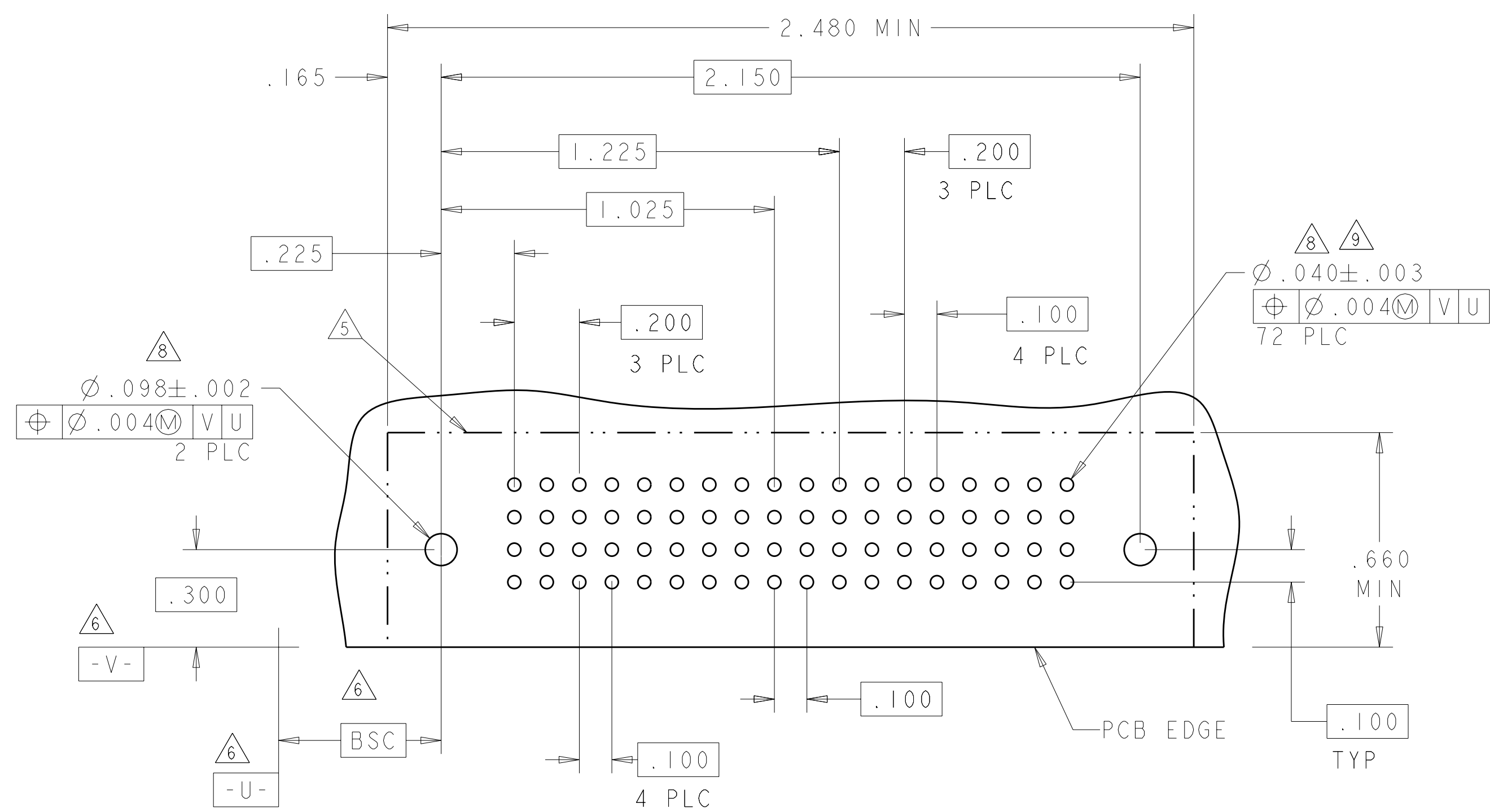
CONTACTS NOT LOADED



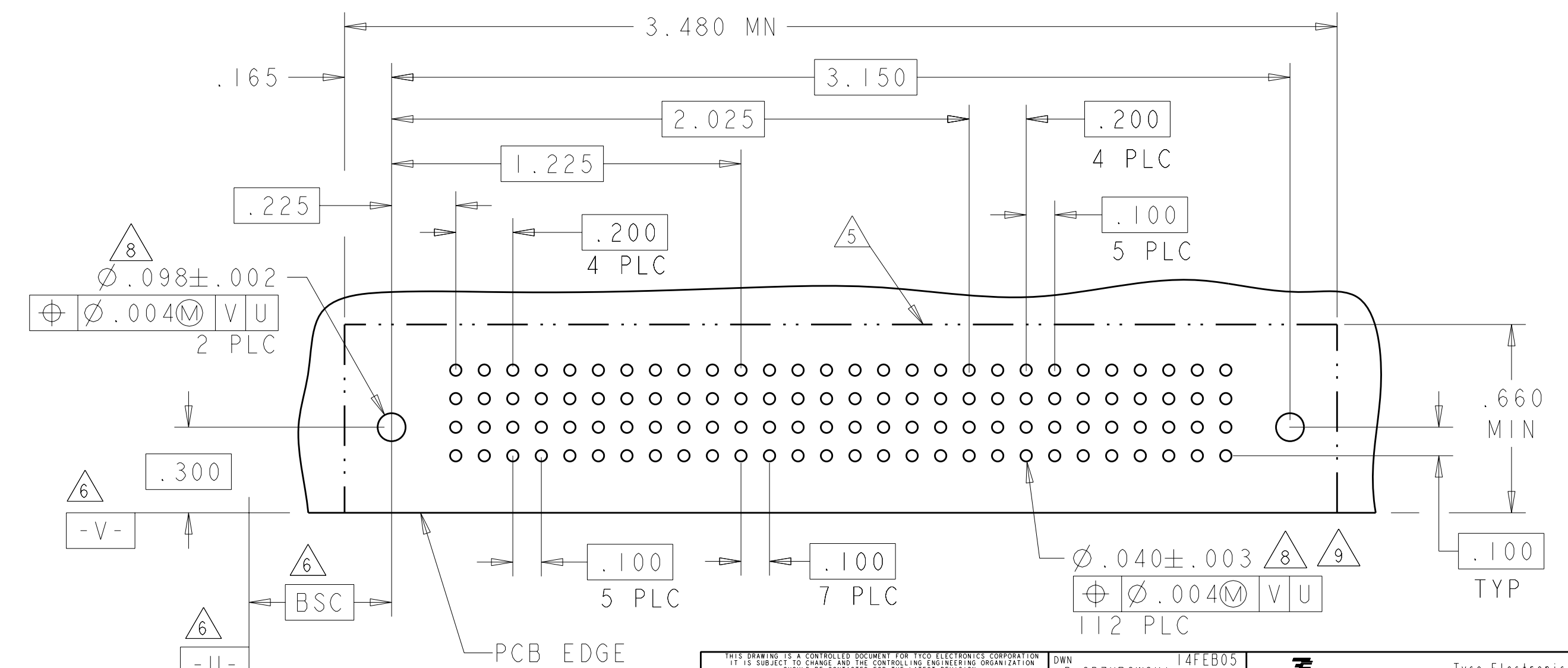
PART NUMBER	ROWS	POWER			SIGNAL				POWER	
		P1	P2	P3	1	2	3	4	P4	P5
4-6450130-3	D	PM	PM	PM	J	J	J	PM	PM	HD
	C				K	K	K			
	B				N	N	N			
	A				S	S	H			
3ACP + 16S + 2P										



PART NUMBER	ROWS	POWER				SIGNAL				POWER			
		P1	P2	P3	P4	1	2	P5	P6	P7	P8		
4-6450130-0	D	PA	PA	PA	PA	Z	Z	PA	PA	PA	PA	HD	
	C					Y	Y						
	B					R	R						
	A					O	O						
4P + 8S + 4P													



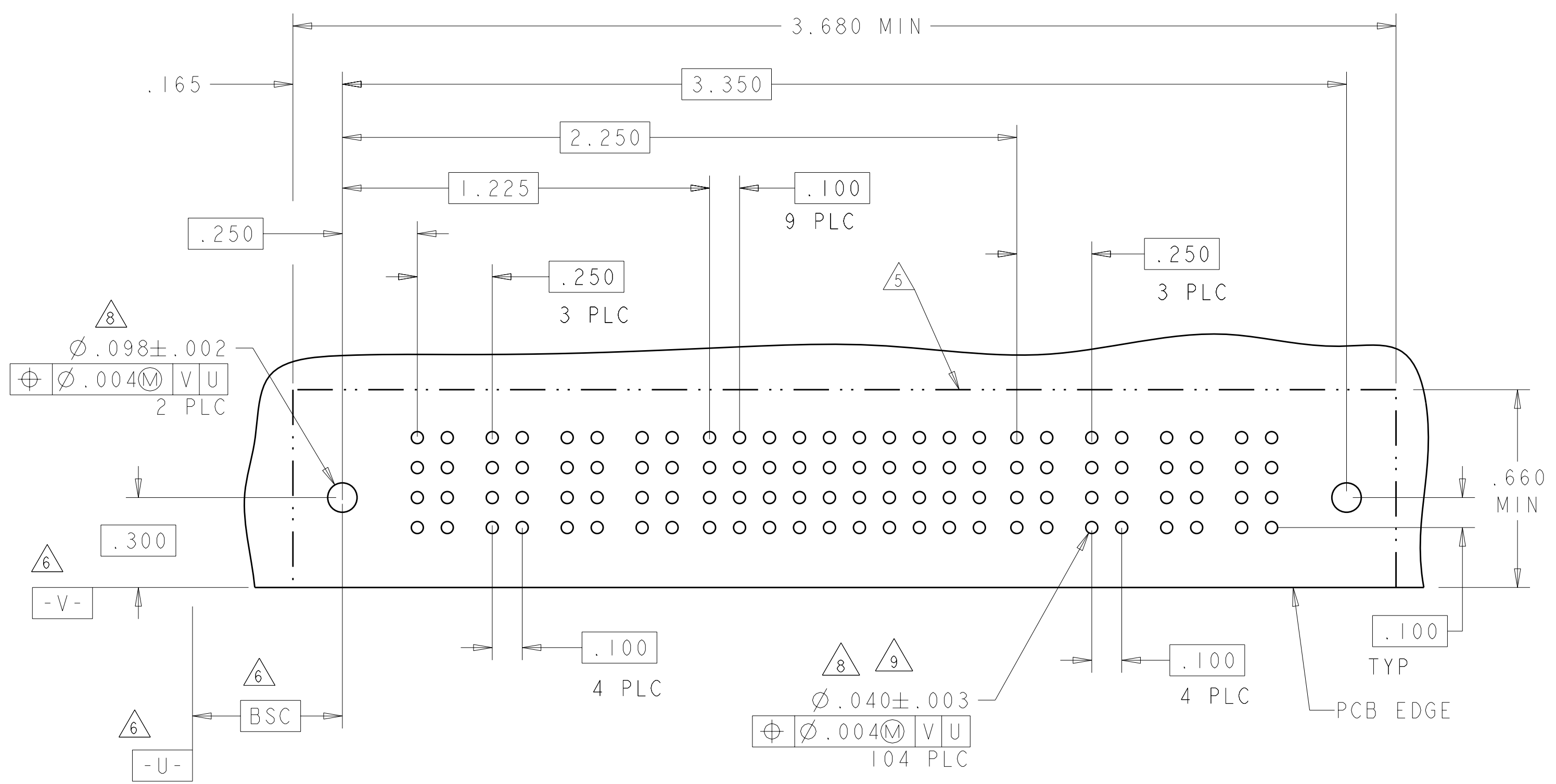
PART NUMBER	ROWS	POWER					SIGNAL								POWER					
		P1	P2	P3	P4	P5	1	2	3	4	5	6	7	8	P6	P7	P8	P9	P10	
4-6450130-5	D	PM	PM	PM	PM	PM	J	J	J	J	J	J	J	PM	PM	PM	PM	PM	PM	HD
	C						K	K	K	K	K	K	K							
	B						N	N	N	N	N	N	N							
	A						H	H	H	H	H	H	H							
5P + 32S + 5P																				



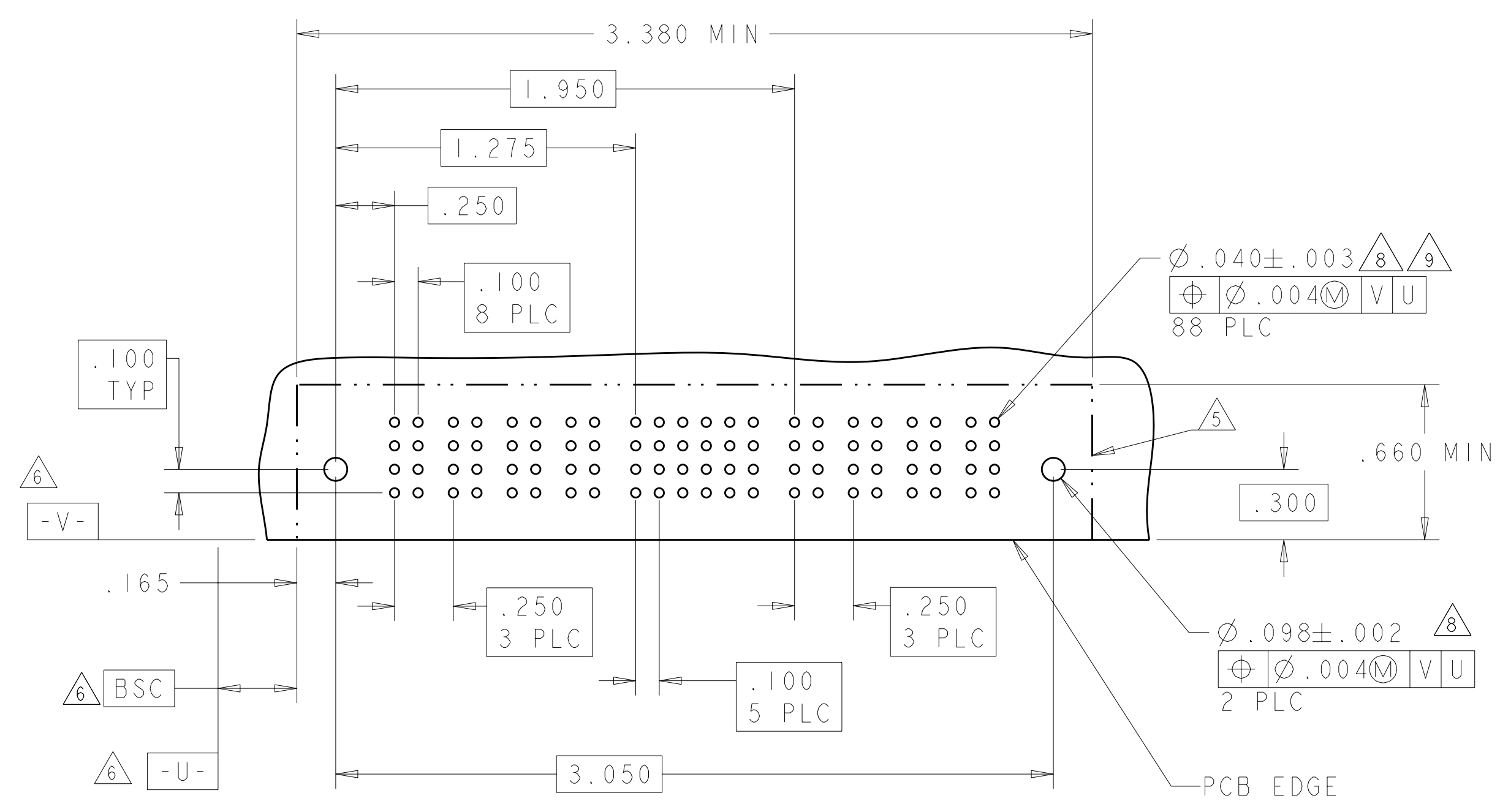
DIMENSIONS: INCHES		TOLERANCES UNLESS OTHERWISE SPECIFIED:		DWN: GRZYBOWSKI 14FEB05		Tyco Electronics Corporation	
9 PLC ±.01		9.9999 ±.0001		CHK: M. PERCHERKE 14FEB05		Shanghai, P.R.China 200233	
5 PLC ±.01		5.9999 ±.0001		APVD: M. PERCHERKE		NAME: RIGHT ANGLE HEADER ASSEMBLY W/GUIDES	
4 PLC ±.005		4.9999 ±.0001		PRODUCT SPEC: 108-1973		MULTI-BEAM XL	
3 PLC ±.002		3.9999 ±.0001		APPLICATION SPEC: 114-13038		SIZE: CAGE CODE: DRAWING NO: RESTRICTED TO	
2 PLC ±.002		2.9999 ±.0001		MATERIAL: FINISH:		SCALE: 2:1 SHEET 10 OF 20 REV: L	
1 PLC ±.002		1.9999 ±.0001		WEIGHT:		CUSTOMER DRAWING	

LOC	DIST	REV	DATE	BY	APPD
ES	00				
REVISIONS			DESCRIPTION	DATE	BY
			SEE SHEET 1		

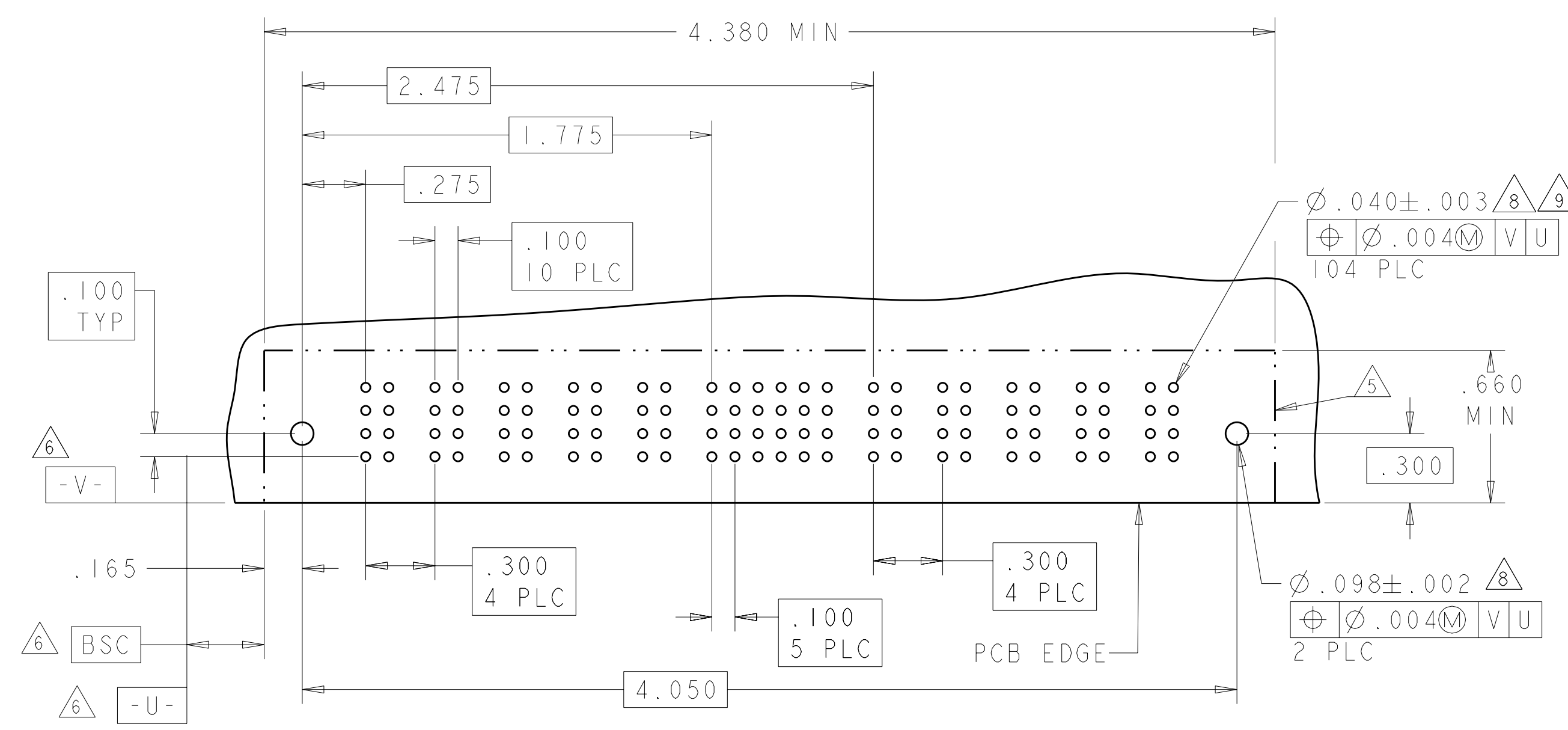
PART NUMBER	ROWS	POWER				SIGNAL										POWER										
		P1	P2	P3	P4	1	2	3	4	5	6	7	8	9	10	P5	P6	P7	P8							
4-6450130-8	D	PM	PM	PM	PM	J	J	J	J	J	J	J	J	J	J	J	J	J	J	J	PM	PM	PM	PM		
	C					K	K	K	K	K	K	K	K	K	K	K	K	K	K	K					K	
	B					N	N	N	N	N	N	N	N	N	N	N	N	N	N	N					N	N
	A					H	S	S	S	S	S	S	S	S	S	S	S	S	H							
		4P + 40S + 4P																								



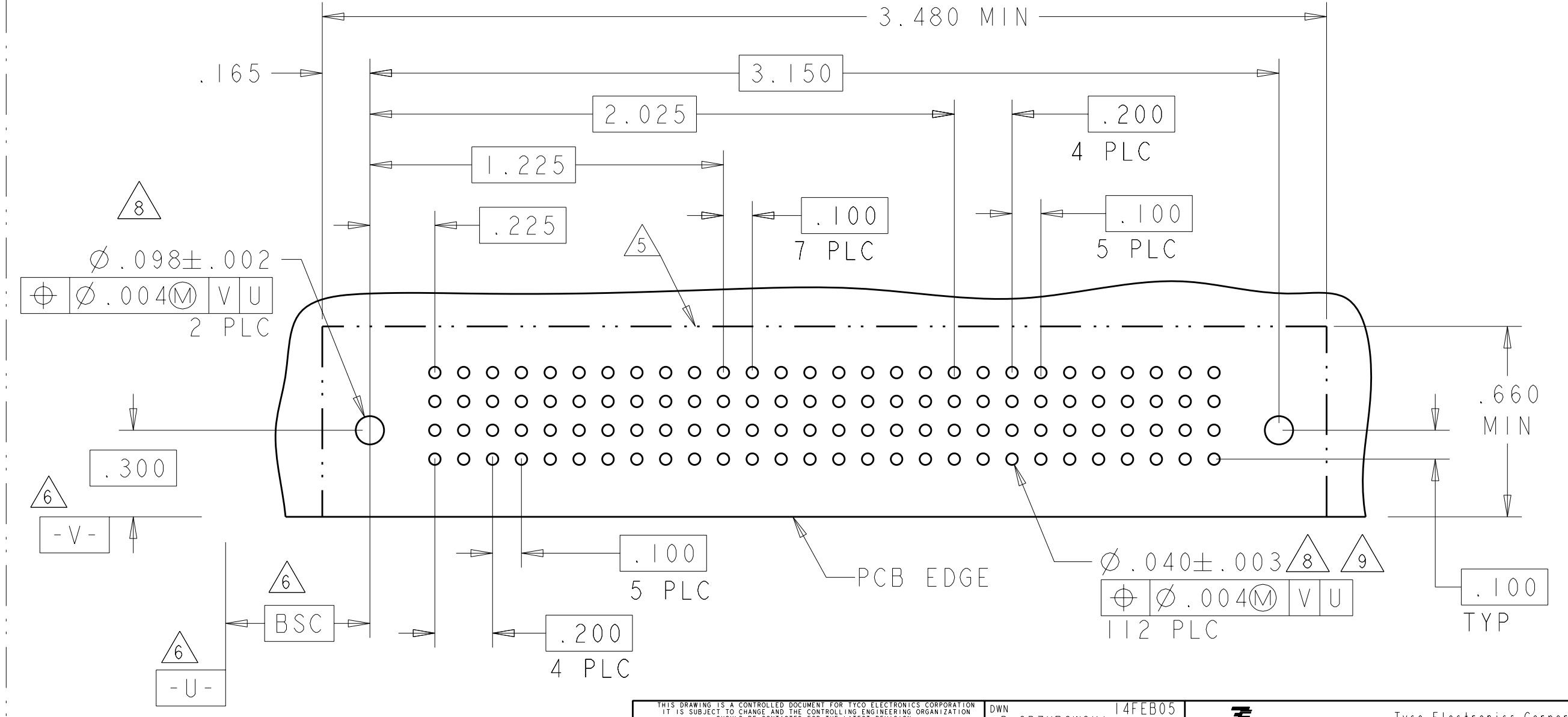
PART NUMBER	ROWS	POWER				SIGNAL										POWER										
		P1	P2	P3	P4	1	2	3	4	5	6	P5	P6	P7	P8											
4-6450130-9	D	PM	PM	PM	PM	J	J	J	J	J	J	J	J	J	J	J	J	J	J	PM	PM	PM	PM			
	C					K	K	K	K	K	K	K	K	K	K	K	K	K	K					K	K	
	B					N	N	N	N	N	N	N	N	N	N	N	N	N	N					N	N	N
	A					H	H	H	H	H	H	H	H	H	H	H	H	H	H					H	H	H
		4P + 24S + 4P																								



PART NUMBER	ROWS	POWER					SIGNAL										POWER													
		P1	P2	P3	P4	P5	1	2	3	4	5	6	7	8	9	10	P6	P7	P8	P9	P10									
5-6450130-0	D	PM	PM	PM	PM	PM	J	J	J	J	J	J	J	J	J	J	J	J	J	J	J	J	PM	PM	PM	PM	PM			
	C						K	K	K	K	K	K	K	K	K	K	K	K	K	K	K	K						K	K	
	B						N	N	N	N	N	N	N	N	N	N	N	N	N	N	N	N						N	N	N
	A						H	H	H	H	H	H	H	H	H	H	H	H	H	H	H	H						H	H	H
		5ACP + 24S + 5ACP																												



PART NUMBER	ROWS	POWER					SIGNAL										POWER													
		P1	P2	P3	P4	P5	1	2	3	4	5	6	7	8	9	10	P6	P7	P8	P9	P10									
5-6450130-5	D	PM	PM	PM	PM	PM	J	J	J	J	J	J	J	J	J	J	J	J	J	J	J	J	PM	PM	PM	PM	PM			
	C						K	K	K	K	K	K	K	K	K	K	K	K	K	K	K	K						K	K	
	B						N	N	N	N	N	N	N	N	N	N	N	N	N	N	N	N						N	N	N
	A						H	H	H	H	H	H	H	H	H	H	H	H	H	H	H	H						H	H	H
		5P + 32S + 5P																												



DIMENSIONS: INCHES		TOLERANCES UNLESS OTHERWISE SPECIFIED:		DWG. NO. 14FEB05		REV. 14FEB05		Tyco Electronics Corporation	
9 PLC	±.01	9 PLC	±.01	CHY. M. PERCHERKE	NAME	108-1973	PRODUCT SPEC	Shanghai, P.R.China 200233	
5 PLC	±.005	5 PLC	±.005	APVD M. PERCHERKE	NAME	114-13038	APPLICATION SPEC	RIGHT ANGLE HEADER ASSEMBLY W/GUIDES	
4 PLC	±.002	4 PLC	±.002	MATERIAL		SCALE	2:1	MULTI-BEAM XL	
2 PLC	±.002	FINISH		WEIGHT		SHEET	11	REV. 1	
CUSTOMER DRAWING				CAGE CODE		DRAWING NO.		RESTRICTED TO	
				A11 00779		C=6450130			





LOC	DIST	REV	DATE	DWN	APVD
ES	00				
P LTR		DESCRIPTION		DATE	DWN
		SEE SHEET 1			

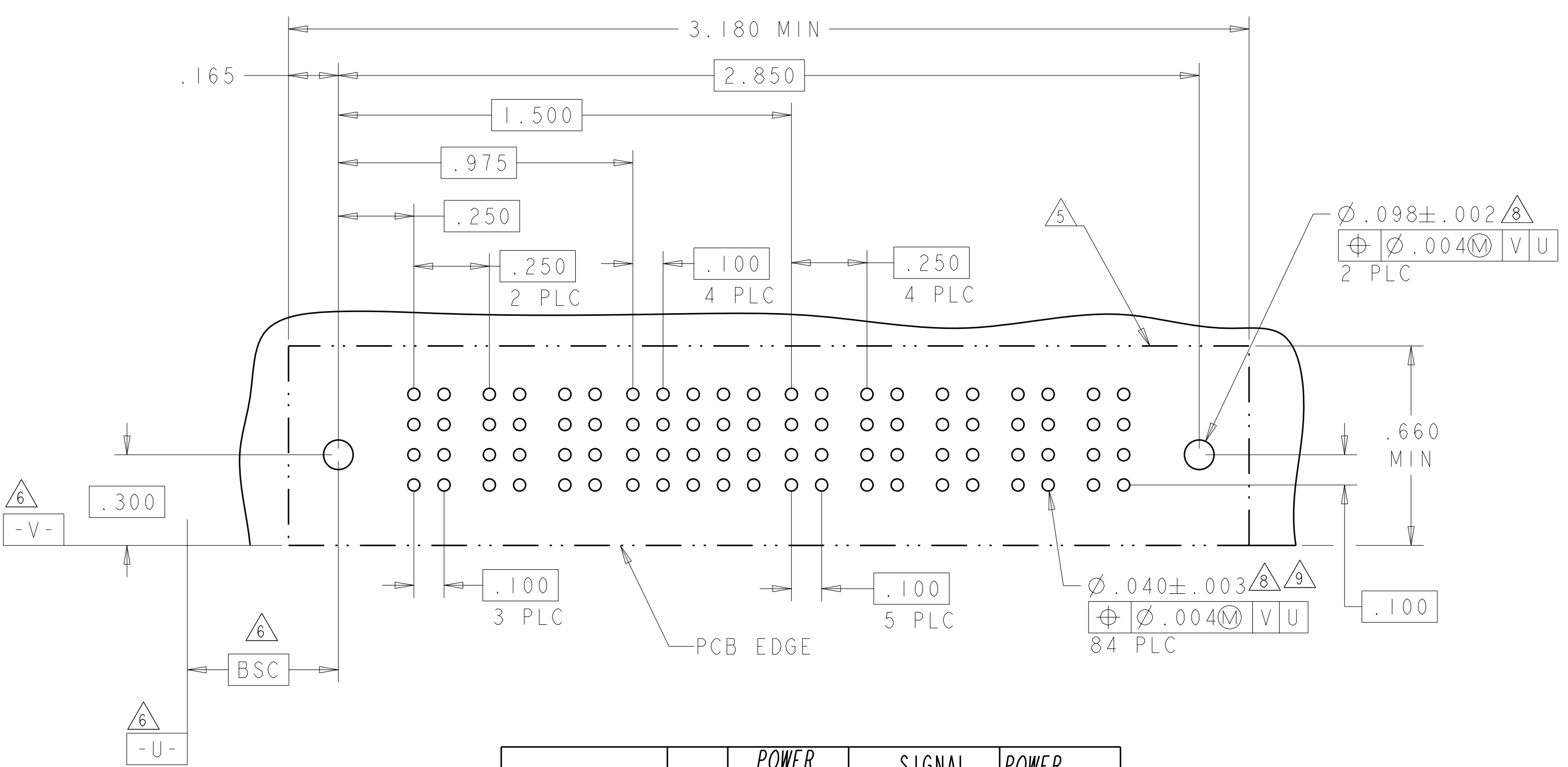
PART NUMBER	ROWS	POWER			SIGNAL					POWER					
		P1	P2	P3	1	2	3	4	5	P4	P5	P6	P7	P8	
8-6450130-4	D C B A	PM	PM	PM	J	J	J		J						
					K	K	K		K						
					N	N	N		N						
					S	S	S		S			H			

3P + 20S + 5P

NO CONTACTS LOADED

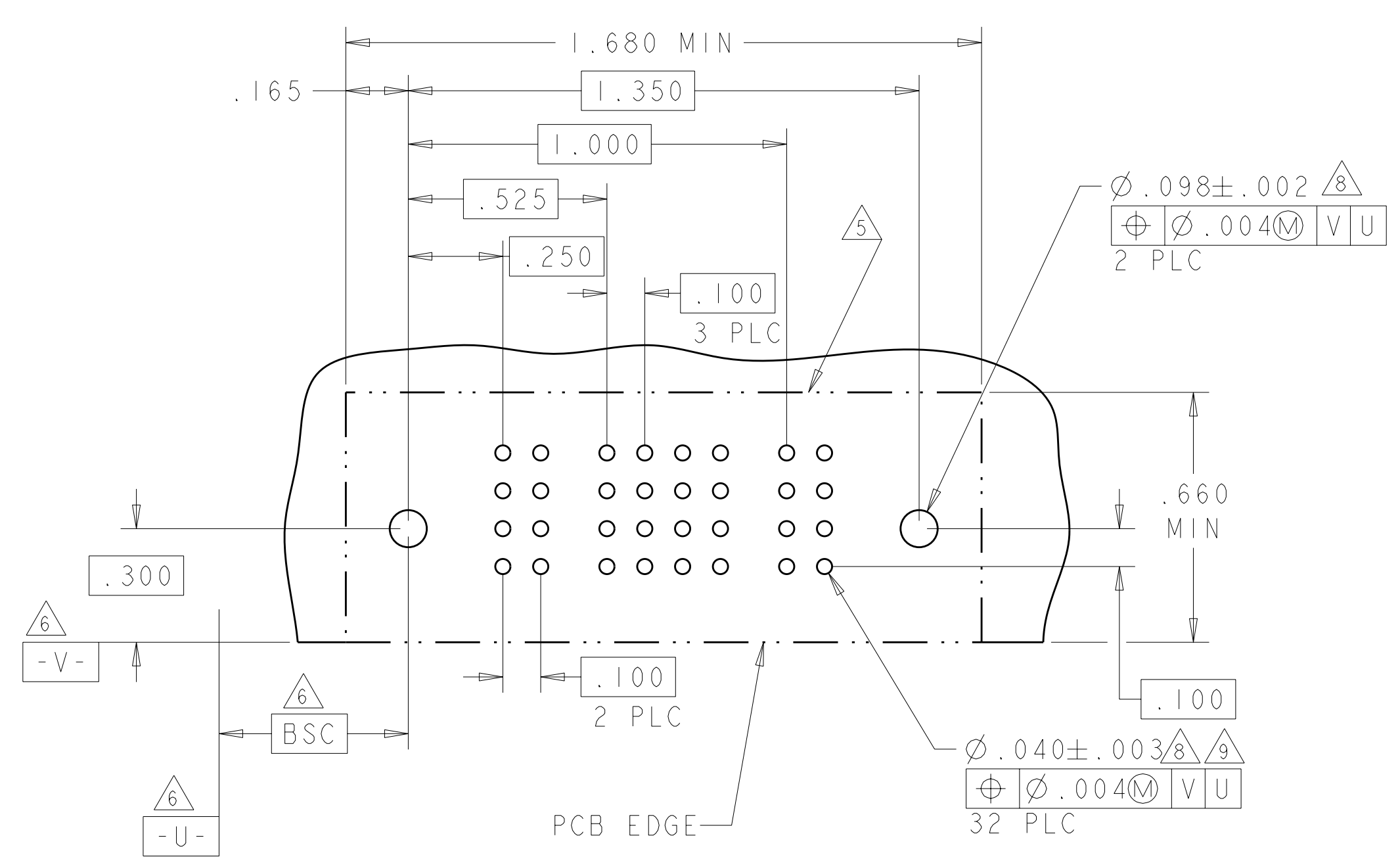
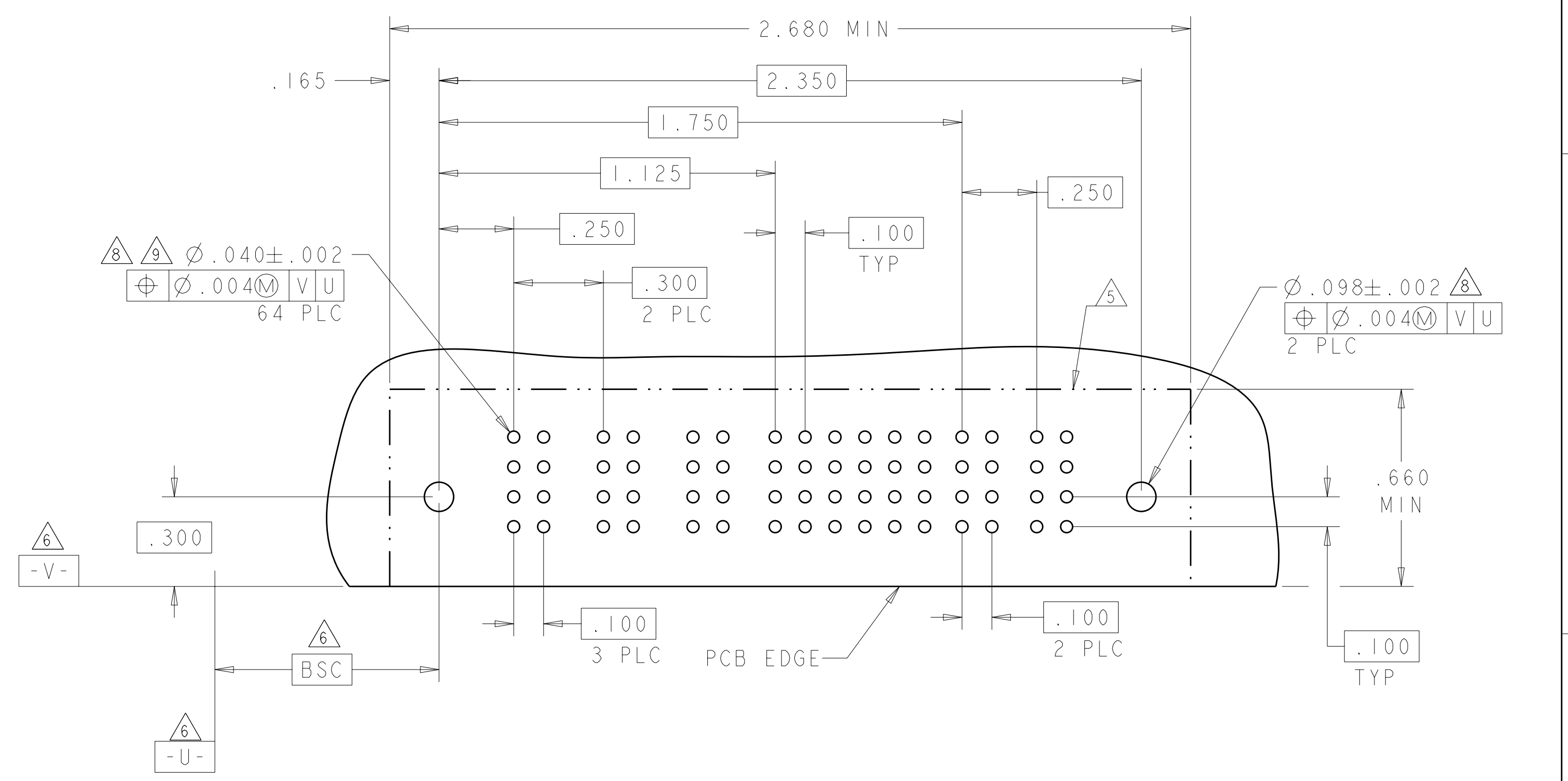
PART NUMBER	ROWS	POWER			SIGNAL						POWER		
		P1	P2	P3	1	2	3	4	5	6	P4	P5	
5-6450130-1	D C B A	PM	PM	PM	J	J	E	J	J	J			
					K	K	K	K	K				
					N	N	G	N	N				
					S	S	S	S	S				

3ACP + 24S + 2P



PART NUMBER	ROWS	POWER		SIGNAL				POWER	
		P1	P2	1	2	3	4	P2	P1
8-6450130-5	D C B A	PM	PM	J	E	J	E		
				K	K	K	K		
				N	N	N	N		
				S	S	S	S		

IP + 16S + IP

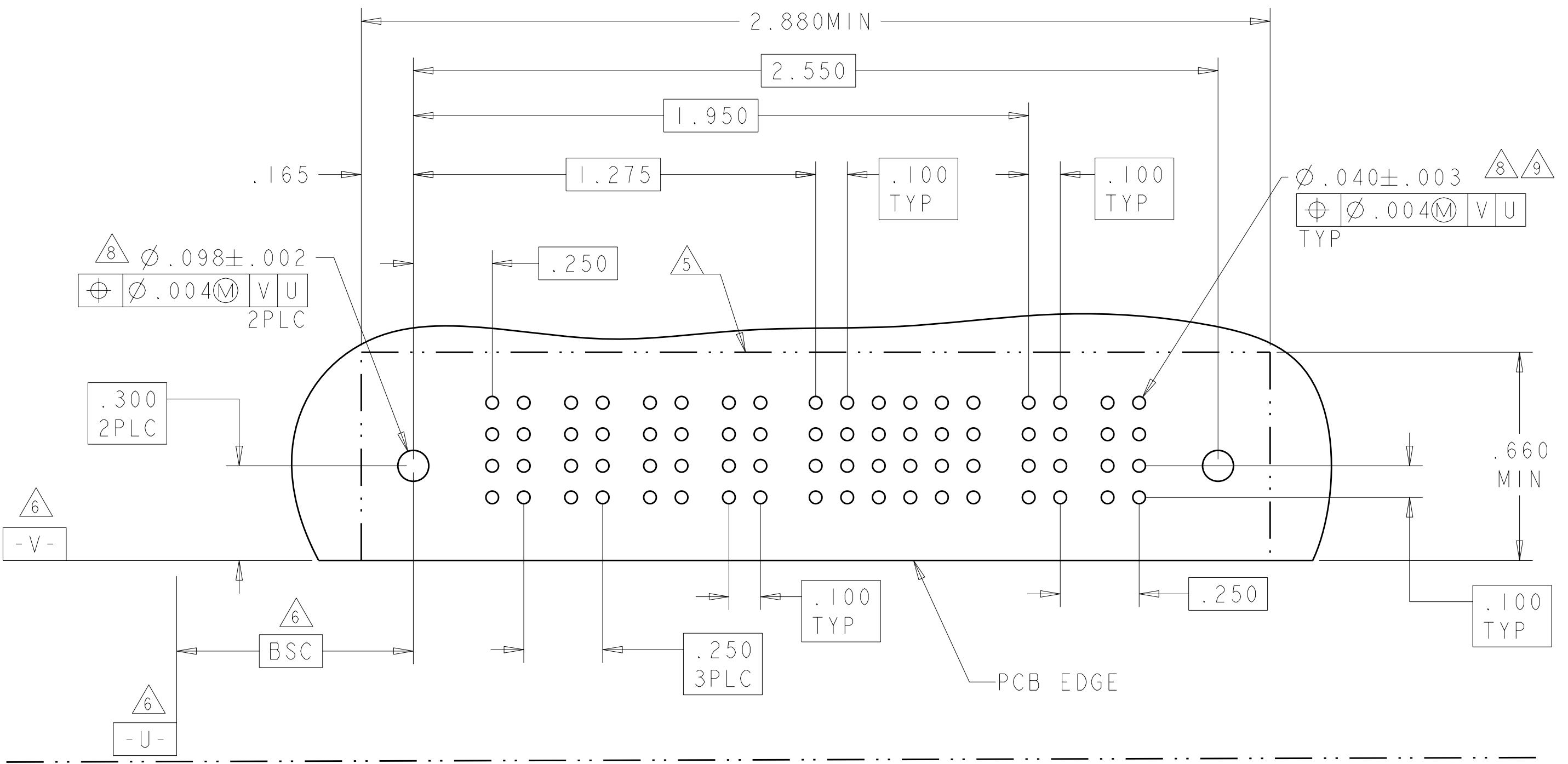


<small>THIS DRAWING IS UNPUBLISHED. RELEASED FOR PUBLICATION BY TYCO ELECTRONICS CORPORATION, ALL RIGHTS RESERVED.</small>		DWN: R. GRZYBOWSKI 14FEB05 CHK: M. PERCHERKE 14FEB05 APVD: M. PERCHERKE	Tyco Electronics Corporation Shanghai, P.R.China 200233
DIMENSIONS: INCHES 	TOLERANCES UNLESS OTHERWISE SPECIFIED: 9 PLC ±. 1 PLC ±.01 2 PLC ±.01 3 PLC ±.005 4 PLC ±.0020 ANGLES ±.2°	NAME: RIGHT ANGLE HEADER ASSEMBLY W/GUIDES MULTI-BEAM XL PRODUCT SPEC: 108-1973 APPLICATION SPEC: 114-13038 WEIGHT: - FINISH: -	SIZE: A CAGE CODE: 00779 DRAWING NO: C=6450130 RESTRICTED TO: - SCALE: 2:1 SHEET: 14 OF 20 REV: L1
MATERIAL: -		CUSTOMER DRAWING	

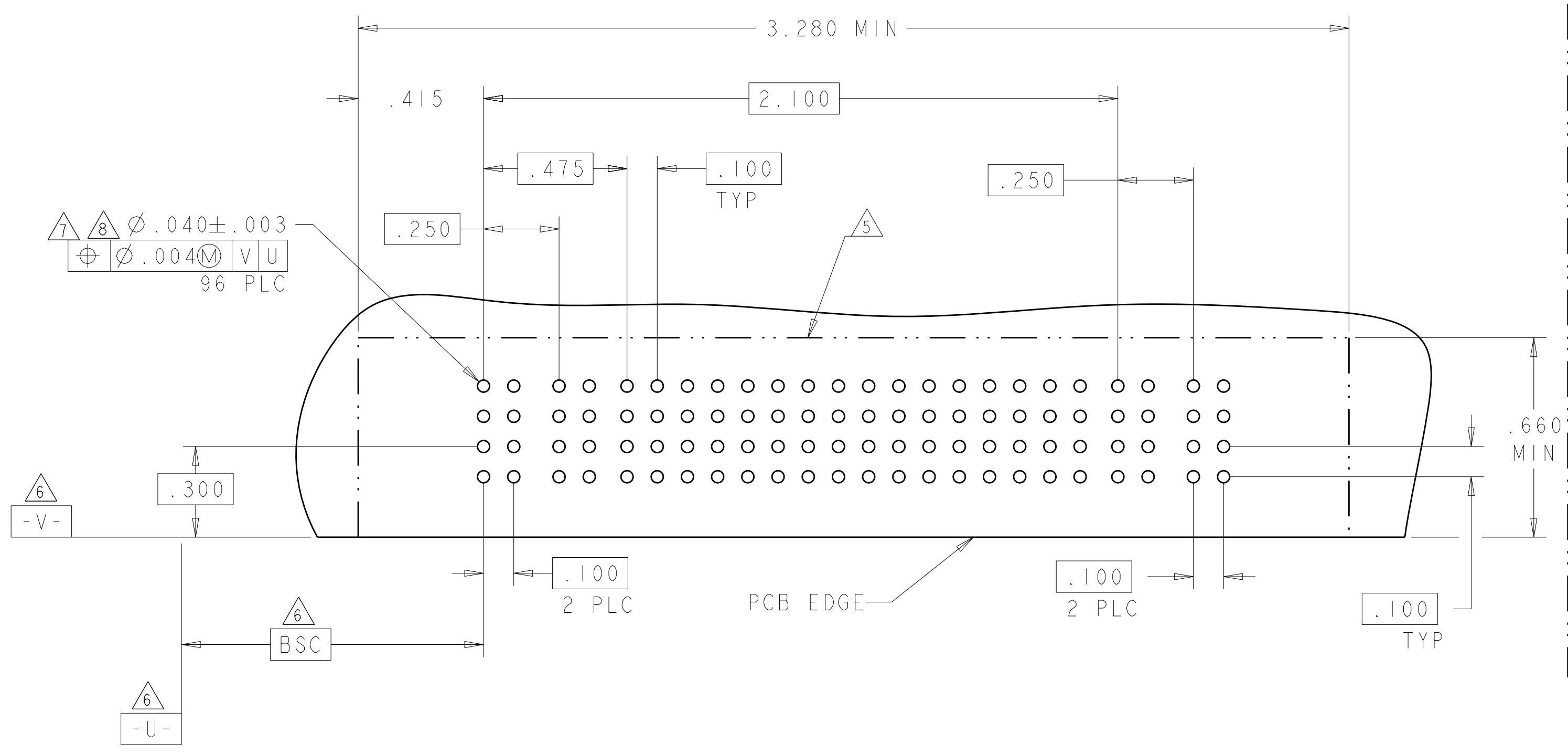


LOC	DIST	REV	DATE	BY	APPD
ES	00				
REVISONS		DESCRIPTION	DATE	BY	APPD
		SEE SHEET 1			

PART NUMBER	ROWS	POWER				SIGNAL						POWER	
		P1	P2	P3	P4	1	2	3	4	5	6	P5	P6
5-6450130-8	D	PM	PM	PM	PM	J	J	J	E	J	J	PM	PM
	C					K	K	K	K	K	K		
	B					N	N	N	N	N	N		
	A					S	S	S	S	S	S		
4P + 24S + 2P													



PART NUMBER	ROWS	POWER		SIGNAL																POWER							
		P1	P2	1	2	3	4	5	6	7	8	9	10	11	12	13	14	15	16	P3	P4						
8-6450130-7	D	PA	PA	A	4	A	4	A	4	A	4	A	4	A	4	A	4	A	4	A	4	A	4	PA	PA		
	C			A	3	A	3	A	3	A	3	A	3	A	3	A	3	A	3	A	3	A	3				
	B			A	2	A	2	A	2	A	2	A	2	A	2	A	2	A	2	A	2	A	2			A	2
	A			A	1	A	1	A	1	A	1	A	1	A	1	A	1	A	1	A	1	A	1			A	1
2P + 64S + 2P																											

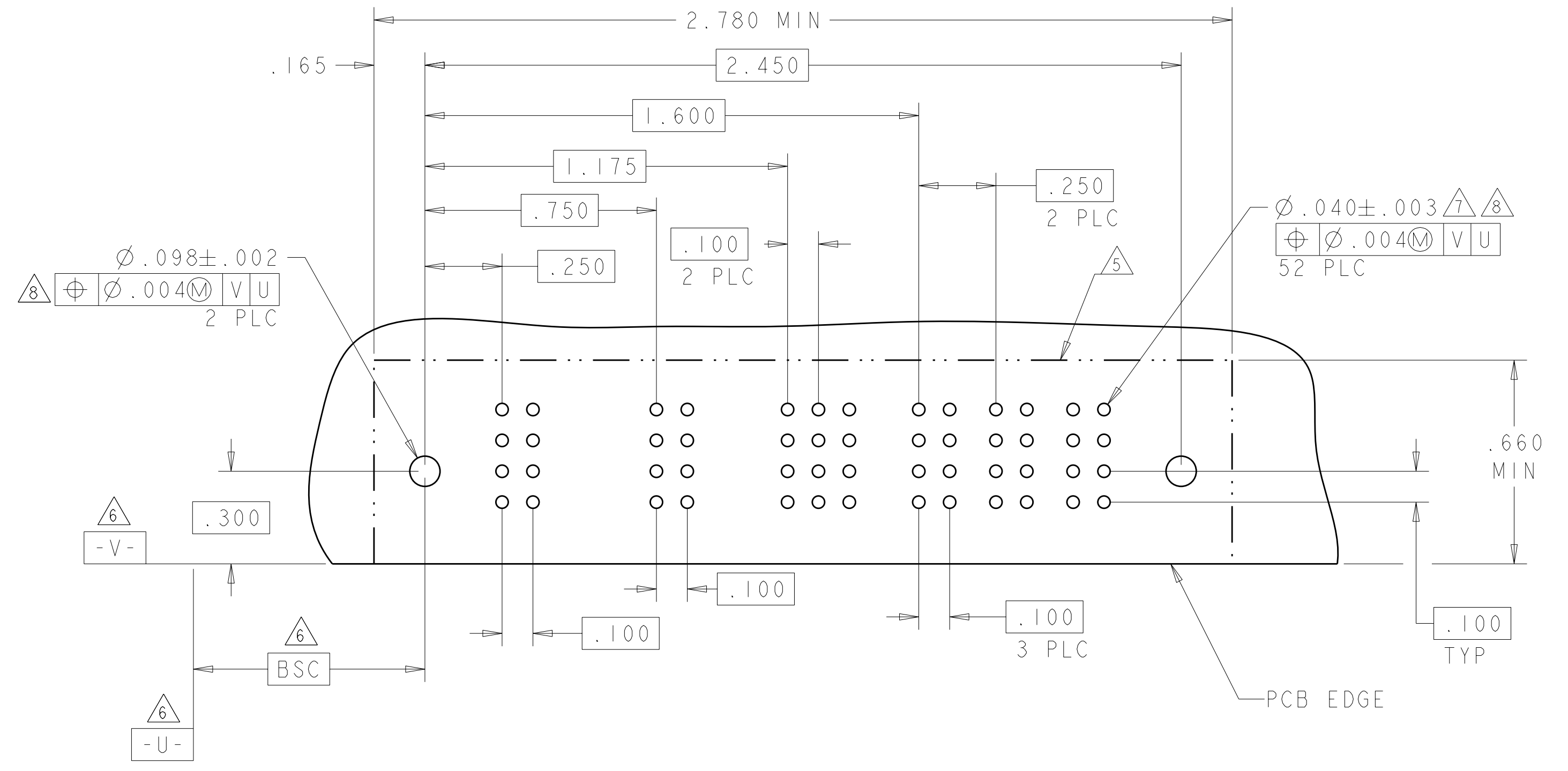


PART NUMBER	ROWS	POWER			SIGNAL						POWER		
		P1	P2	P3	1	2	3	4	5	6	P4	P5	P6
8-6450130-6	D	PM	PM	PM	J	J	J	PM	PM	PM	PM	PM	
	C				K	K	K						
	B				N	N	N						
	A				S	S	S						
3P + 24S + 3P													

NO CONTACTS LOADED

PART NUMBER	ROWS	POWER			SIGNAL						POWER		
		P1	P2	P3	1	2	3	4	5	6	P4	P5	P6
9-6450130-0	D	PM	PM	PM	E	E	E	PM	PM	PM	PM	PM	
	C				F	F	F						
	B				G	G	G						
	A				H	H	H						
3P + 24S + 3P													

NO CONTACT LOADED



8-6450130-6 AND 9-6450130-0 HAVE THE SAME PCB LAYOUT

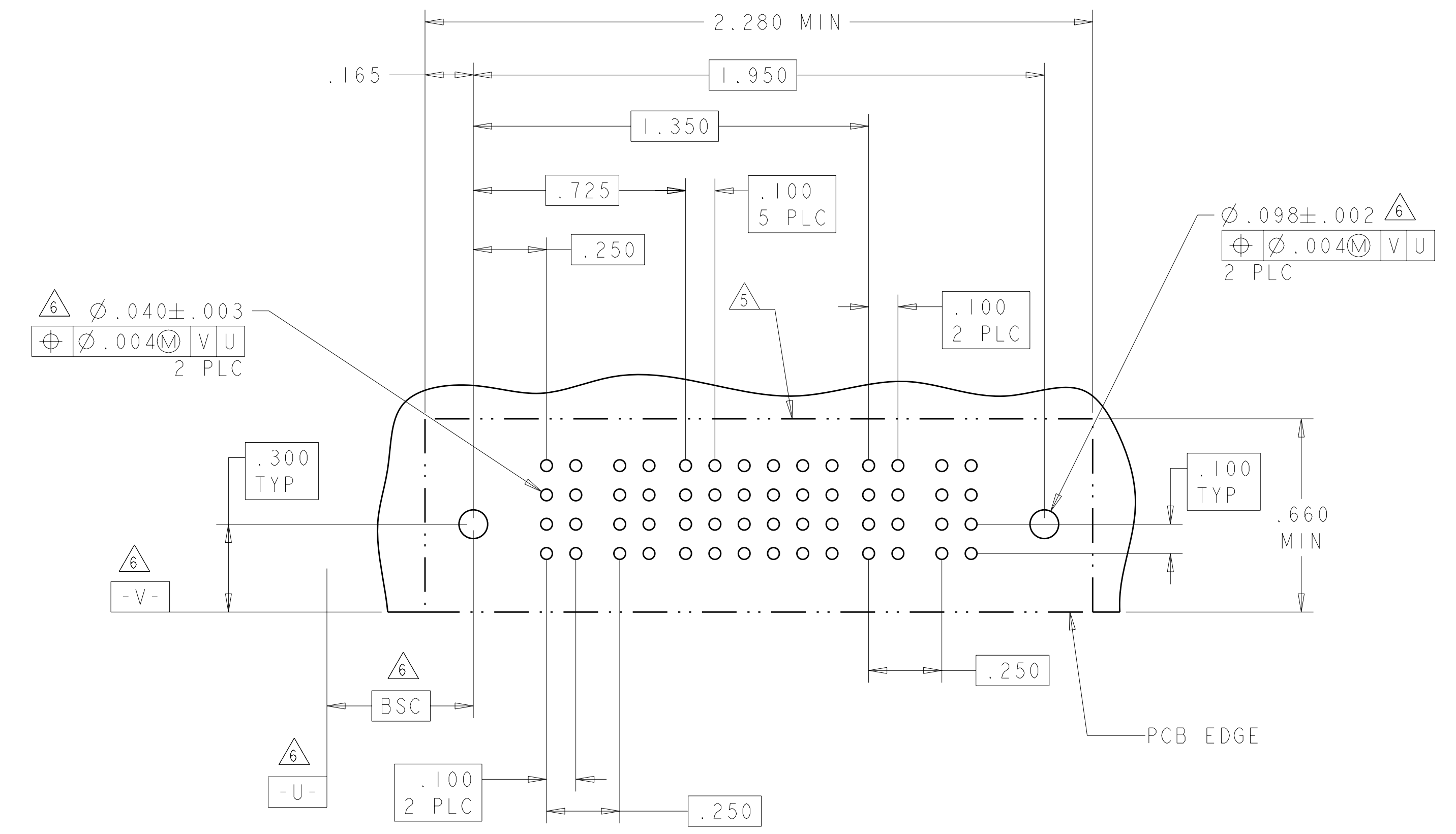
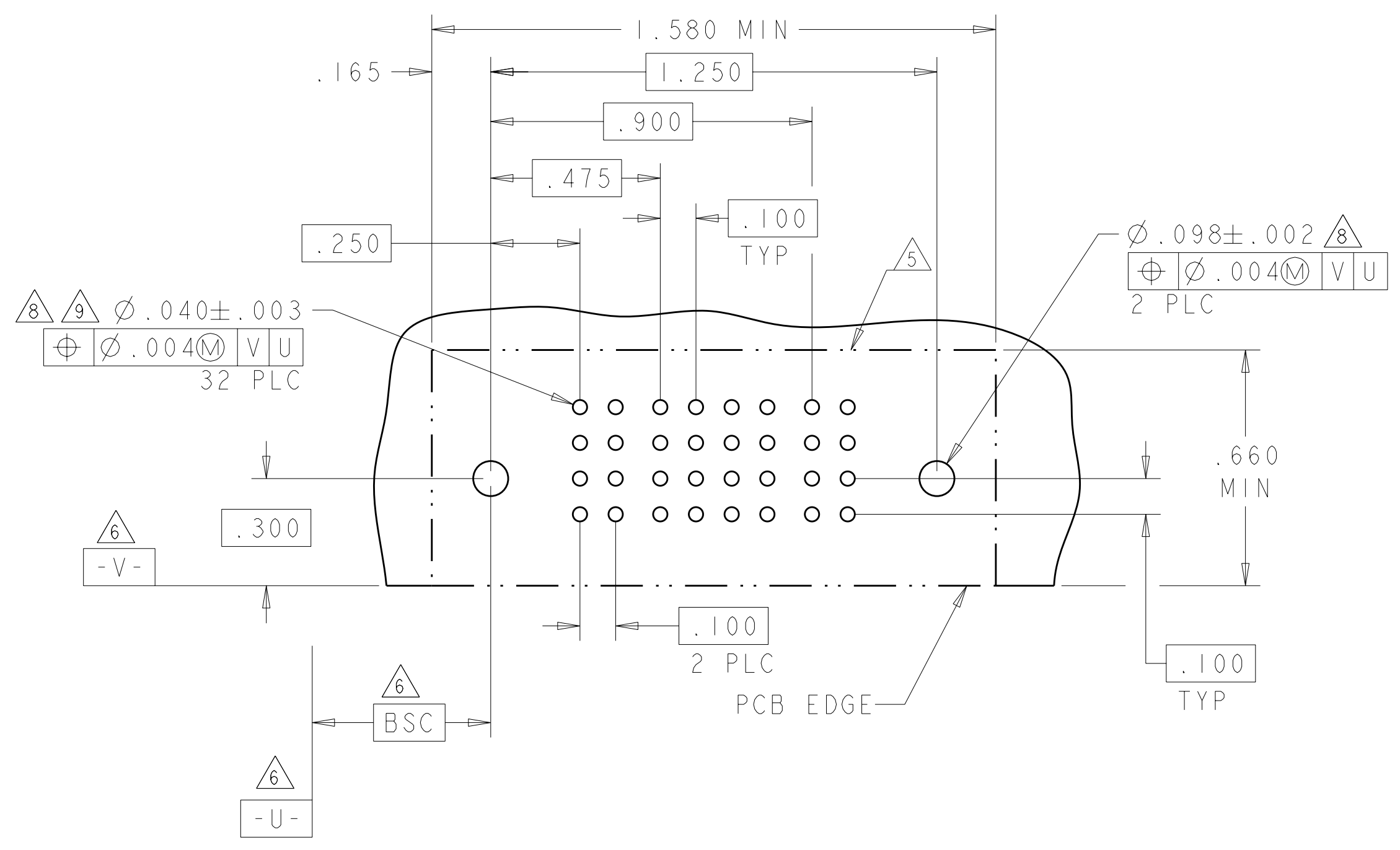
DIMENSIONS:		TOLERANCES UNLESS OTHERWISE SPECIFIED:		DWG: R. GRZYBOWSKI 14FE805		Tyco Electronics Corporation	
INCHES		9 PLC ±.01		CHK: M. PERCHERKE 14FE805		Shanghai, P.R.China 200233	
MATERIAL:		5 PLC ±.01		APVD: M. PERCHERKE		NAME: RIGHT ANGLE HEADER ASSEMBLY W/GUIDES	
FINISH:		4 PLC ±.005		PRODUCT SPEC: 108-1973		MULTI-BEAM XL	
		ANGLES ±.0020		APPLICATION SPEC: 114-13038		SIZE: CAGE CODE DRAWING NO: RESTRICTED TO	
				WEIGHT:		A1 00779 C=6450130	
				CUSTOMER DRAWING		SCALE: 2:1 SHEET 15 OF 20 REV: L1	



LOC	DIST	REV	DATE	BY	APPD
ES	00				
REVISIONS			DESCRIPTION	DATE	BY
			SEE SHEET 1		

PART NUMBER	ROWS	POWER		SIGNAL				POWER	
		P1	P2	1	2	3	4	P3	P4
8-6450130-9	D	PM	PM	J	J	J	J	PM	PM
	C			K	K	F	K		
	B			N	N	G	N		
A	S	S	S	S	HD	HD			
IP + 16S + IP									

PART NUMBER	ROWS	POWER		SIGNAL						POWER	
		P1	P2	1	2	3	4	5	6	P3	P4
2-6450130-9	D	PM	PM	J	J	J	J	J	J	PM	PM
	C			K	K	K	K	F			
	B			N	N	N	N	N			
A	S	S	S	S	S	HD	HD				
2P + 24S + 2P											

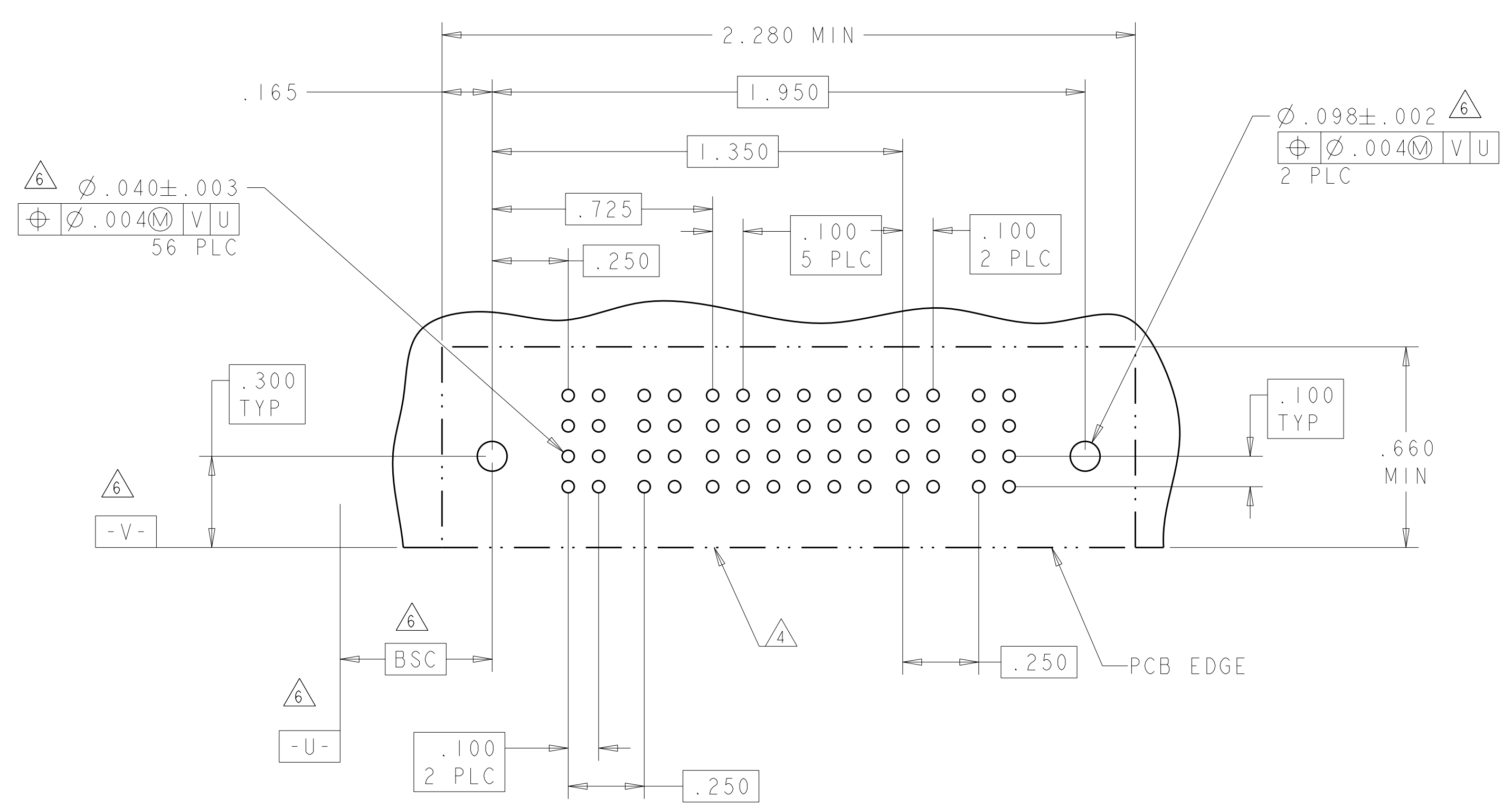
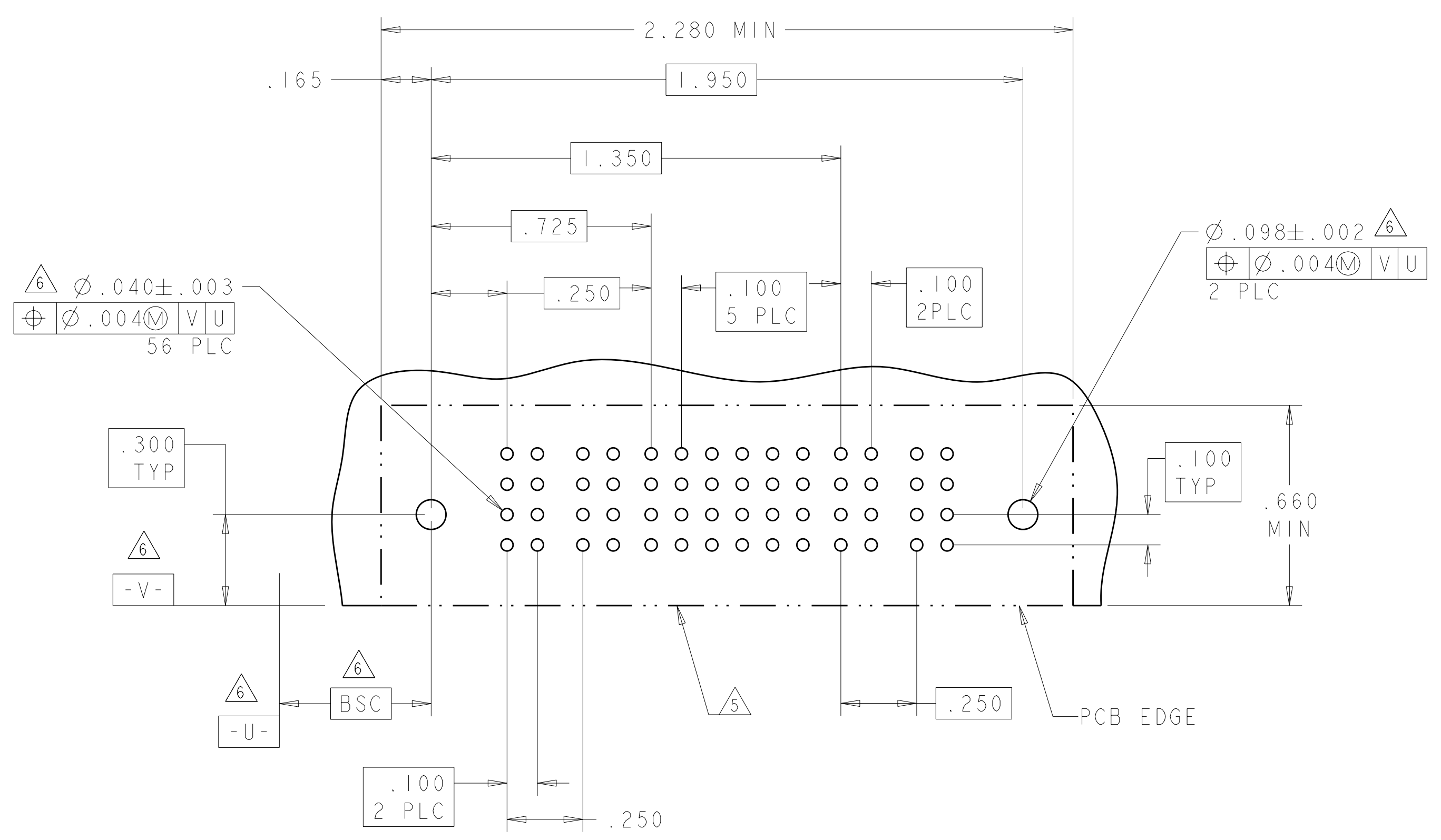


DIMENSIONS: INCHES 		TOLERANCES UNLESS OTHERWISE SPECIFIED: 9 PLC ±. 8 PLC ±.01 5 PLC ±.005 4 PLC ±.0020 ANGLES ±.2°		DWN R. GRZYBOWSKI 14FEB05 CHK M. PERCHERKE 14FEB05 APVD M. PERCHERKE NAME PRODUCT SPEC APPLICATION SPEC 114-13038 WEIGHT CUSTOMER DRAWING		Tyco Electronics Corporation Shanghai, P.R.China 200233 NAME RIGHT ANGLE HEADER ASSEMBLY W/GUIDES MULTI-BEAM XL SIZE CAGE CODE DRAWING NO A11 00779 C=6450130 SCALE 2:1 SHEET 16 OF 20 REV L1	
---------------------------	--	----------------------------------------------------------------------------------------------------------------	--	-------------------------------------------------------------------------------------------------------------------------------------------------------------------	--	--------------------------------------------------------------------------------------------------------------------------------------------------------------------------------------------------------------------	--

LOC	DIST	REV	DESCRIPTION	DATE	DWN	APVD
ES	00		SEE SHEET 1			

PART NUMBER	ROWS	POWER		SIGNAL						POWER		
		P1	P2	1	2	3	4	5	6	P3	P4	
4-6450130-2	D C B A	PM	PM	J	J	J	J	J	J	E	PM	PM
				K	K	K	K	K	K	K		
				N	N	N	N	N	N	N		
				S	S	S	S	S	S	S		
2P + 24S + 2P												

PART NUMBER	ROWS	POWER		SIGNAL						POWER		
		P1	P2	1	2	3	4	5	6	P3	P4	
6-6450130-7	D C B A	PM	PM	J	J	J	J	J	J	J	PM	PM
				K	K	K	K	K	K	K		
				N	N	N	G	N	N	N		
				S	S	S	S	S	S	S		
2P + 24S + 2P												



PART NUMBER	ROWS	POWER		SIGNAL						POWER		
		P1	P2	1	2	3	4	5	6	P3	P4	
8-6450130-8	D C B A	PM	PM	E	E	E	E	E	E	E	PM	PM
				F	F	F	F	F	F	F		
				G	G	G	G	G	G	G		
				H	H	H	H	H	S	S		
2P + 24S + 2P												

LAYOUT OF PART 8-6450130-8 IS SAME AS 6-6450130-7.

<small>THIS DRAWING IS UNPUBLISHED. RELEASED FOR PUBLICATION. COPYRIGHT 20 BY TYCO ELECTRONICS CORPORATION. ALL RIGHTS RESERVED.</small>		DWN: R. GRZYBOWSKI 14FEB05 CHK: M. PERCHERKE 14FEB05 APVD: M. PERCHERKE	Tyco Electronics Corporation Shanghai, P.R.China 200233
DIMENSIONS: INCHES 	TOLERANCES UNLESS OTHERWISE SPECIFIED: 9 PLC ±.01 1 PLC ±.01 2 PLC ±.01 3 PLC ±.005 4 PLC ±.002 ANGLES ±.02°	NAME: RIGHT ANGLE HEADER ASSEMBLY W/GUIDES MULTI-BEAM XL PRODUCT SPEC: 108-1973 APPLICATION SPEC: 114-13038	SIZE: A1 CAGE CODE: 00779 DRAWING NO: C=6450130
MATERIAL: -	FINISH: -	WEIGHT: -	RESTRICTED TO: -
CUSTOMER DRAWING		SCALE: 2:1	SHEET 17 OF 20



LOC	DIST	REV	DATE	BY	APPD
ES	00				
DESCRIPTION			DATE	BY	APPD
SEE SHEET 1					

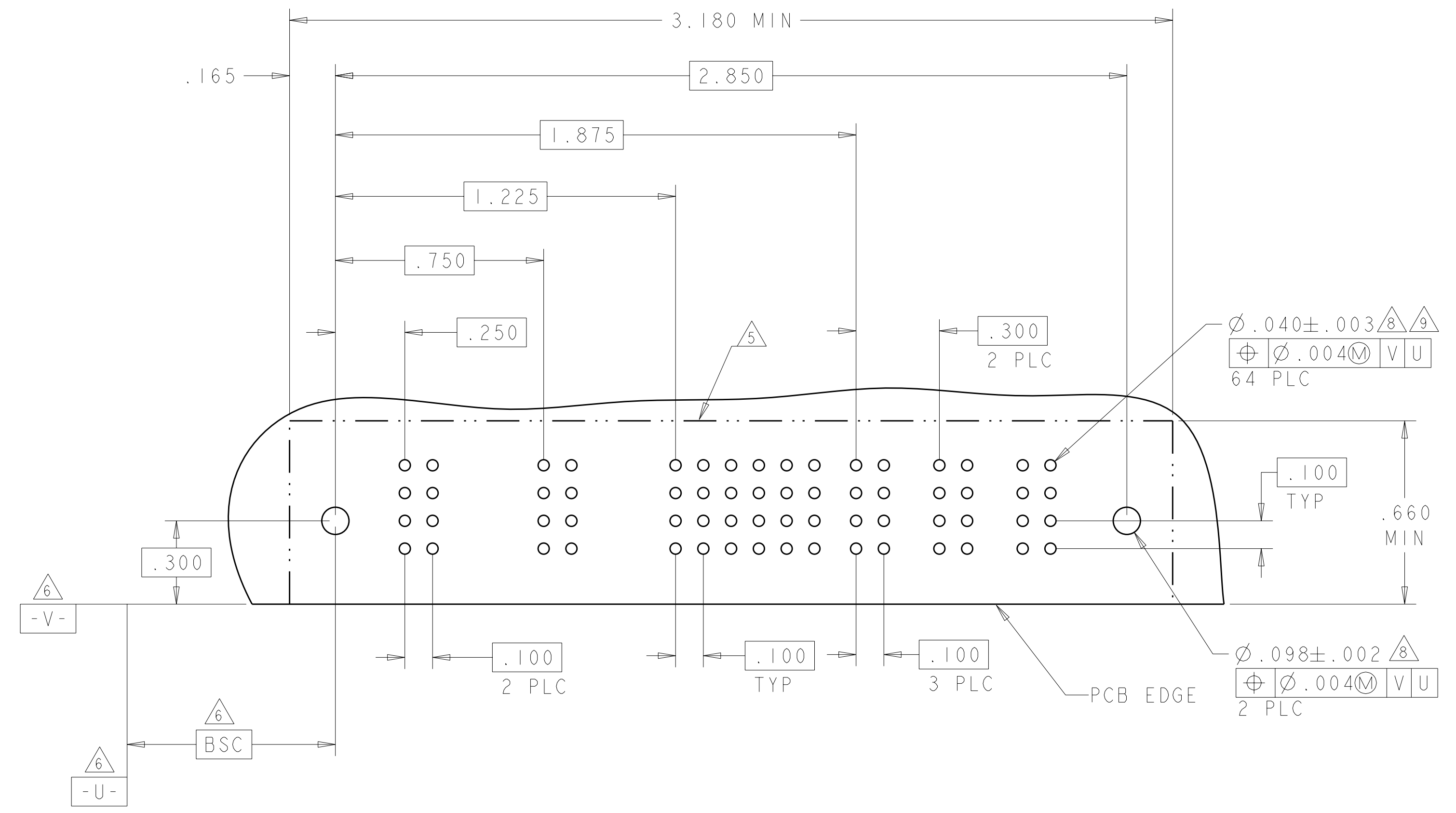
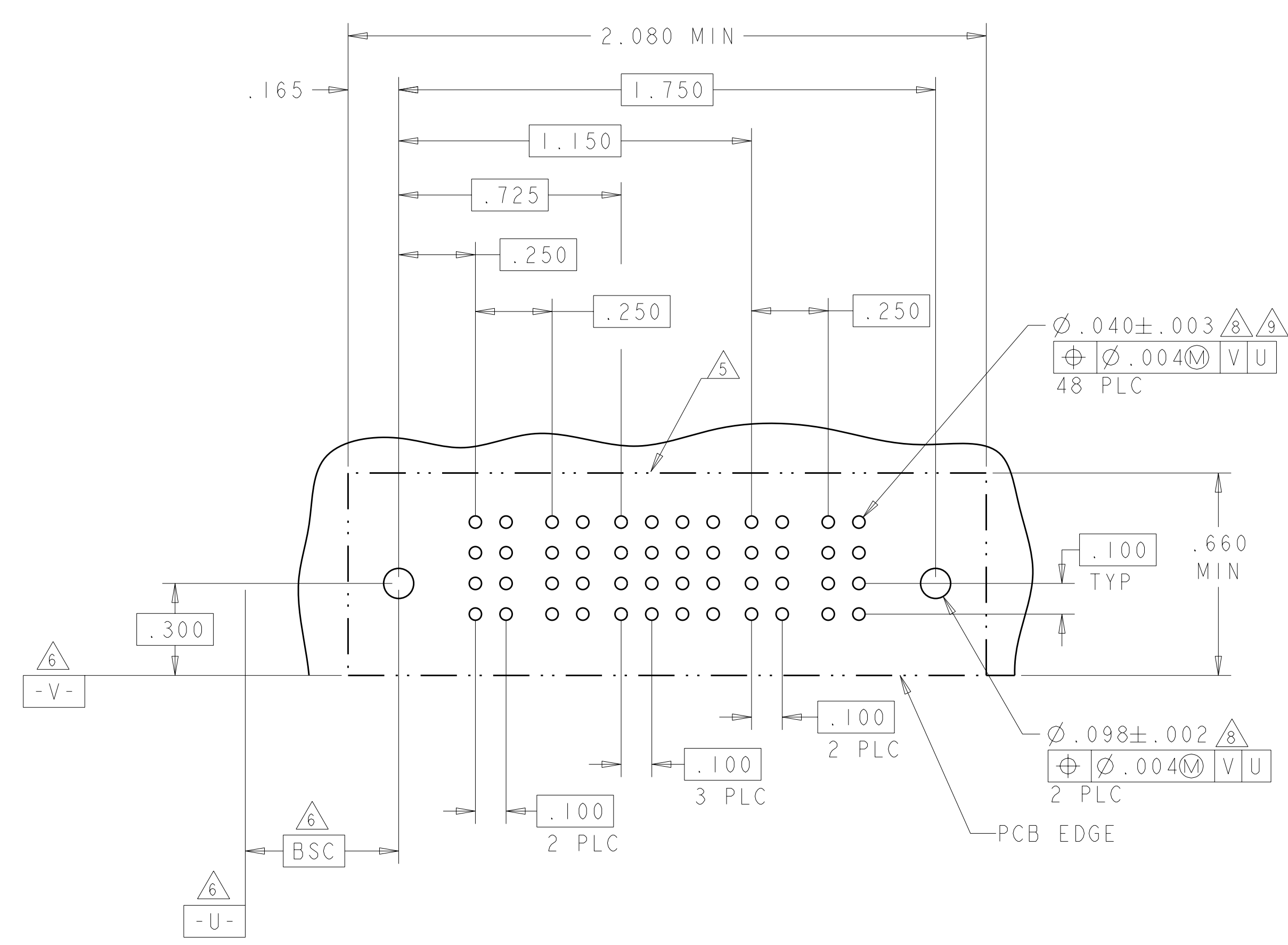
(K5)

PART NUMBER	ROWS	POWER		SIGNAL				POWER	
		P1	P2	1	2	3	4	P3	P4
9-6450130-3	D	PM	PM	E	J	J	J	PM	PM
	C			K	K	K	K		
	B			N	N	N	N		
	A			S	S	S	S		
2P + 16S + 2P		HD						HD	

(K6)

PART NUMBER	ROWS	POWER				SIGNAL						POWER		
		P1	P2	P3	P4	1	2	3	4	5	6	P5	P6	P7
9-6450130-4	D	PM	PM	PM	PM	J	J	J	J	J	J	PM	PM	PM
	C					K	K	K	K	K	K			
	B					N	N	N	N	N	N			
	A					S	S	S	S	S	H			
4P + 24S + 3ACP		HD								HD				

NO CONTACT LOADED

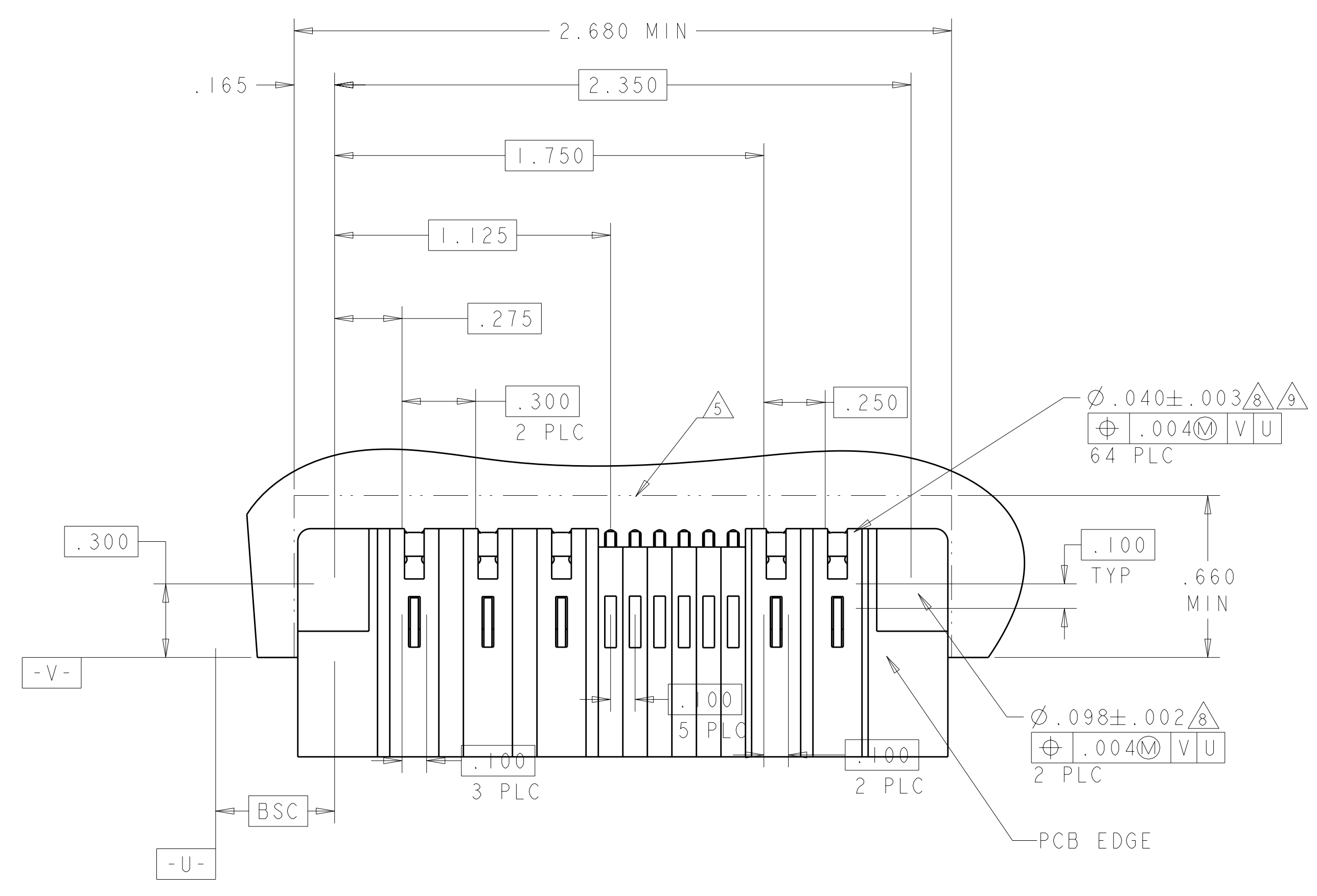


DIMENSIONS:		TOLERANCES UNLESS OTHERWISE SPECIFIED:		DWN: R. GRZYBOWSKI 14FEB05		Tyco Electronics Corporation	
INCHES		9 PLC ±.01		CHK: M. PERCHERKE 14FEB05		Shanghai, P.R.China 200233	
MATERIAL:		5 PLC ±.01		APVD: M. PERCHERKE		NAME: RIGHT ANGLE HEADER ASSEMBLY W/GUIDES	
FINISH:		4 PLC ±.005		PRODUCT SPEC: 108-1973		MULTI-BEAM XL	
		ANGLES ±.0020		APPLICATION SPEC: 114-13038		SIZE: A	
				WEIGHT: -		CAGE CODE: 00779	
				CUSTOMER DRAWING		DRAWING NO: C=6450130	
				SCALE: 2:1		SHEET 19 OF 20	
						REV: L1	

LOC	DIST	REVISIONS					
ES	00	P	LTR	DESCRIPTION	DATE	DWN	APVD
		-	-	SEE SHEET 1	-	-	-

L1

PART NUMBER	ROWS	POWER			SIGNAL						POWER	
		P1	P2	P3	1	2	3	4	5	6	P4	P5
2-6450130-6	D	PM	PM	PM	J	J	J	J	J	J	PM	PM
	C				K	K	K	K	K			
	B				N	N	N	N	N			
	A				S	S	S	S	S			
3ACP + 24S + 2P		HD										HD



DIMENSIONS:		TOLERANCES UNLESS OTHERWISE SPECIFIED:		DWN		14FEB05		Tyco Electronics Corporation	
INCHES		9 PLC	±	R. GRZYBOWSKI		14FEB05		Shanghai, P.R.China 200233	
		1 PLC	±.01	CHK M. PERCHERKE		APVD M. PERCHERKE		NAME	
		2 PLC	±.005	PRODUCT SPEC		108-1973		RIGHT ANGLE HEADER ASSEMBLY W/GUIDES	
		3 PLC	±.0020	APPLICATION SPEC		114-13038		MULTI-BEAM XL	
		4 PLC	±.0020	MATERIAL		WEIGHT		SIZE CAGE CODE DRAWING NO	
		5 PLC	±.0020	FINISH		CUSTOMER DRAWING		A 00779 C-6450130	
		ANGLES	±.0020	SCALE		2:1		SHEET 20 OF 20	
				REV		L1			