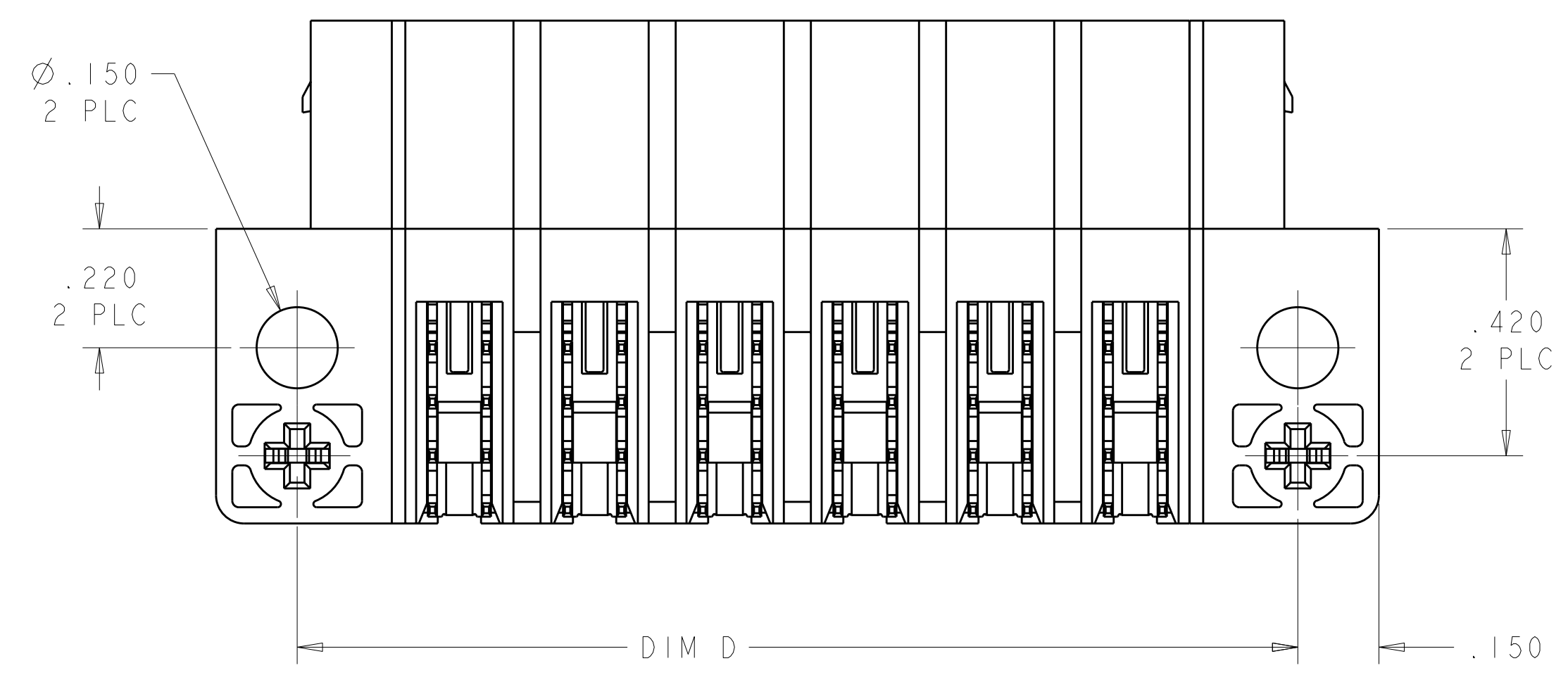
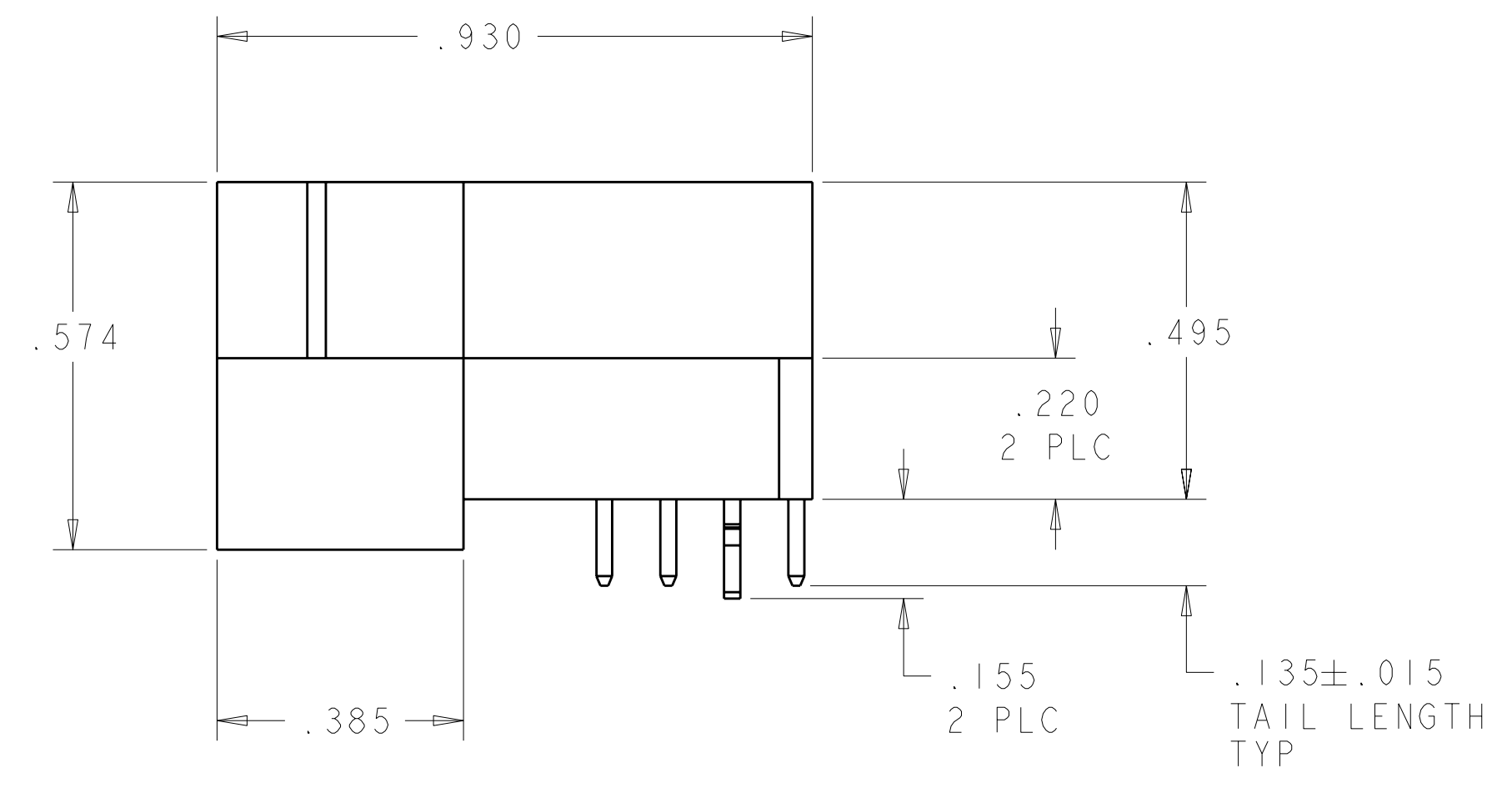
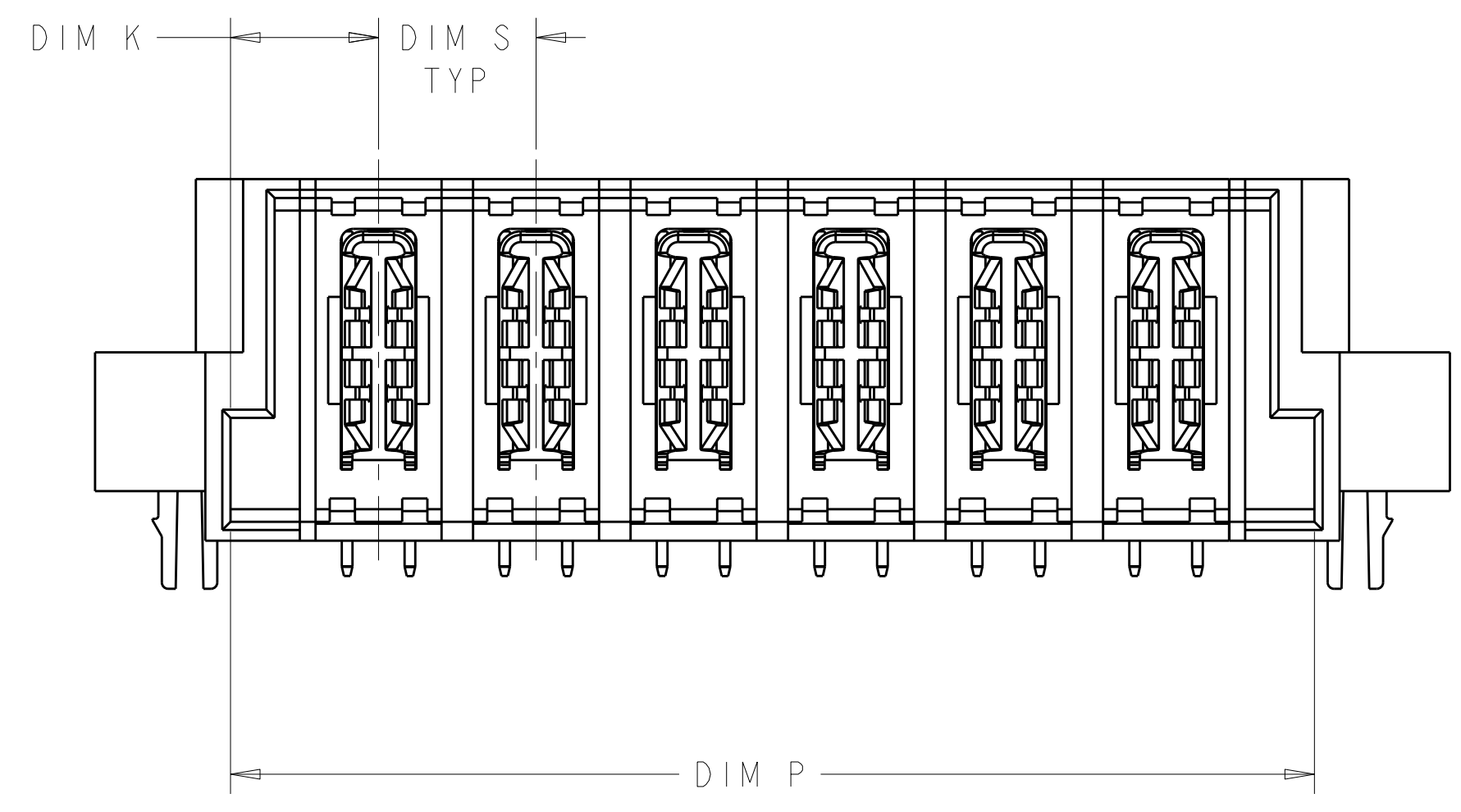
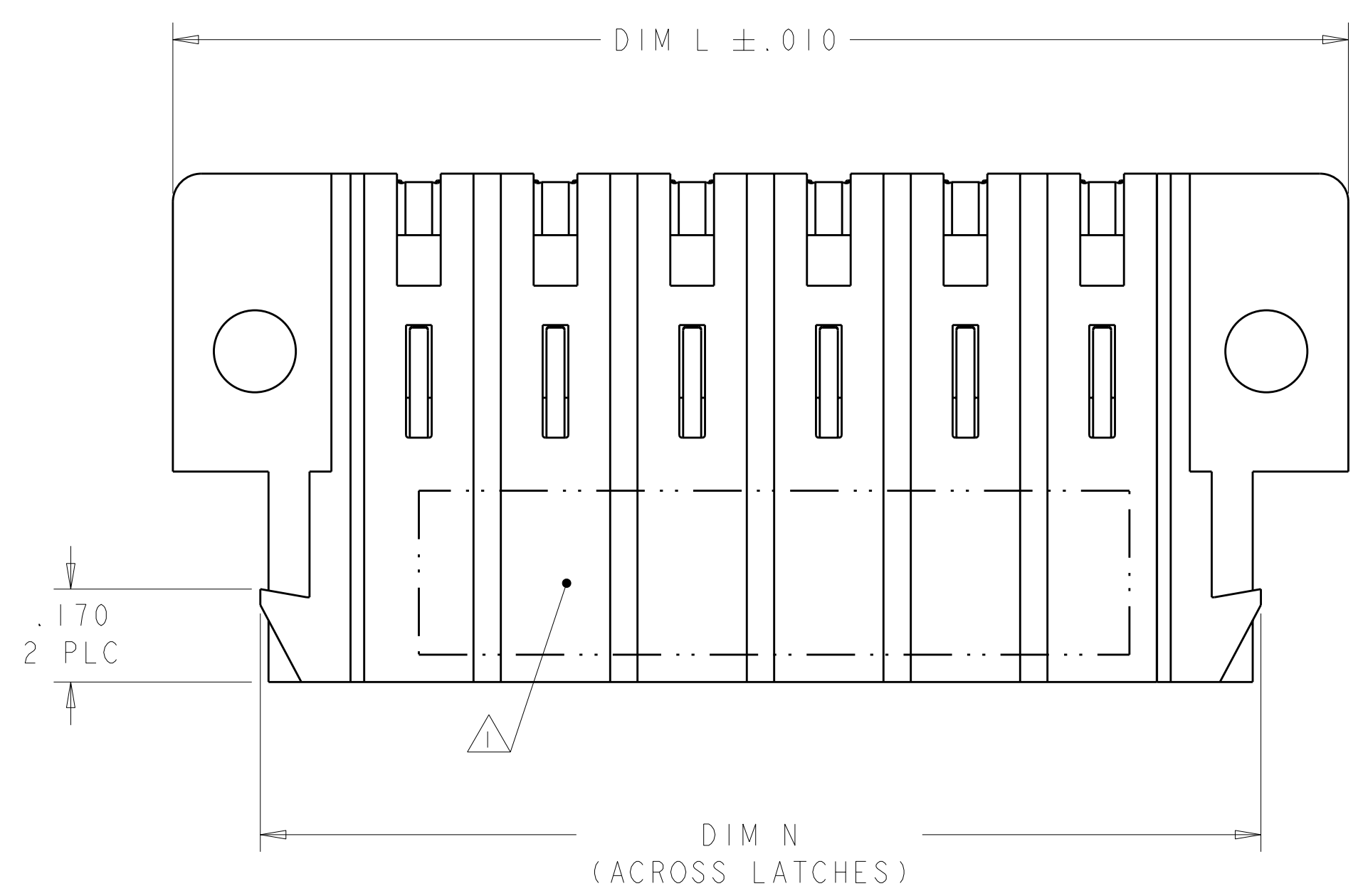


LOC		DIST		REVISIONS			
ES	00	P	LTR	DESCRIPTION	DATE	DWN	APVD
		A		REV PER OS12-0650-04	11FEB2005	RG	MP
		B		REV PER ECR-07-014222	18JUN2007	DZ	SY
		B3		ADDED NEW DASH NUMBER -10	21NOV2009	SZ	SY
		C		REV PER ECR-09-000465	08JAN2010	JL	SY



- △ "AMP" PART NUMBER AND DATE CODE TO BE MARKED IN AREA SHOWN. PARTS UNDER 2.50 INCHES LONG MAY BE MARKED ON BOTH SIDES.
- △ MATERIAL: HOUSING - GLASS FILLED HIGH TEMP THERMO PLASTIC, UL 94 V-0
POWER CONTACT - HIGH CONDUCTIVITY COPPER ALLOY.
- △ CONTACT PLATING: POWER CONTACTS: .000050 MIN Ni UNDER ALL
.000030 MIN Au ON CONTACT AREA
.000100 MIN Sn AT PCB INTERFACE.
- △ MECHANICAL CONNECTOR KEEP OUT ZONE. WHEN PLACING CONNECTORS END-TO-END, ALLOW ADDITIONAL 0.1 CLEARANCE BETWEEN CONNECTORS FOR LATCH ACTIVATION.
- △ DATUM AND BASIC DIMENSIONS ESTABLISHED BY CUSTOMER.
- △ PCB - ALL HOLE DIAMETERS ARE FINISHED HOLE SIZES.
- △ PCB - .0453±.0010 DRILLED HOLES PLATED WITH .0003 MIN Sn OVER .001 TO .003 Cu PLATING TO ACHIEVE A .040 DIA HOLE.

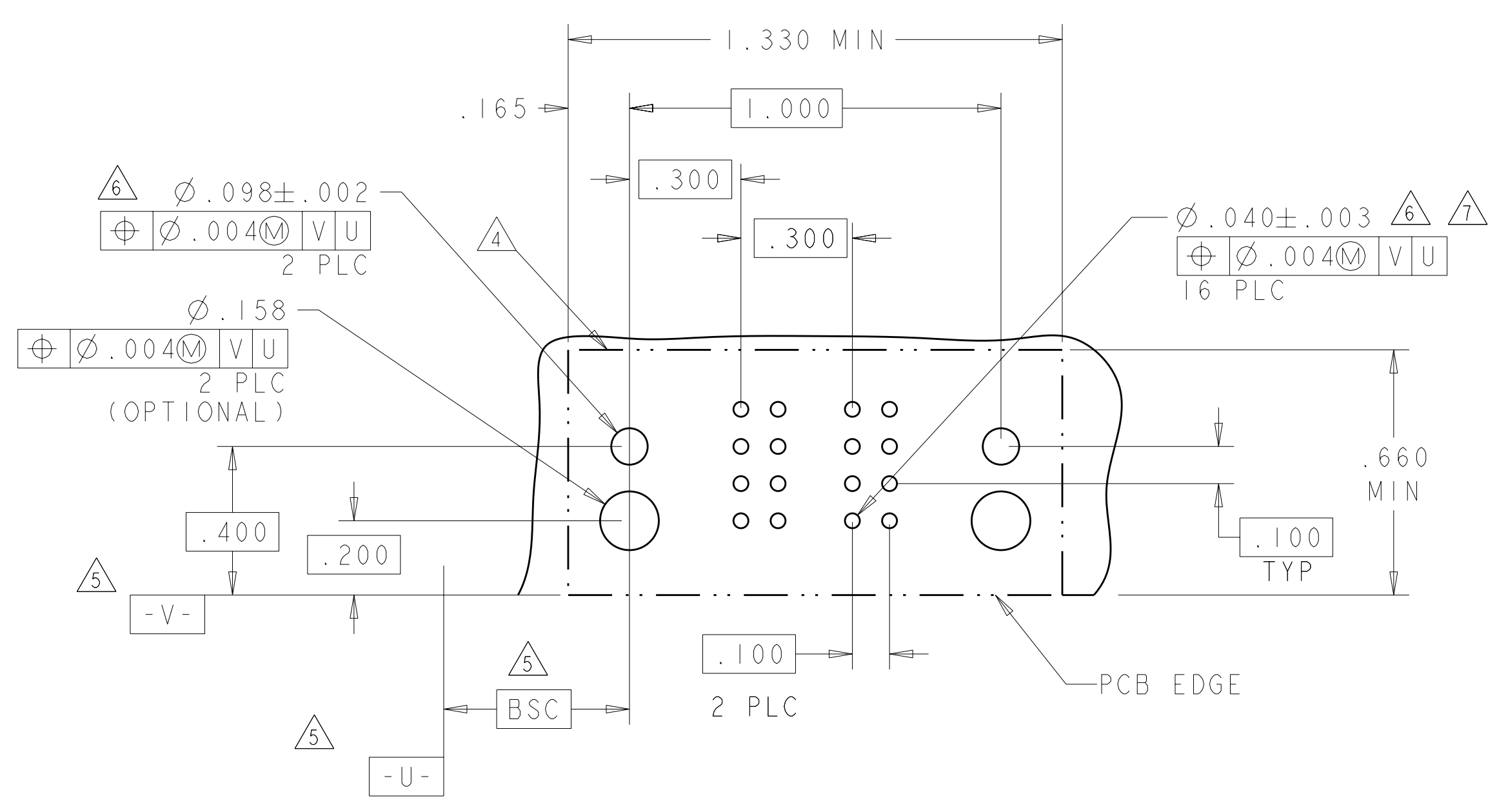
1.170	1.280	1.300	.300	1.600	.285	3ACP	1-6450129-0
2.220	2.330	2.350	.250	2.650	.235	8P	6450129-9
1.170	1.280	1.300	.350	1.600	.235	3P	6450129-8
.720	.830	.850	.250	1.150	.235	2P	6450129-7
1.720	1.830	1.850	.250	2.150	.235	6P	6450129-5
1.220	1.330	1.350	.250	1.650	.235	4P	6450129-3
.970	1.080	1.100	.250	1.400	.235	3P	6450129-2
.870	.980	1.000	.300	1.300	.285	2ACP	6450129-1
DIM P	DIM N	DIM D	DIM S	DIM L	DIM K	DESCRIPTION	PART NUMBER

DIMENSIONS: INCHES TOLERANCES UNLESS OTHERWISE SPECIFIED: 9 PLC ±.01 5 PLC ±.01 4 PLC ±.005 ANGLES ±.0020		DWN: R. GRZYBOWSKI CHK: M. PERCHERKE APVD: M. PERCHERKE		I1FEB05 I1FEB05 NAME: M. PERCHERKE		Tyco Electronics Corporation Shanghai, P.R. 200233	
MATERIAL: △2 FINISH: △3		PRODUCT SPEC: 108-1973 APPLICATION SPEC: 114-13038		RIGHT ANGLE HEADER ASSEMBLY W/ LATCH RECIEVERS MULTI-BEAM XL		RESTRICTED TO: A11 00779 C=6450129	
CUSTOMER DRAWING		SCALE: 4:1		SHEET 1 OF 4		REV C	

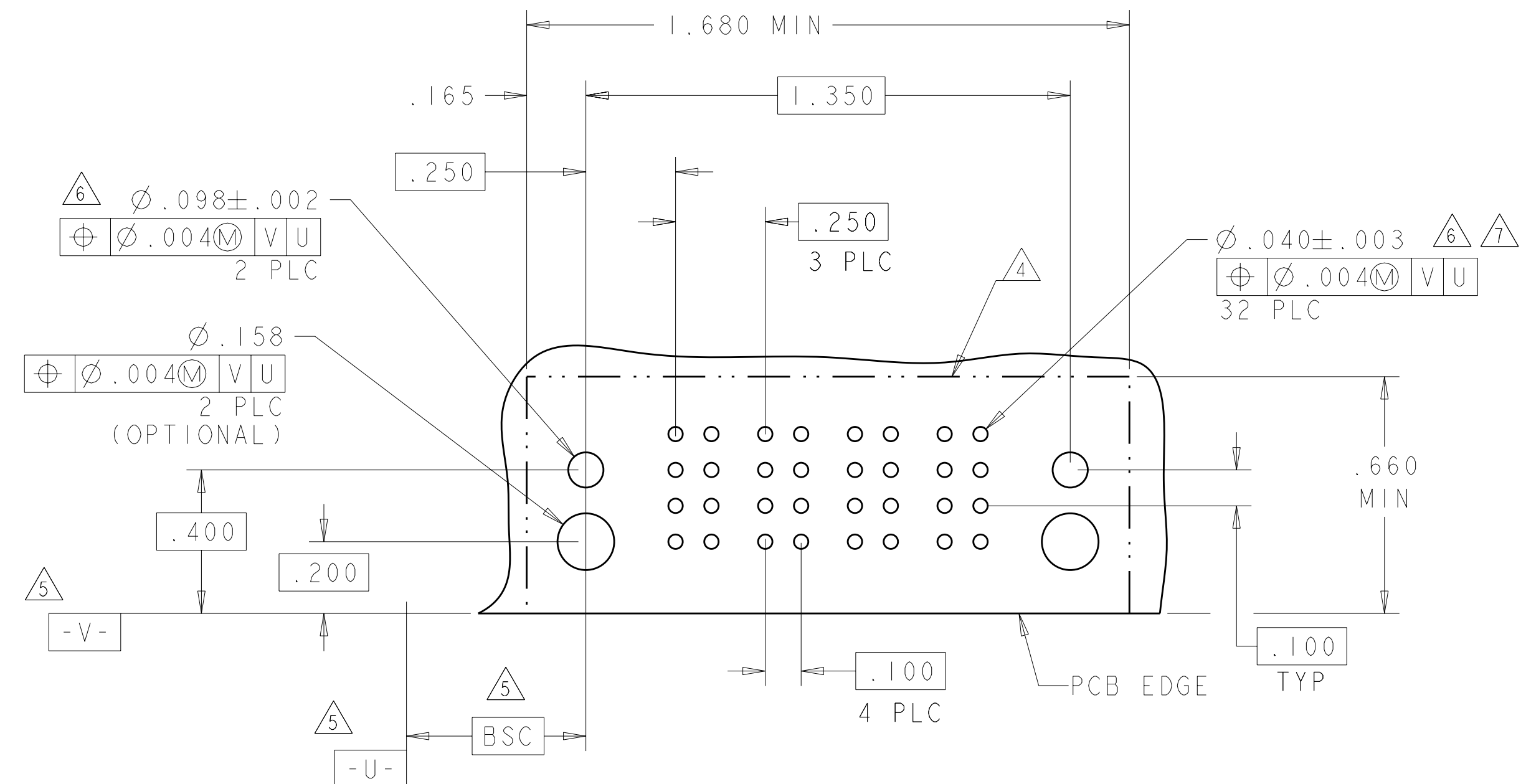
LOC	DIST	REV	DATE	BY	APPD
ES	00				

REVISIONS		DATE	BY	APPD
1	SEE SHEET 1			

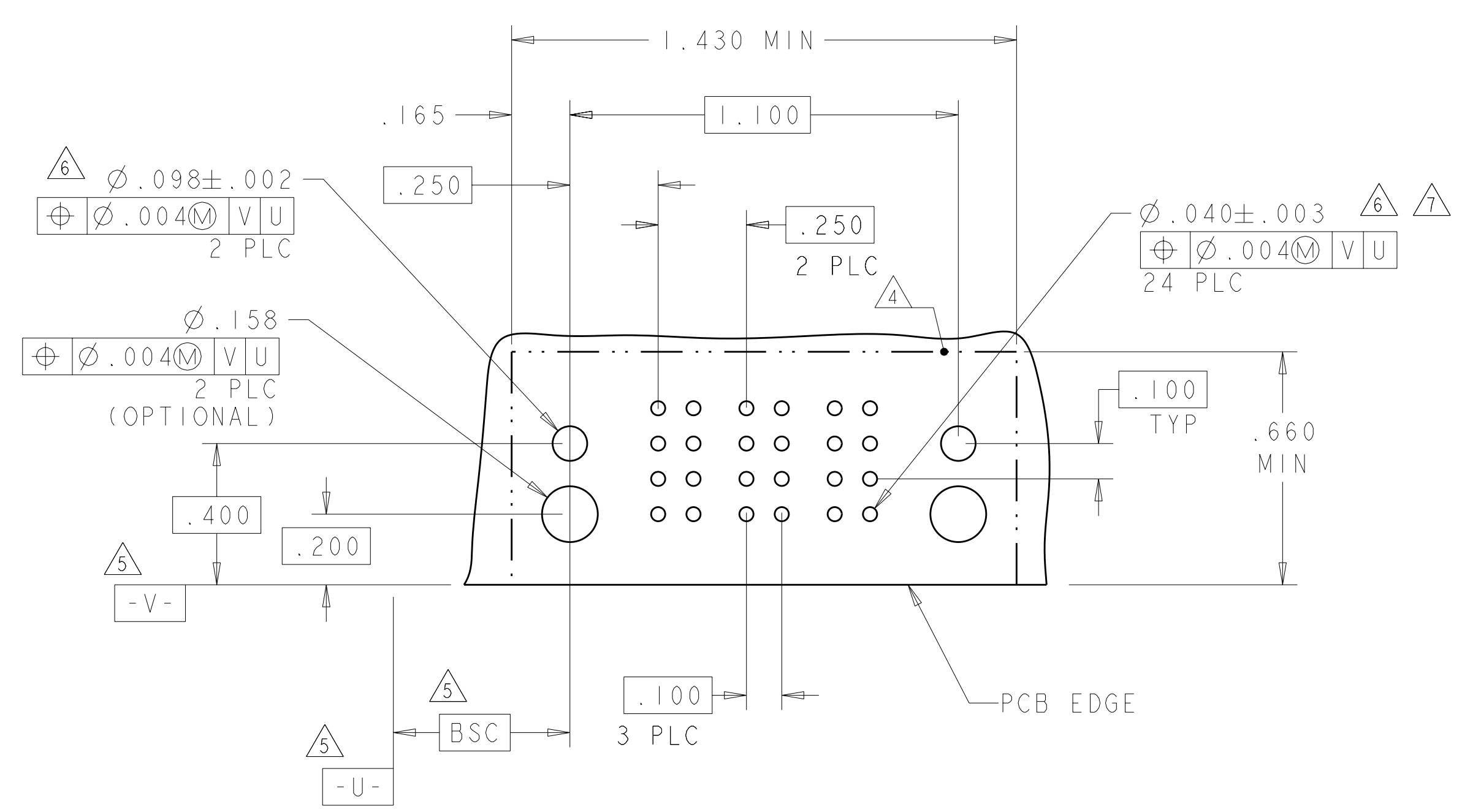
PART NUMBER	ROWS	POWER	
		P1	P2
6450129-1	D C B A	PM	PM
		HD	HD
2ACP			



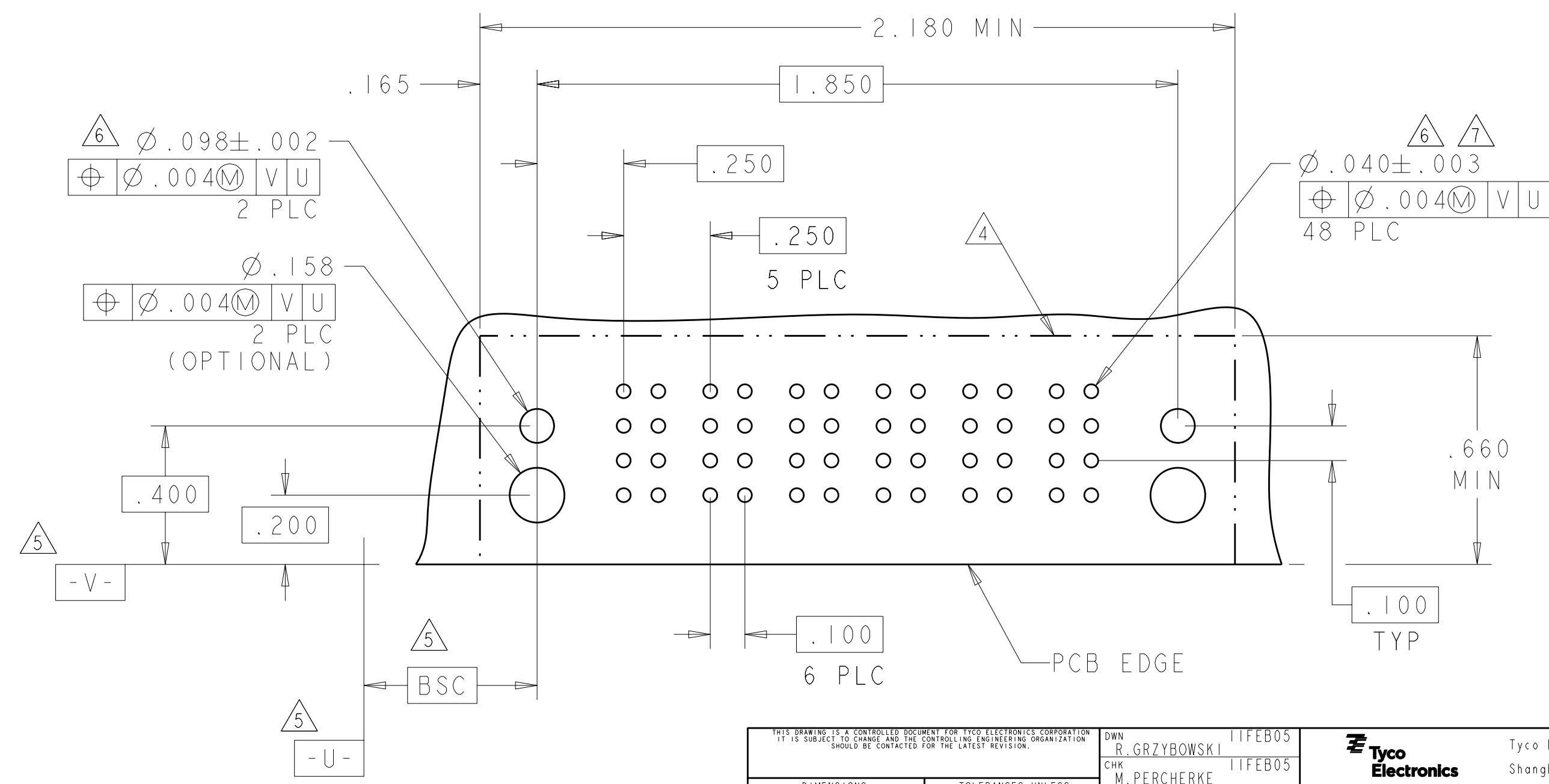
PART NUMBER	ROWS	POWER			
		P1	P2	P3	P4
6450129-3	D C B A	PM	PM	PM	PM
		HD			HD
4P					



PART NUMBER	ROWS	POWER		
		P1	P2	P3
6450129-2	D C B A	PM	PM	PM
		HD		HD
3P				



PART NUMBER	ROWS	POWER					
		P1	P2	P3	P4	P5	P6
6450129-5	D C B A	PM	PM	PM	PM	PM	PM
		HD					HD
6P							



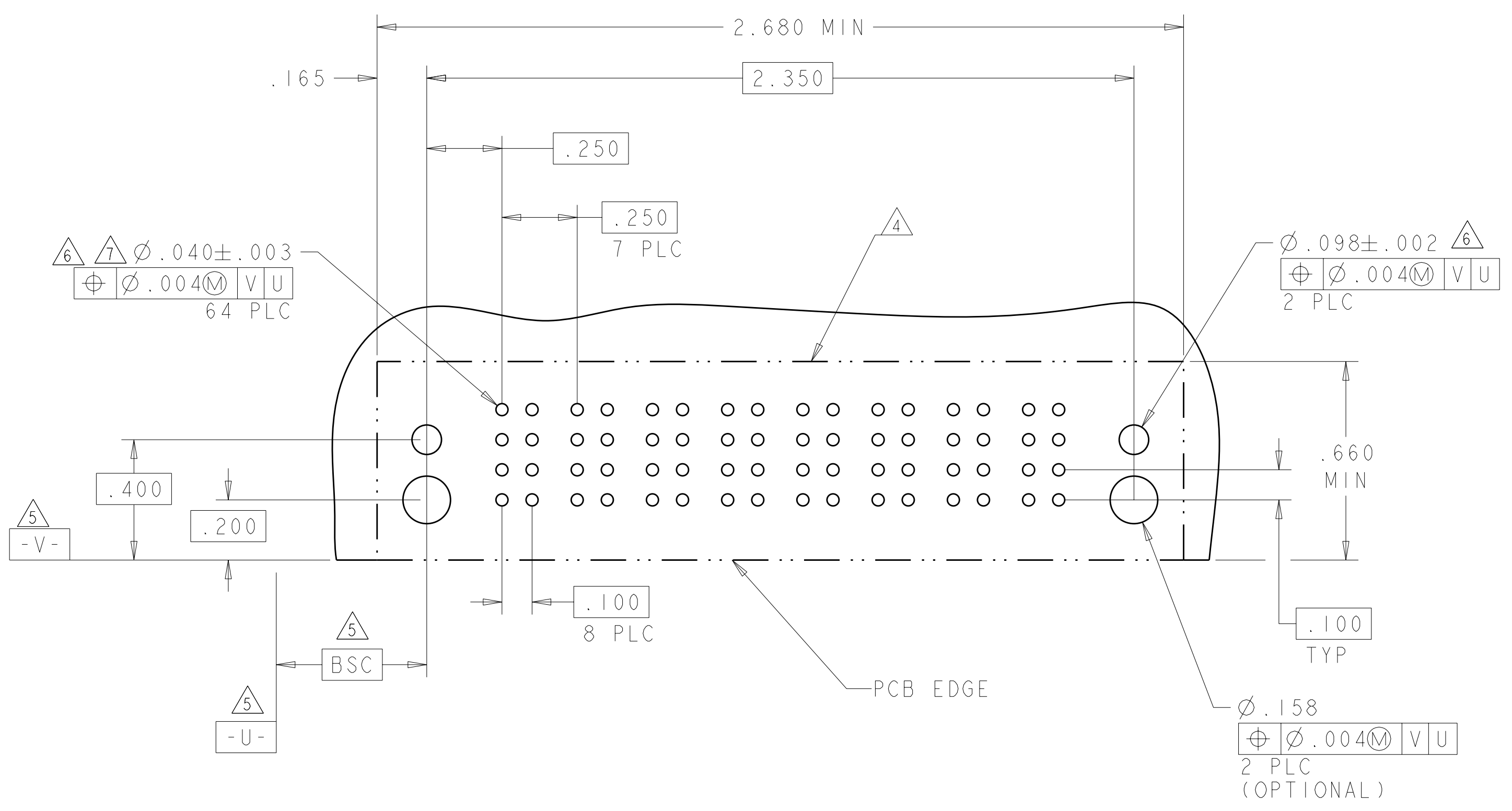
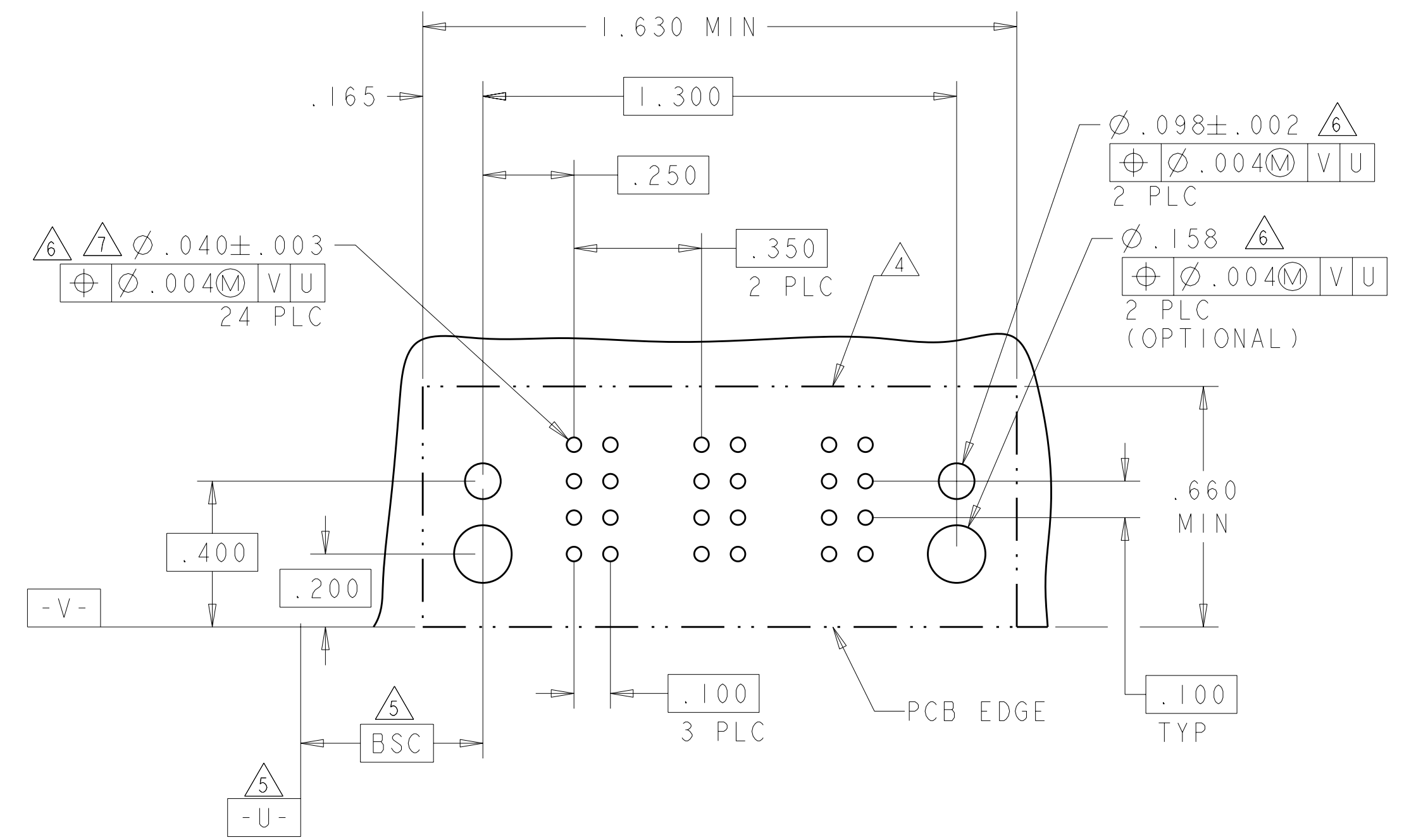
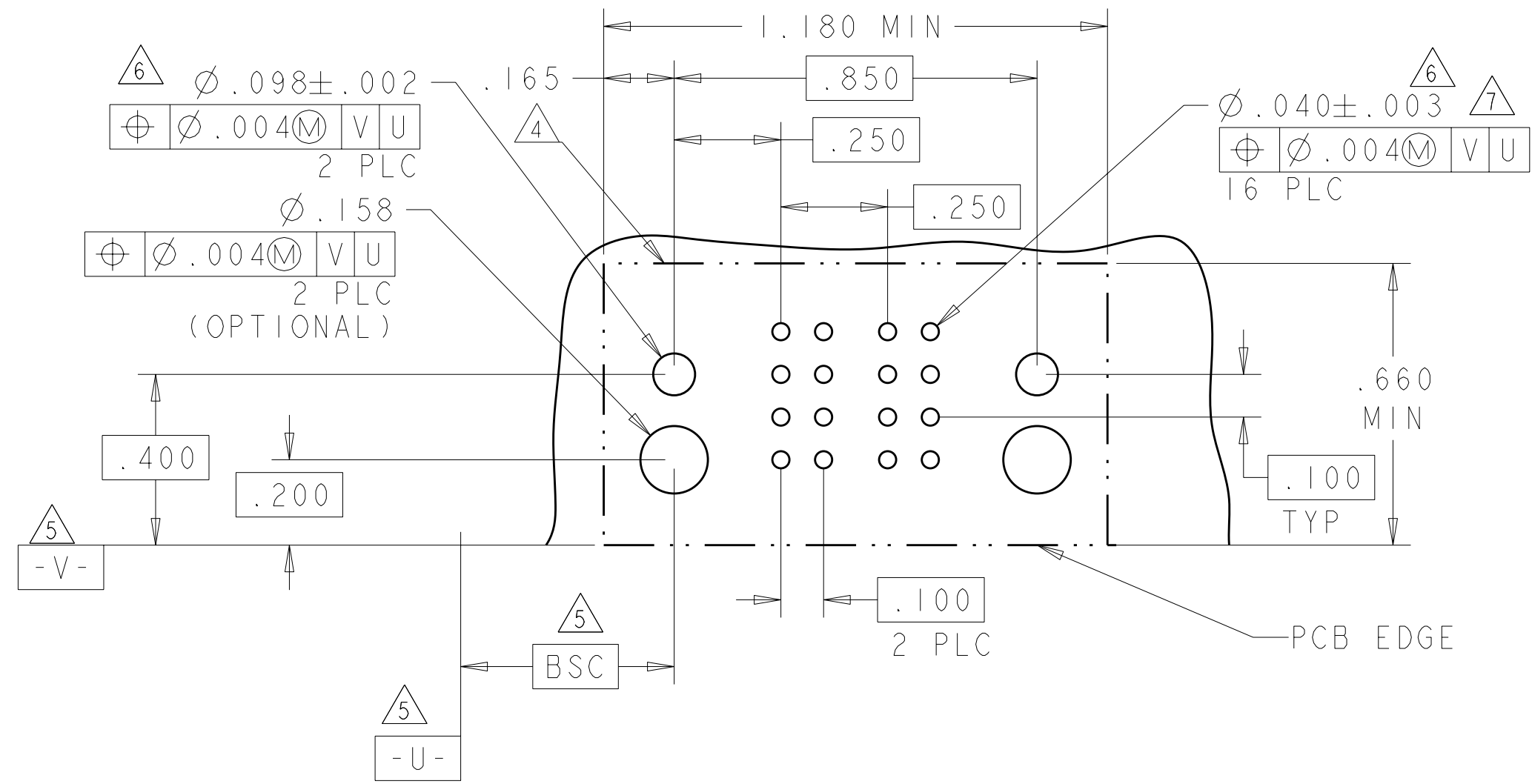
PM	.135
CODE	TAIL LENGTH
POWER CONTACT	

DIMENSIONS: INCHES 		TOLERANCES UNLESS OTHERWISE SPECIFIED: 9 PLC ±.01 5 PLC ±.005 4 PLC ±.0020 ANGLES ±.0020		DWN: R. GRZYBOWSKI / TTFEB05 CHK: M. PERCHERKE / TTFEB05 APVD: M. PERCHERKE / TTFEB05 PRODUCT SPEC: 108-1973 APPLICATION SPEC: 114-13038 WEIGHT: - CUSTOMER DRAWING: -		Tyco Electronics Corporation Shanghai, P.R. 200233 NAME: RIGHT ANGLE HEADER ASSEMBLY W/ LATCH RECEIVERS MULTI-BEAM XL SIZE: CAGE CODE DRAWING NO: 00779 C=6450129 RESTRICTED TO: - SCALE: 4:1 SHEET 2 OF 4 REV C	
------------------------	--	--	--	--	--	---	--

LOC	DIST	REV	DATE	BY	APPD
ES	00				

PART NUMBER	ROWS	POWER	
		P1	P2
6450129-7	D C B A	PM	PM
		HD	HD
2P			

PART NUMBER	ROWS	POWER		
		P1	P2	P3
6450129-8	D C B A	PM	PM	PM
		HD		HD
3P				

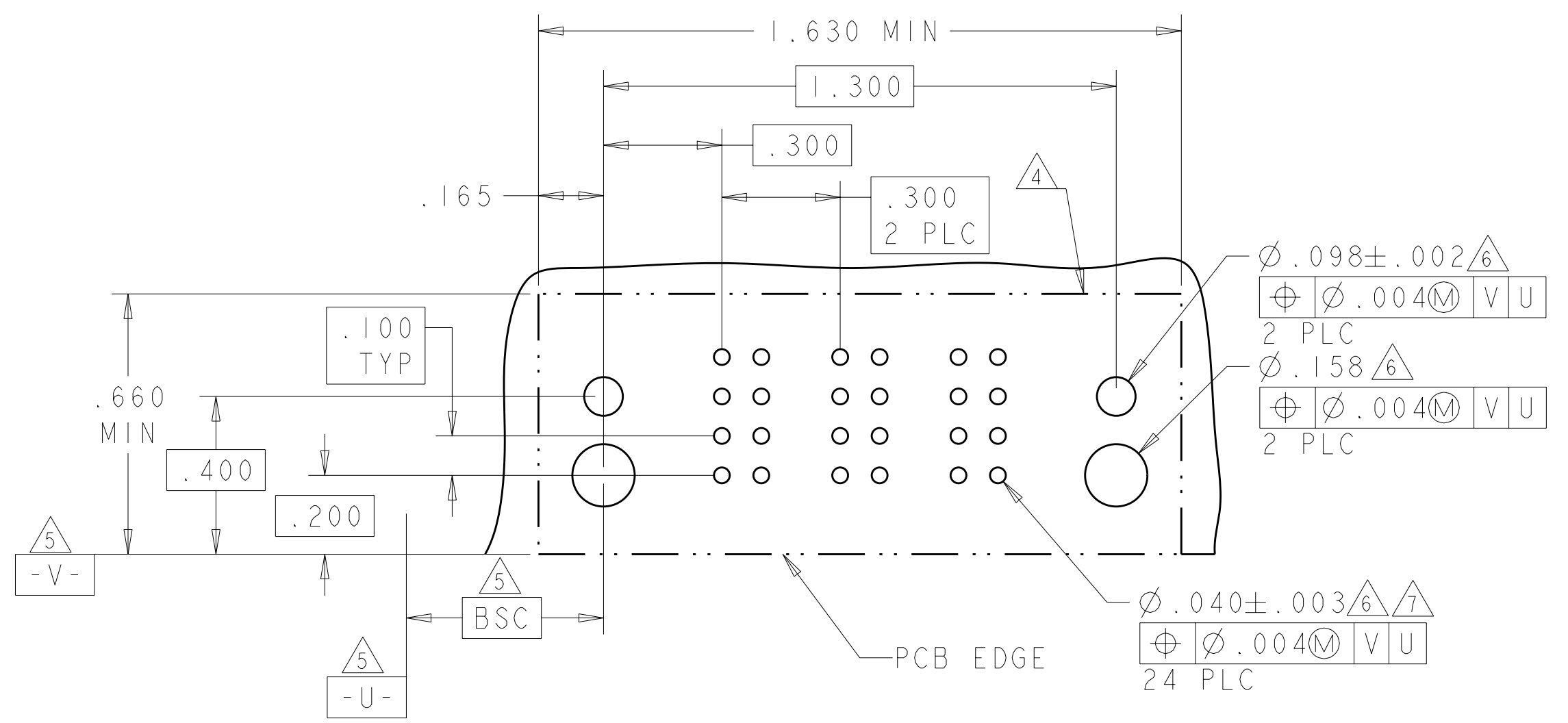


PART NUMBER	ROWS	POWER							
		P1	P2	P3	P4	P5	P6	P7	P8
6450129-9	D C B A	PM	PM	PM	PM	PM	PM	PM	PM
		HD							HD
8P									

DIMENSIONS: INCHES 		TOLERANCES UNLESS OTHERWISE SPECIFIED: 9 PLC ±. 1 PLC ±.01 2 PLC ±.01 3 PLC ±.005 4 PLC ±.002 ANGLES ±.020		DWN BY: GRZYBOWSKI CHK: M. PERCHERKE APVD: M. PERCHERKE PRODUCT SPEC: 108-1973 APPLICATION SPEC: 114-13038 WEIGHT: - FINISH: - CUSTOMER DRAWING		IIFE805 IIFE805 NAME: M. PERCHERKE SIZE: A CAGE CODE: 00779 DRAWING NO: C=6450129 SCALE: 4:1 SHEET: 3 OF 4 REV: C		Tyco Electronics Corporation Shanghai, P.R. 200233 RIGHT ANGLE HEADER ASSEMBLY W/ LATCH RECEIVERS MULTI-BEAM XL	
---------------------------	--	--	--	--	--	---	--	---	--

LOC	DIST	REVISIONS			
P	LTB	DESCRIPTION	DATE	DWN	APVD
ES	00	SEE SHEET 1	-	-	-

PART NUMBER	ROWS	POWER		
		P1	P2	P3
1-6450129-0	D C B A	PM	PM	PM
3ACP		HD		HD



RECOMMENDED PCB LAYOUT

<small>THIS DRAWING IS UNPUBLISHED. RELEASED FOR PUBLICATION BY TYCO ELECTRONICS CORPORATION. IT IS SUBJECT TO CHANGE WITHOUT NOTICE AND WITHOUT OBLIGATION. SHOULD BE CONTACTED FOR THE LATEST REVISION.</small>		DWN: R. GRZYBOWSKI CHK: M. PERCHERKE APVD: M. PERCHERKE	I1FE805 I1FE805 NAME: M. PERCHERKE	Tyco Electronics Corporation Shanghai, P.R. 200233
DIMENSIONS: INCHES	TOLERANCES UNLESS OTHERWISE SPECIFIED: 9 PLC ±. 1 PLC ±.01 2 PLC ±.01 3 PLC ±.005 4 PLC ±.0020 ANGLES ±2° FINISH	PRODUCT SPEC: 108-1973 APPLICATION SPEC: 114-13038 WEIGHT: - CUSTOMER DRAWING	RIGHT ANGLE HEADER ASSEMBLY W/ LATCH RECIEVERS MULTI-BEAM XL SIZE: A1 CAGE CODE: 00779 DRAWING NO: C=6450129	RESTRICTED TO: - SCALE: 4:1 SHEET: 4 OF 4 REV: C