



EVERLIGHT ELECTRONICS CO.,LTD.

Device Number : DLE-528-008 REV: 1.0

3.2X4.3 mm Elliptical Wide Angle LEDs

MODEL NO : 5284UBT/C470 ECN : _____ Page: 1/4

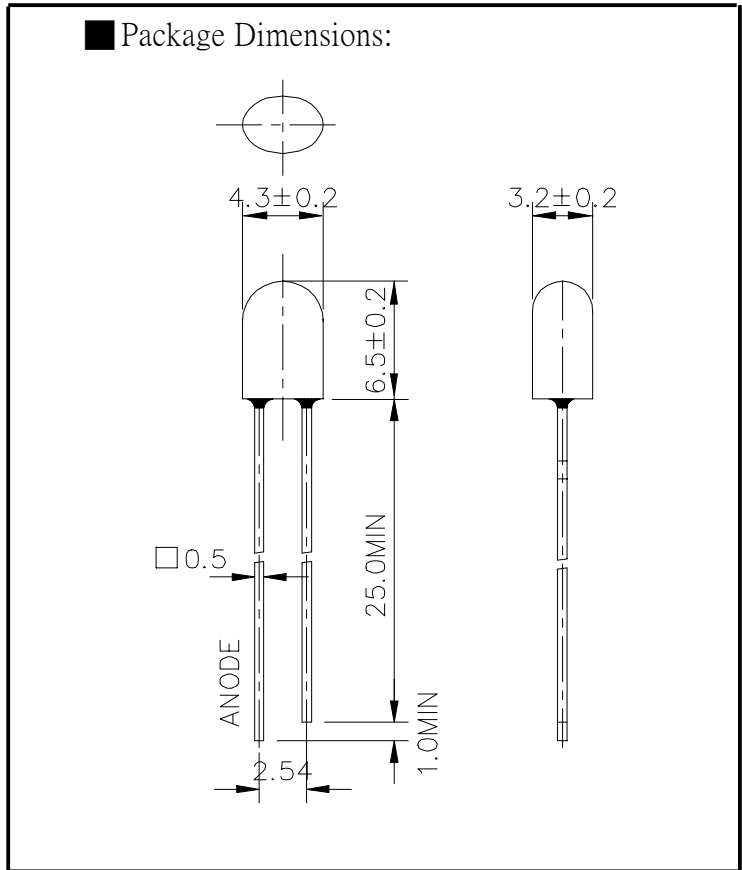
■ Features :

- High luminous power.
- Can be driven at low current.
- 2.54mm lead spacing.
- Available on tape and reel.

■ Descriptions :

- The series is specially designed for applications that requiring higher brightness.
- The LED lamps are available with different colors,intensities, epoxy colors, etc.

■ Package Dimensions:



■ Applications :

- TV Set
- Monitor
- Telephone
- Computer

■ Notes :

- 1.All dimensions are in millimeters
- 2.An epoxy meniscus may extend about 1.5mm(0.059") down to the lead.

PART NO	Chip		Lens Color
	Material	Emitted Color	
5284UBT/C470	InGaN/SiC	Blue	Blue Trans

B89061506.8906102

OFFICE : NO. 25.Lane 76.Sec.3. Chung Yang Rd.. Tucheng 236. Taipei. Taiwan. R.O.C.

TEL : 886-2-2267-2000,2267-9936

FAX : 886-2-2267-6244,22676189,22676306

<http://www.everlight.com>



EVERLIGHT ELECTRONICS CO.,LTD.

Device Number : DLE-532-008 REV: 1.0

3.2X4.3 mm Elliptical Wide Angle LEDs

MODEL NO : 5284UBT/C470 ECN : _____ Page: 2/4

Absolute Maximum Ratings at Ta = 25°C

Parameter	Symbol	Rating	Unit
Forward Current	I _F	30	mA
Operating Temperature	T _{opr}	-40 to +85	°C
Storage Temperature	T _{stg}	-40 to +100	°C
Soldering Temperature	T _{sol}	260 ± 5	°C
Electrostatic Discharge	ESD	1000	V
Power Dissipation	P _d	120	mW
Peak Forward Current(Duty 1/10 @ 1KHZ)	I _{F(Peak)}	100	mA
Reverse Voltage	V _R	5	V

Electronic Optical Characteristics :

Parameter	Symbol	Min.	Typ.	Max.	Unit	Condition
Luminous Intensity	I _v	63	100		mcd	I _F =20mA
Viewing Angle	2θ 1/2		X:75 Y: 25	----	deg	I _F =20mA
Peak Wavelength	λ _p	----	468	----	nm	I _F =20mA
Dominant Wavelength	λ _d	----	470	----	nm	I _F =20mA
Spectrum Radiation Bandwidth	Δλ	----	26	----	nm	I _F =20mA
Forward Voltage	V _f		3.5	4.0	V	I _F =20mA
Reverse Current	I _R	----	----	50	μA	V _R =5V



3.2X4.3 mm Elliptical Wide Angle LEDs

■ Typical Electro-Optical Characteristic Curves

