

OEM Accelerometer

**ENDEVCO
MODEL
528**

Model 528

- Low Impedance
- Low-Noise, High Output
- TO-8 Packaging
- Wide Bandwidth
- Low Cost / OEM Applications

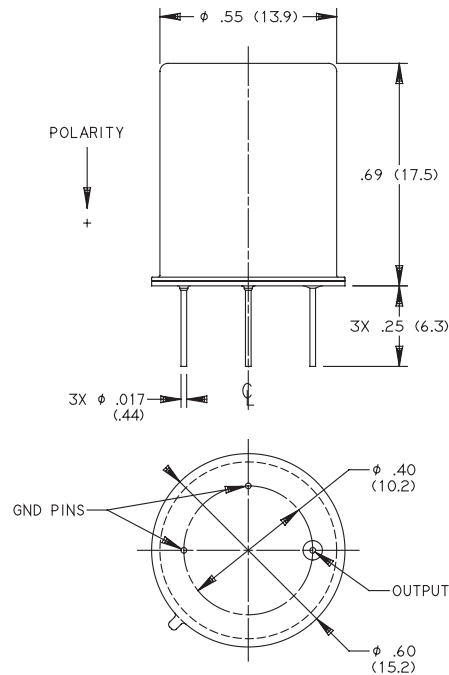


DESCRIPTION

The ENDEVCO Model 528 is a miniature piezoelectric accelerometer configured in a TO-8 package. As a low-impedance piezoelectric device, the Model 528 offers a wide frequency response, high shock survivability and low noise. The Model 528 is designed specifically to provide high-performance integrated vibration measurement of machines, structures or vehicles. Mounting hardware and cabling are eliminated. The device is designed for integration in standard hybrid or SMT electronics packaging and may be mounted by either adhesive or soldering.

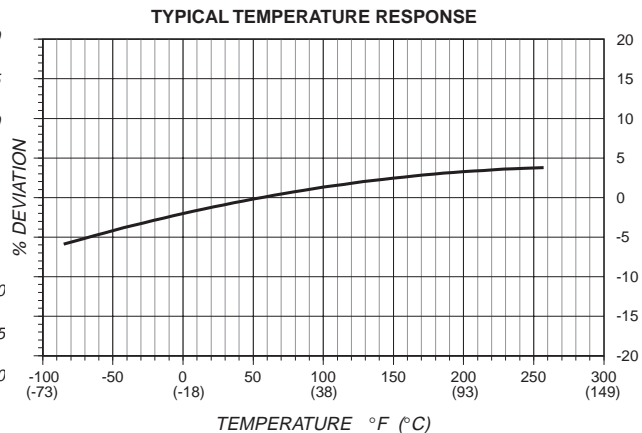
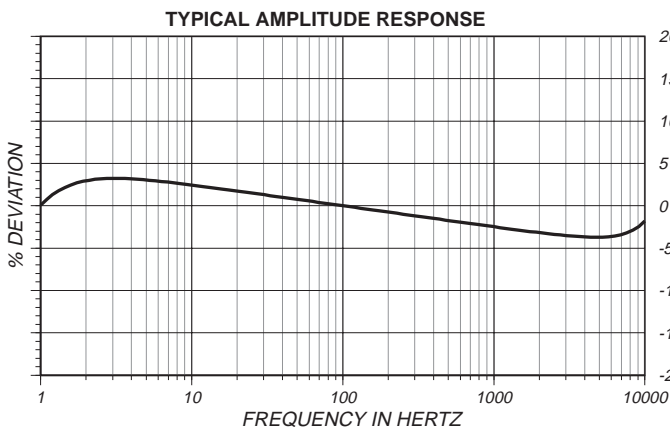
The ENDEVCO Model 528 is a hermetically sealed design capable of withstanding long-term reliability in harsh environments. The Model 528 is available with two power configuration options:

- 528-01: +18 to +28 VDC, 2 to 20 mA constant current
- 528-02: +5 to +18 VDC, 0.39 to 2 mA constant current



STANDARD TOLERANCE
INCHES (MILLIMETERS)
XX = +/- .03 (X = +/- .8)
.XXX = +/- .010 (XX = +/- .25)

BRAVO 5128



OEM Accelerometer

SPECIFICATIONS

Values are typical at +23°C, referenced at 100 Hz and conform to ISA-RP 37.2 (1-64) unless otherwise specified.

DYNAMIC CHARACTERISTICS	Units	528-100	528-500	525-1000
RANGE	g	±50	±25	±5
VOLTAGE SENSITIVITY (±20%)	mV/g	100	500	1000
RESONANCE FREQUENCY	KHz			
AMPLITUDE RESPONSE ±10%	Hz		0.5 to 10 000	
TEMPERATURE RESPONSE				
Sensitivity deviation at -40°C	%		+3.5	
Sensitivity deviation at +125°C	%		-3.7	
TRANSVERSE SENSITIVITY	%		< 5	
AMPLITUDE LINEARITY	%		< 1 to full scale	

ELECTRICAL CHARACTERISTICS

SUPPLY VOLTAGE	Vdc	(-01)+18 to +28	(-02)+5 to +18	
SUPPLY CURRENT	mA	(-01)+2 to +20	(-02)+0.4 to +2	
WARM-UP TIME	sec		<5	
DC OUTPUT BIAS VOLTAGE	Vdc	(-01)+7 to +14	(-02)+2.7 to +3.6	
FULL SCALE OUTPUT VOLTAGE	Vdc		1.6V	
NOISE BROADBAND	µVrms	100	50	10

OUTPUT CHARACTERISTICS

OUTPUT POLARITY				
GROUNDING			Signal Ground Connects to Case	

ENVIRONMENTAL CHARACTERISTICS

OPERATING TEMPERATURE			-54°C to +125°C (-65°F to +257°F)	
HUMIDITY			Hermetic	
SINUSOIDAL VIBRATION LIMIT	g pk		500	
SHOCK LIMIT [1]	g pk		10000	
BASE STRAIN SENSITIVITY				

PHYSICAL CHARACTERISTICS

DIMENSIONS		TO-8 package
		0.60" dia, 0.40" tall
WEIGHT	oz (gram)	0.88 (25)
CASE MATERIAL		Stainless Steel
SUPPORT		Kovar, gold plated
LID		Stainless Steel
OUTPUT CONNECTION		1 Output lead 1 ground

ACCESSORIES

No accessories included.

NOTES

- Maintain high levels of precision and accuracy using Endevco's factory calibration services. Call Endevco's inside sales force at 800-982-6732 for recommended intervals, pricing and turn-around time for these services as well as for quotations on our standard products.

Continued product improvement necessitates that Endevco reserve the right to modify these specifications without notice. Endevco maintains a program of constant surveillance over all products to ensure a high level of reliability. This program includes attention to reliability factors during product design, the support of stringent Quality Control requirements, and compulsory corrective action procedures. These measures, together with conservative specifications have made the name Endevco synonymous with reliability.

ENDEVCO CORPORATION, 30700 RANCHO VIEJO ROAD, SAN JUAN CAPISTRANO, CA 92675 USA (800) 982-6732 (949) 493-8181 fax (949) 661-7231
www.endevco.com Email:applications@endevco.com