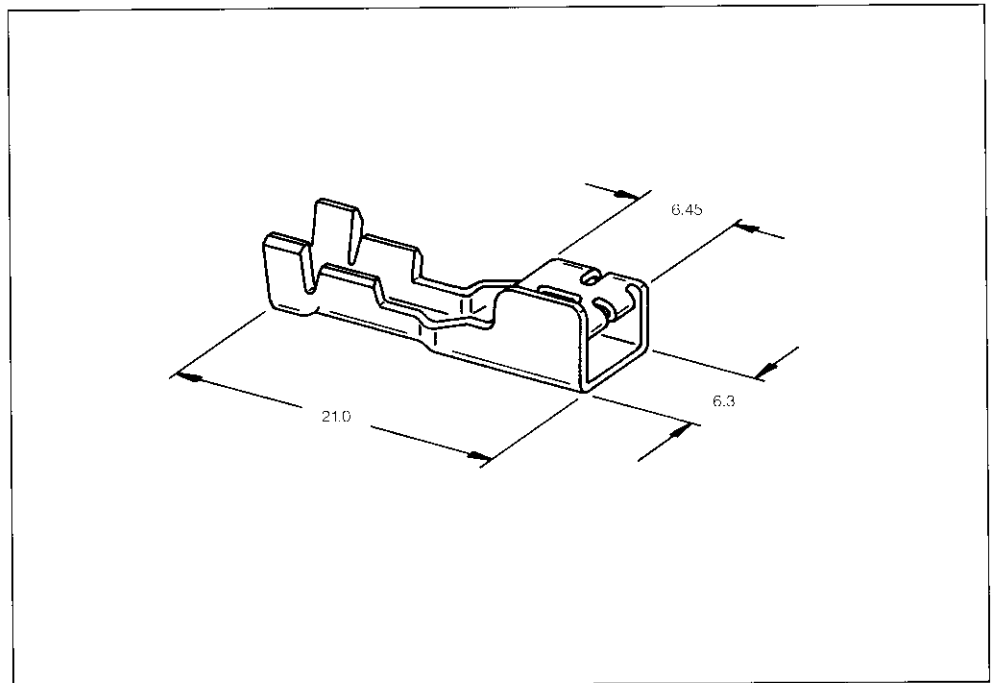


Receptacle Contacts



Receptacle Contacts

Wire Size Range	Insulation Diameter		Material and Finish	Part Numbers				Hand Tool with Die Set
	FLK	FLR		Strip Form	Packaging Unit	Loose-Piece	Packaging Unit	
mm <sup>2</sup> (AWG)	mm (Inch)	mm (Inch)						
0.35-1.00 (22-17)	1.0-2.0 (.039-.079)	-	CuSn, plain	142685-1	12,000	-	-	-
			CuSn, pre-tin plated	142685-2	-	-	-	
1.0-3.0 (17-12)	2.0-3.2 (.079-.126)	-	CuSn, plain	142686-1	10,500	-	-	-
			CuSn, pre-tin plated	142686-2	10,000	-	-	

\*) Applicators are application specific, consult Tyco Electronics for details.