

PLEASE CHECK WWW.MOLEX.COM FOR LATEST PART INFORMATION

Part Number: [1050200008](#)
Status: **Active**
Overview: [displayport](#)
Description: 0.50mm (.020") Pitch DisplayPort* Male Receptacle, Right Angle, Through Hole, DIP Type, 0.76µm (30µ") Gold (Au) Plating, 20 Circuits, with Flange and Cover, Leadfree

Documents:

[3D Model](#) [Product Specification PS-47272-001 \(PDF\)](#)
[Drawing \(PDF\)](#) [RoHS Certificate of Compliance \(PDF\)](#)

General

Product Family	I/O Connectors
Series	105020
Application	Wire-to-Board
Comments	With Flange. With Cover
Component Type	Receptacle
Overview	displayport
Product Name	DisplayPort*
Type	N/A

Physical

Boot Color	N/A
Circuits (Loaded)	20
Circuits (maximum)	20
Color - Resin	Black
Gender	Male
Keying to Mating Part	Yes
Lock to Mating Part	Yes
Material - Metal	Copper Alloy
Material - Plating Mating	Gold
Material - Plating Termination	Tin-Bismuth
Material - Resin	High Temperature Thermoplastic
Number of Rows	2
Orientation	Right Angle
PCB Locator	No
PCB Retention	Yes
PCB Thickness Recommended (in)	0.063 In
PCB Thickness Recommended (mm)	1.60 mm
Packaging Type	Embossed Tape on Reel
Panel Mount	With Flange
Pitch - Mating Interface (in)	0.039 In
Pitch - Mating Interface (mm)	0.50 mm
Pitch - Term. Interface (in)	0.039 In
Pitch - Term. Interface (mm)	0.50 mm
Plating min: Mating (µin)	30
Plating min: Mating (µm)	0.76
Plating min: Termination (µin)	40
Plating min: Termination (µm)	1
Polarized to Mating Part	Yes
Polarized to PCB	Yes
Ports	1
Temperature Range - Operating	-20°C to +85°C
Termination Interface: Style	Through Hole
Waterproof / Dustproof	No

Electrical

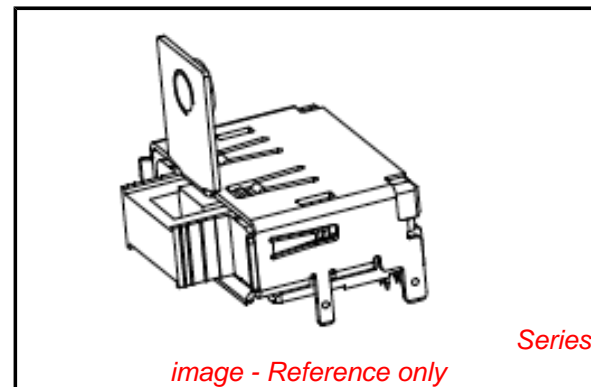


image - Reference only

EU RoHS

**ELV and RoHS
Compliant**
**REACH SVHC
Not Reviewed**
**Halogen-Free
Status
Not Reviewed**

China RoHS



**Need more information on product
environmental compliance?**

Email productcompliance@molex.com
For a multiple part number RoHS Certificate of Compliance, [click here](#)

Please visit the [Contact Us](#) section for any non-product compliance questions.

Search Parts in this Series
[105020Series](#)

Current - Maximum per Contact	0.5A
Grounding to Panel	Yes
Shielded	Yes
Voltage - Maximum	40V AC

Material Info

Reference - Drawing Numbers

Product Specification	PS-47272-001
Sales Drawing	SD-105020-001

* DisplayPort is a Trademark of VESA

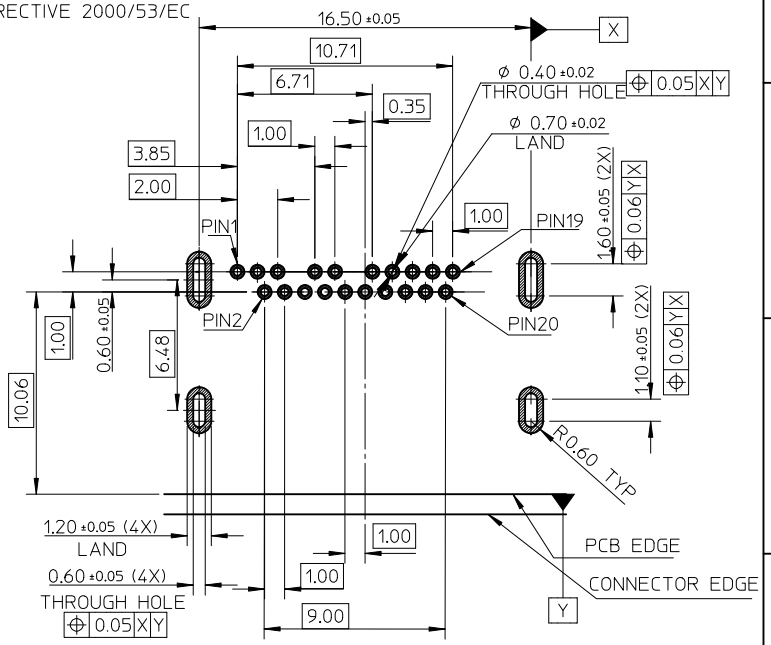
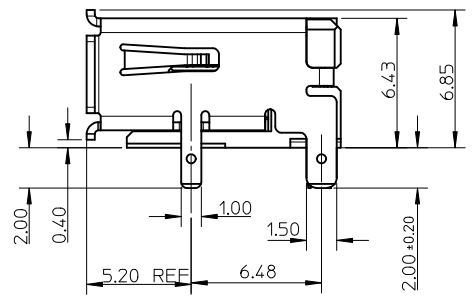
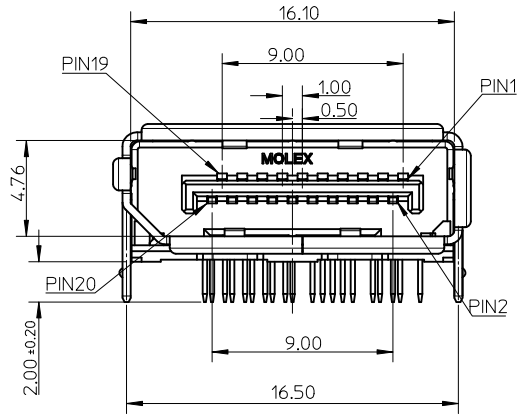
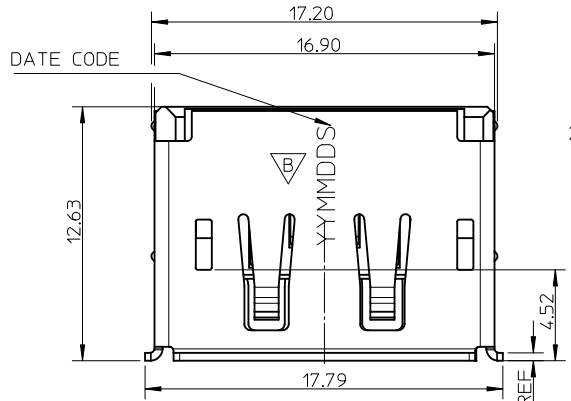
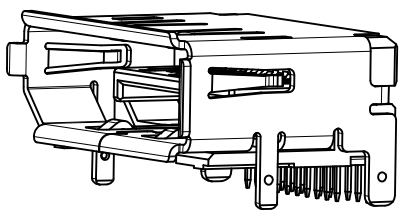
This document was generated on 05/31/2010

PLEASE CHECK WWW.MOLEX.COM FOR LATEST PART INFORMATION

10 9 8 7 6 5 4 3 2 1

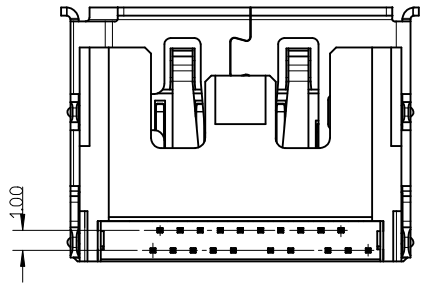
NOTES:

1. MATERIAL,
HOUSING:HIGH TEMPERATURE THERMAL PLASTIC BLACK 30% GLASS FILLED,UL94V-0.
GUIDE:HIGH TEMPERATURE THERMAL PLASTIC BLACK 30% GLASS FILLED,UL94V-0.
TERMINAL: COPPER ALLOY
SHELL: COPPER ALLOY
- 2.PLATING:
TERMINAL:CONTACT AREA (1)0.76MICROMETER GOLD PLATING
(2)0.38MICROMETER GOLD PLATING
(3) GOLD FLASH PLATING
AND SOLDER TAIL(a) 1-3MICROMETER TIN BISMUTH PLATING
(b)GOLD FLASH PLATING
UNDER PLATING 1-3 MICROMETER NICKEL PLATING OVERALL
SHELL:1.27~2.54 MICROMETER SOLDERABLE NICKEL PLATING OVERALL
3. PRODUCT COMPLANT TO ROHS DIERTIVE 2002/95/EC AND ELV DIRECTIVE 2000/53/EC



RECOMMENDER PCB LAYOUT (THINKNESS=1.6±0.15)

BOTTOM VIEW

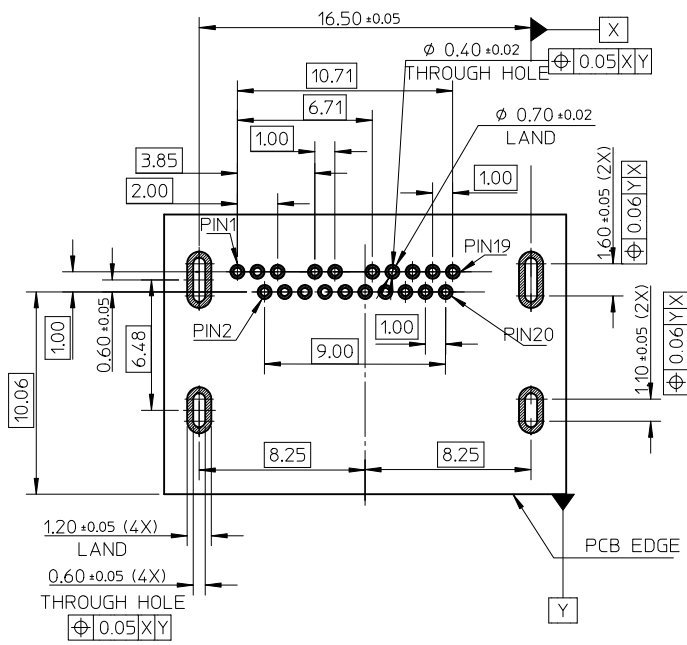
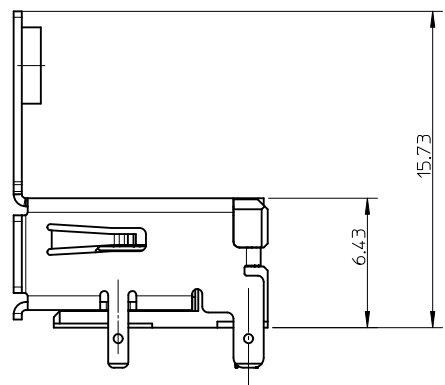
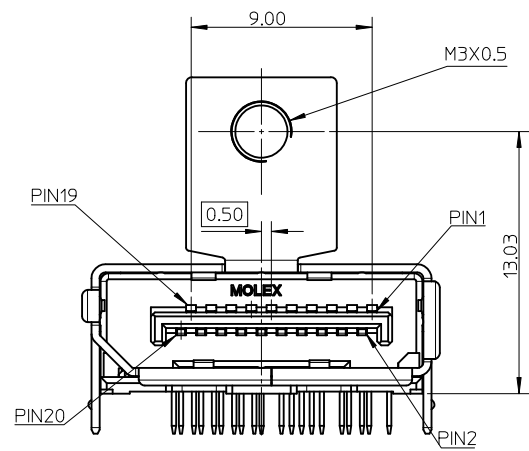
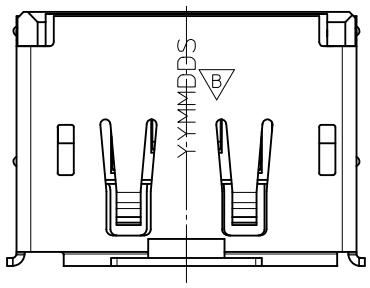
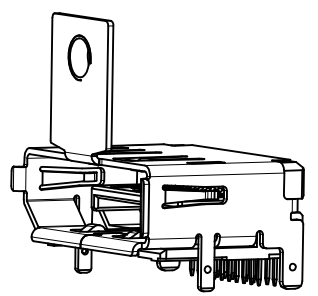


REVISED EC NO: SH2010-0424 DRWN:HHE CHKD:FYANG05 APPR:RZHANG 2010/05/12 2010/05/17 2010/06/14	DESCRIPTION REV	QUALITY SYMBOLS ▽=0 C=0	GENERAL TOLERANCES (UNLESS SPECIFIED)		DIMENSION STYLE MM ONLY		SCALE 2:1	DESIGN UNITS METRIC	THIRD ANGLE PROJECTION																	
		<table border="1"> <thead> <tr> <th></th> <th>mm</th> <th>INCH</th> </tr> </thead> <tbody> <tr> <td>4 PLACES</td> <td>± ---</td> <td>± ---</td> </tr> <tr> <td>3 PLACES</td> <td>± ---</td> <td>± ---</td> </tr> <tr> <td>2 PLACES</td> <td>± 0.2</td> <td>± ---</td> </tr> <tr> <td>1 PLACE</td> <td>± 0.2</td> <td>± ---</td> </tr> </tbody> </table>			mm	INCH	4 PLACES	± ---	± ---	3 PLACES	± ---	± ---	2 PLACES	± 0.2	± ---	1 PLACE	± 0.2	± ---	DRAWN BY HHE		DATE 2007-05-21		TITLE 1.0MM PITCH DIP TYPE DISPLAY PORT HEADER -LEAD FREE-			
			mm	INCH																						
		4 PLACES	± ---	± ---																						
		3 PLACES	± ---	± ---																						
2 PLACES	± 0.2	± ---																								
1 PLACE	± 0.2	± ---																								
ANGULAR ± 1 °		CHECKED BY HWWANG		DATE 2007-05-21		MOLEX INCORPORATED DOCUMENT NO. SD-105020-001 SHEET NO. 1 OF 4																				
DRAFT WHERE APPLICABLE MUST REMAIN WITHIN DIMENSIONS		APPROVED BY JNCHEN		DATE 2007-05-21																						
		MATERIAL NO.		SIZE A3		THIS DRAWING CONTAINS INFORMATION THAT IS PROPRIETARY TO MOLEX INCORPORATED AND SHOULD NOT BE USED WITHOUT WRITTEN PERMISSION																				

9 8 7 6 5 4 3 2 1

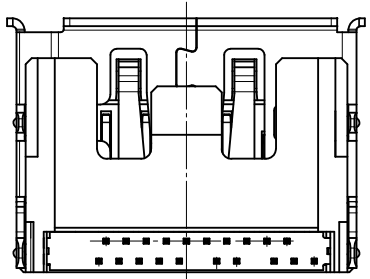
WITH FLANGE

NOTES:
UNSPECIFIED DIMENSION ARE SAME AS SHEET1



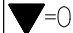
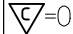
RECOMMENDER PCB LAYOUT (THICKNESS=1.6±0.15)

BOTTOM VIEW

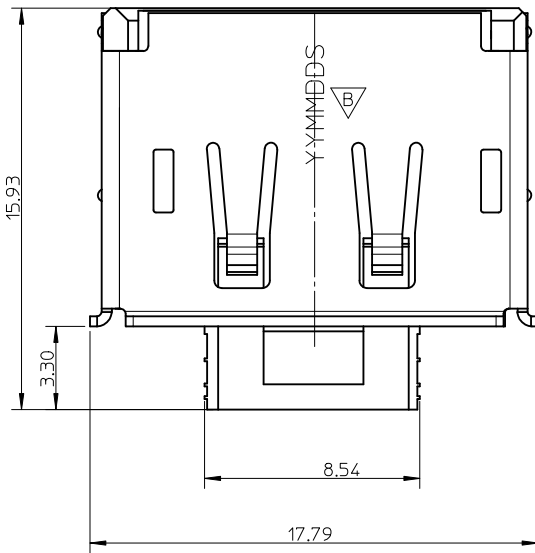
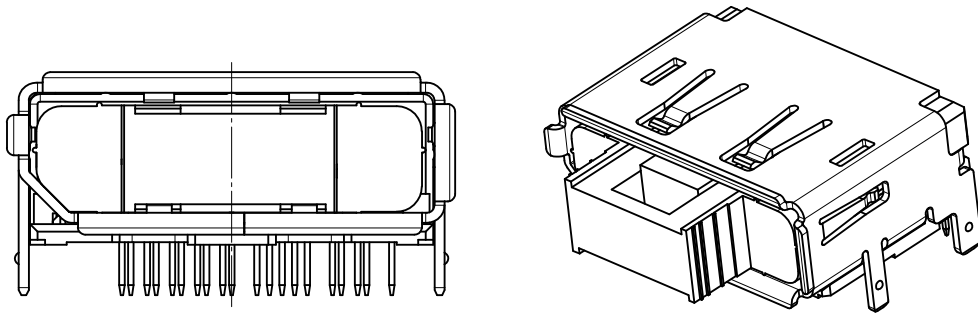


REVISED EC NO: SH2010-0424 DRWN:HHE 2010/05/12 CHKD:FYANG05 2010/05/17 APPR:RZHANG 2010/06/14 D	DESCRIPTION REV	QUALITY SYMBOLS ▽=0 ◻=0	GENERAL TOLERANCES (UNLESS SPECIFIED)		DIMENSION STYLE MM ONLY		SCALE 2:1	DESIGN UNITS METRIC	THIRD ANGLE PROJECTION		
		4 PLACES ± --- ± --- 3 PLACES ± --- ± --- 2 PLACES ± 0.2 ± --- 1 PLACE ± 0.2 ± --- ANGULAR ± 1 °	mm INCH DRAWN BY HHE DATE 2007-05-21 CHECKED BY HWANG DATE 2007-05-21 APPROVED BY JNCHEN DATE 2007-05-21 MATERIAL NO.	TITLE 1.0MM PITCH DIP TYPE DISPLAY PORT HEADER -LEAD FREE-		MOLEX INCORPORATED		DOCUMENT NO. SD-105020-001		SHEET NO. 2 OF 4	
		DRAFT WHERE APPLICABLE MUST REMAIN WITHIN DIMENSIONS			SEE SHEET 3		THIS DRAWING CONTAINS INFORMATION THAT IS PROPRIETARY TO MOLEX INCORPORATED AND SHOULD NOT BE USED WITHOUT WRITTEN PERMISSION				
		SIZE A3									

10	9	8	7	6	5	4	3	2	1		
ASSEMBLY NO.	FLANGE	PLATING IN THE CONTACT AREA	PLATING IN THE SOLDER TAIL AREA	WITH COVER	REMARK						
105020-0001	WITHOUT	SEE NOTE2(1)	SEE NOTE2(a)	WITHOUT	FOR SHEET 1						
105020-0003		SEE NOTE2(2)									
105020-0004		SEE NOTE2(3)									
105020-0013		SEE NOTE2(1)				SEE NOTE2(b)					
105020-0002	WITH	SEE NOTE2(1)	SEE NOTE2(a)	WITHOUT	FOR SHEET 2						
105020-0005		SEE NOTE2(2)									
105020-0016		SEE NOTE2(3)									
105020-0007	WITHOUT	SEE NOTE2(1)									
105020-0008	WITH	SEE NOTE2(1)									
105020-0009	WITHOUT	SEE NOTE2(2)		WITH	FOR SHEET 4						
105020-0010		SEE NOTE2(3)									
105020-0011	WITH	SEE NOTE2(2)									
105020-0012		SEE NOTE2(3)									

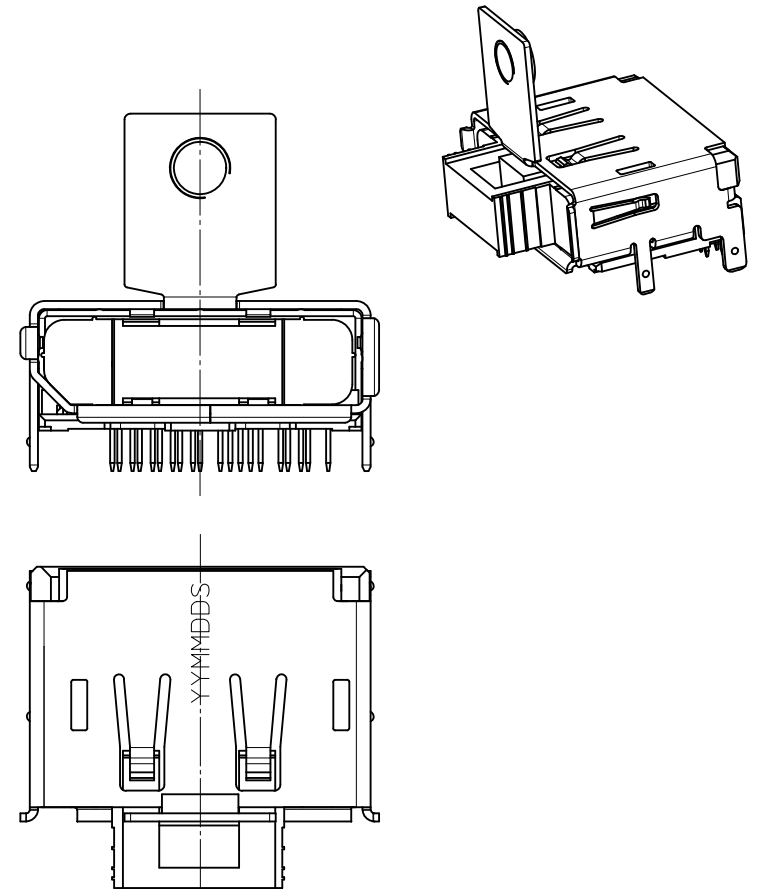
REVISED EC NO: SH2010-0424 DRWN:HHE 2010/05/12 CHKD:FYANG05 2010/05/17 APPR:RZHANG 2010/06/14	QUALITY SYMBOLS	GENERAL TOLERANCES (UNLESS SPECIFIED)		DIMENSION STYLE		SCALE	DESIGN UNITS	THIRD ANGLE PROJECTION		
	 = 0  = 0	mm	INCH	MM ONLY		2:1	METRIC			
		4 PLACES	± ---	± ---	DRAWN BY	DATE	TITLE			
		3 PLACES	± ---	± ---	HHE	2007-05-21	1.0MM PITCH DIP TYPE DISPLAY PORT HEADER -LEAD FREE-			
	2 PLACES	± 0.2	± ---	CHECKED BY	DATE	MOLEX INCORPORATED				
	1 PLACE	± 0.2	± ---	HWWANG	2007-05-21					
	ANGULAR ± 1 °		APPROVED BY		DATE	DOCUMENT NO.		SHEET NO.		
	DRAFT WHERE APPLICABLE MUST REMAIN WITHIN DIMENSIONS		JNCHEN		2007-05-21	SD-105020-001		3 OF 4		
	SIZE	THIS DRAWING CONTAINS INFORMATION THAT IS PROPRIETARY TO MOLEX INCORPORATED AND SHOULD NOT BE USED WITHOUT WRITTEN PERMISSION								
	A3									

WITH COVER



- NOTES:
 1.UNSPECIFIED DIMENSION ARE SAME AS SHEET1
 2.CONNECTOR WITH COVER IS RECOMMENDED FOR WAVING SOLDERING PEG
 3.PCB DIMENSION REFER TO SHEET1

WITH FLANGE AND COVER



- NOTES:
 1.UNSPECIFIED DIMENSION ARE SAME AS SHEET1
 2.CONNECTOR WITH COVER IS RECOMMENDED FOR WAVING SOLDERING PEG
 3.PCB DIMENSION REFER TO SHEET1

REVISED EC NO: SH2010-0424 DRWN:HHE 2010/05/12 CHKD:FYANG05 2010/05/17 APPR:RZHANG 2010/06/14 D	QUALITY SYMBOLS ▽=0 ◻=0	GENERAL TOLERANCES (UNLESS SPECIFIED)		DIMENSION STYLE MM ONLY	SCALE 2:1	DESIGN UNITS METRIC	THIRD ANGLE PROJECTION		
		4 PLACES ± --- ± ---	3 PLACES ± --- ± ---	2 PLACES ± 0.2 ± ---	1 PLACE ± 0.2 ± ---	ANGULAR ± 1 °	DRAWN BY HHE	DATE 2007-05-21	TITLE 1.0MM PITCH DIP TYPE DISPLAY PORT HEADER -LEAD FREE-
		DRAFT WHERE APPLICABLE MUST REMAIN WITHIN DIMENSIONS		SEE SHEET 3	MATERIAL NO. JNCHEN	DATE 2007-05-21	DOCUMENT NO. SD-105020-001	SHEET NO. 4 OF 4	
		THIS DRAWING CONTAINS INFORMATION THAT IS PROPRIETARY TO MOLEX INCORPORATED AND SHOULD NOT BE USED WITHOUT WRITTEN PERMISSION							