

# Speech Synthesiser Module

## Type SM018

**Publication Number PB131/0902**

### Application

The SM018 Speech Module has been specifically designed to plug into the Dewhurst CH024 or CH034 Serial Encoder Board. Through dedicated inputs on the encoder it provides facilities for floor identification, door opening, door closing, direction of travel as well as warning and information announcements.

There is a large vocabulary of English phrases that will cover the majority of requirements. However, custom phrases can be accommodated.

The SM018 announcements provide clear information to lift users and are of particular importance to blind and partially sighted people for applications requiring compliance to Lift and Building Regulations.

### Installation

The SM018 is supplied with a loudspeaker and two line transformers, which allows the speaker to be situated up to 300 metres away from the speech module.

For optimum sound quality we recommend that the loudspeaker be mounted in the roof of the lift car or alternatively, it could be mounted behind a grill in the car control station or any other suitable location.

Since the SM018 is mounted in the machine room, the line transformers supplied need to be used in order to ensure minimum line resistance loss and distortion. This is dependant on cabling and distance.

The SM018 incorporates a control to adjust normal and hush speech volume.

### Specification

Power Supply	12-24V a.c. or 12 - 30V d.c.	
Consumption	Average 50mA, Peak 200mA	
Input Signals	12-24V (+-15%)	
Audio Output	2.5 watts	
Dimensions (mm)	Speech Module	80L x 74W x 20D
Weight	100g	
Dimensions(mm)	Speaker	87L x 87W x 32D
Weight	150g	
Four fixing holes are provided 71mm apart on both width and height		
Phrase Time	120 seconds total capacity	
Dimensions (mm)	Transformer	42L x 73W x 33D
Weight	50g	

### Features

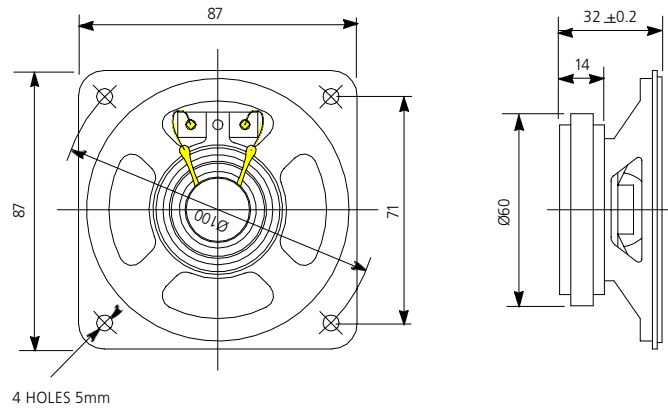
- Up to 64 floor phrases
- Up to 50 auxiliary phrases
- Two direction messages
- All the above are derived via the inputs into the CH024 or CH034 encoder
- Minimal wiring requirement
- Separate volume controls for normal and hush mode
- Hush mode triggered by input (CH024) or by time (CH034)

### EEC Directives

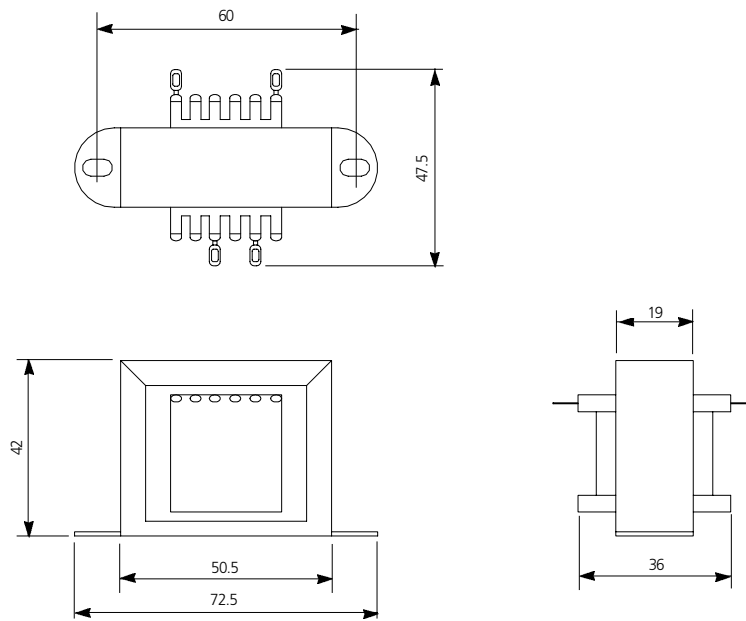
This component has been designed with due consideration to both BSEN81 parts 1 & 2 and the EMC Regulation BSEN12015 and BSEN12016 for incorporation in a lift application.

Power must be switched OFF before any maintenance is carried out.

### SPEAKER TEMPLATE FIXING



### LINE TRANSFORMER



### SPEECH PCB

