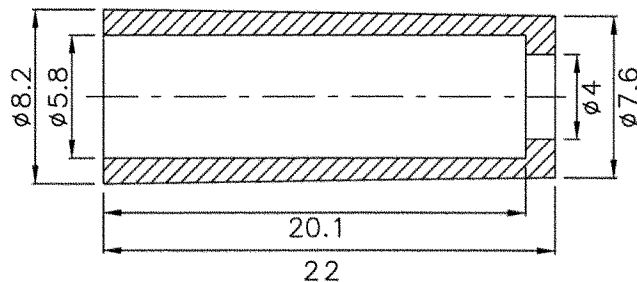
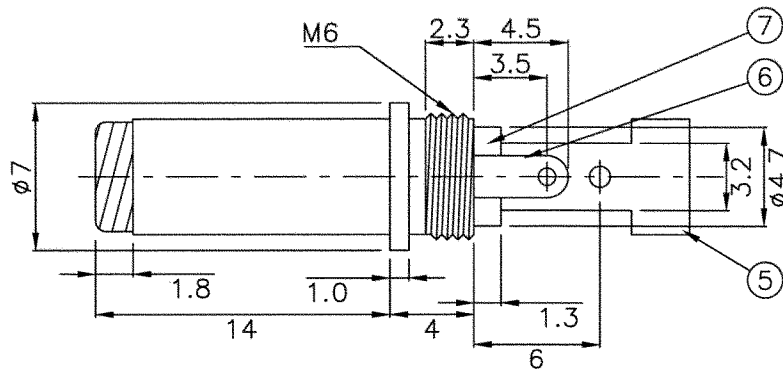


No	DESCRIPTION	MATERIAL	FINISH
1.	HOUSING	BAKELITE	BLACK
2.	INSULATOR RING	POM	BLACK
3.	INNER BARREL	BRASS	NICKEL PLATED
4.	OUTER SLEEVE	BRASS	NICKEL PLATED
5.	GROUND TERMINAL	BRASS 0.3T	NICKEL PLATED
6.	TERMINAL	BRASS 0.2T	NICKEL PLATED
7.	INSULATOR	POM	RED COLOR

TOLERANCE:  $\pm 0.3\text{MM}$  UNLESS OTHERWISE SPECIFIED



9615 SW Allen, Suite 103  
 Beaverton, OR 97005  
 Phone: (503) 643-4899  
 800-275-4899  
 Fax: (503) 643-6129  
 Website: www.cui.com

TITLE: DC PLUG		
PART NO. PP-002A	UNITS: MM [INCHES]	
DRAWN BY: Todd R. White	APPROVED BY:	SCALE: 3X

PC FILE NAME:  
PP\_002A.DWG

COPYRIGHT 1997 BY CUI INC.