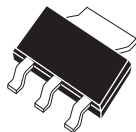


CS223-2M  
CS223-2N

2.0 AMP SCR  
600 THRU 800 VOLTS



SOT-223 CASE

# Central<sup>TM</sup>

Semiconductor Corp.

## DESCRIPTION:

The CENTRAL SEMICONDUCTOR CS223-2M series type is an Epoxy Molded Silicon Controlled Rectifier designed for sensing circuit applications and control systems.

MARKING CODE: FULL PART NUMBER

MAXIMUM RATINGS: ( $T_C=25^\circ\text{C}$  unless otherwise noted)

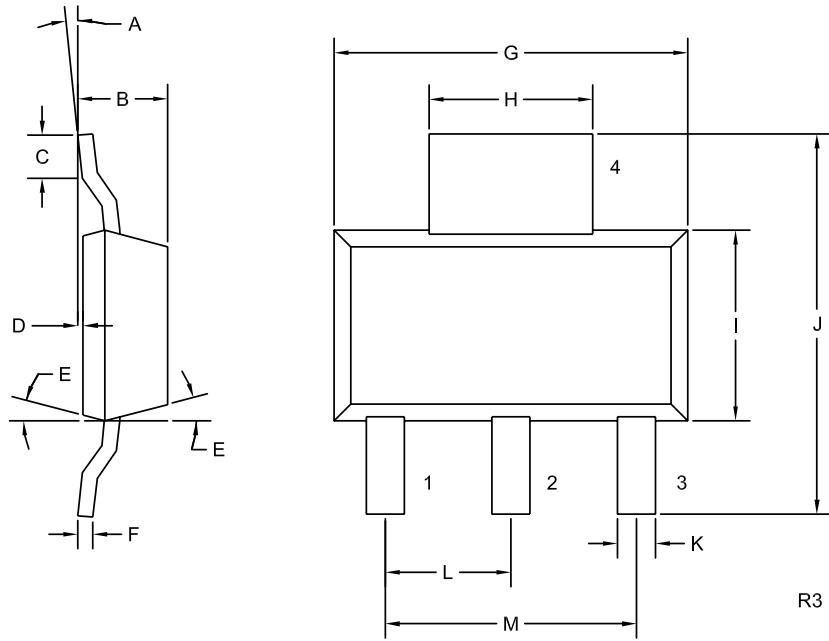
	SYMBOL	CS223 -2M	CS223 -2N	UNITS
Peak Repetitive Off-State Voltage	$V_{DRM}, V_{RRM}$	600	800	V
RMS On-State Current ( $T_C=60^\circ\text{C}$ )	$I_T(\text{RMS})$		2.0	A
Peak One Cycle Surge ( $t=10\text{ms}$ )	$I_{TSM}$		10	A
$I^2t$ Value for Fusing ( $t=10\text{ms}$ )	$I^2t$		0.24	A <sup>2</sup> s
Peak Gate Power ( $t_p=10\mu\text{s}$ )	$P_{GM}$		2.0	W
Average Gate Power Dissipation	$P_{G(AV)}$		0.1	W
Peak Gate Current ( $t_p=10\mu\text{s}$ )	$I_{GM}$		1.0	A
Peak Gate Voltage ( $t_p=10\mu\text{s}$ )	$V_{GM}$		8.0	V
Storage Temperature	$T_{stg}$	-40 to +150		$^\circ\text{C}$
Junction Temperature	$T_J$	-40 to +125		$^\circ\text{C}$
Thermal Resistance	$\theta_{JA}$		62.5	$^\circ\text{C/W}$

ELECTRICAL CHARACTERISTICS: ( $T_C=25^\circ\text{C}$  unless otherwise noted)

SYMBOL	TEST CONDITIONS	MIN	TYP	MAX	UNITS
$I_{DRM}, I_{RRM}$	Rated $V_{DRM}, V_{RRM}, R_{GK}=1\text{K}\Omega$			10	$\mu\text{A}$
$I_{DRM}, I_{RRM}$	Rated $V_{DRM}, V_{RRM}, R_{GK}=1\text{K}\Omega, T_C=125^\circ\text{C}$			100	$\mu\text{A}$
$I_{GT}$	$V_D=12\text{V}$		20	200	$\mu\text{A}$
$I_H$	$R_{GK}=1\text{K}\Omega$			2.0	mA
$V_{GT}$	$V_D=12\text{V}$			0.8	V
$V_{TM}$	$I_{TM}=4.0\text{A}, t_p=380\mu\text{s}$		1.4	1.7	V
dv/dt	$V_D=2/3 V_{DRM}, R_{GK}=1\text{K}\Omega, T_C=125^\circ\text{C}$	10			V/ $\mu\text{s}$

R0 (11-May 2004)

SOT-223 CASE - MECHANICAL OUTLINE



**LEAD CODE:**

- 1) CATHODE
- 2) ANODE
- 3) GATE
- 4) ANODE

**MARKING CODE:**

**FULL PART NUMBER**

DIMENSIONS				
SYMBOL	INCHES		MILLIMETERS	
	MIN	MAX	MIN	MAX
A	0°	10°	0°	10°
B	0.059	0.071	1.50	1.80
C	0.018	---	0.45	---
D	0.000	0.004	0.00	0.10
E	15°		15°	
F	0.009	0.014	0.23	0.35
G	0.248	0.264	6.30	6.70
H	0.114	0.122	2.90	3.10
I	0.130	0.146	3.30	3.70
J	0.264	0.287	6.70	7.30
K	0.024	0.033	0.60	0.85
L	0.091		2.30	
M	0.181		4.60	

SOT-223 (REV: R3)