

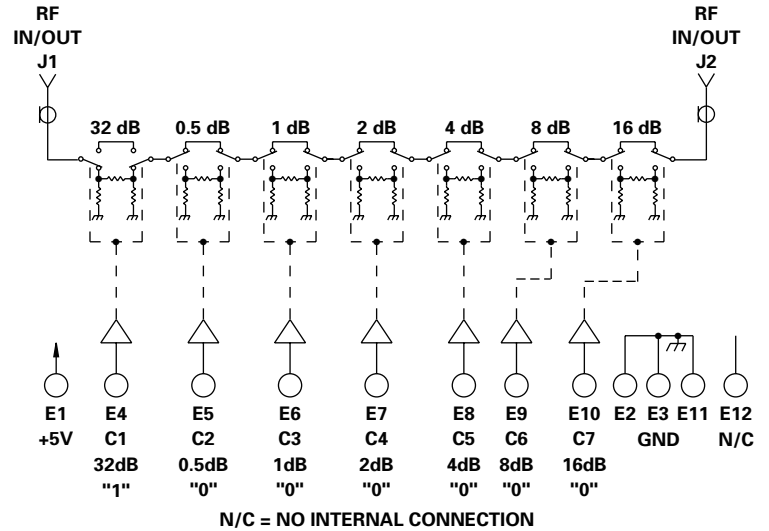
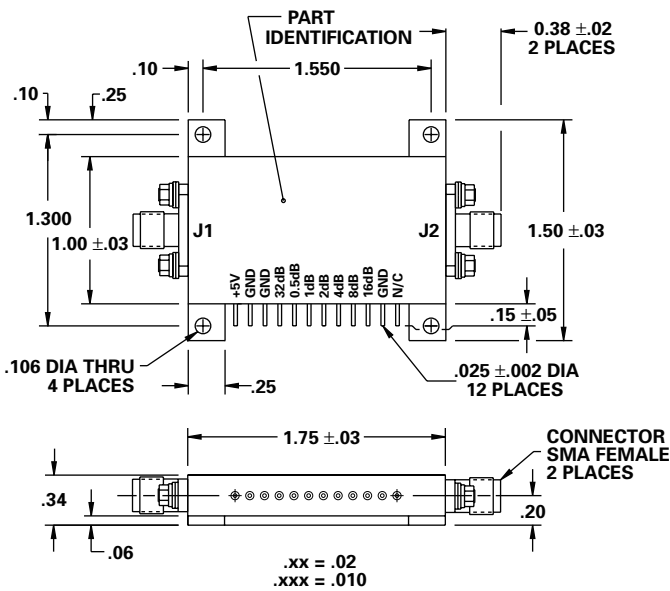
## FEATURES

- 10 - 1000 MHz
- 3 mA, +5 VDC
- 17 nSec Transition Time
- 27 nSec Switching Speed
- 0.5 dB LSB, 63.5 dB Range
- See DA0887 for 38 Pin DIP Version
- Replaceable SMA Connectors
- 54 mV Transients
- TTL Control



MODEL NO.  
CDA0867

## GaAs 7 Section Attenuator



## GUARANTEED PERFORMANCE

| Parameter                    | Min                      | Typ        | Max              | Units    | Conditions   |
|------------------------------|--------------------------|------------|------------------|----------|--|
| Operating Frequency          | 10                       |            | 1000             | MHz      |  |
| DC Current                   |                          | 3          | 7                | mA       | At +5 VDC Supply   |
| Control Type                 |                          | TTL        |                  |          | 7 Line<br>Logic "0" = Thru<br>Logic "1" = Attenuation              |
| Control Current              | High<br>Low              | 0<br>0     | ±20<br>±20       | µA       | V <sub>IH</sub> = +2.7 V<br>V <sub>IL</sub> = +0.5 V               |
| Insertion Loss               |                          | 6.4<br>6.8 | 8.0<br>9.0       | dB       | 10 - 300 MHz<br>300 - 1000 MHz                                     |
| Phase Change Vs. Attenuation |                          | ±3<br>±4   | ±5<br>±8         | DEG      | 10 - 500 MHz<br>500 - 1000 MHz<br>(up to 15.5 dB of Atten.)        |
| Attenuation                  | LSB<br>Range<br>Accuracy | 0          | 0.5<br>63.5      | dB<br>dB | 0.5, 1, 2, 4, 8, 16, 32<br>± (0.25 dB +2% of Atten. Setting in dB) |
| VSWR                         |                          | 1.18/1     | 1.35/1           |          |  |
| Impedance                    |                          | 50         |                  | OHMS     |  |
| Switching Speed              |                          | 27         | 35               | nSec     | 50% TTL to 90% / 10% RF  |
| Transition (Rise/Fall) Time  |                          | 17         |                  | nSec     | 90% / 10% or 10% / 90% RF  |
| Switching (Video) Transients |                          | 54         |                  | mV       | Peak Value   |
| Intercept Points             | 2nd<br>3rd               | +65<br>+38 |                  | dBm      | 70 MHz / 50 MHz<br>35 MHz / 50 MHz                                 |
| RF Power                     | Operate<br>No Damage     | +10<br>+13 | +8<br>+10<br>+24 | dBm      | 0.1 dB Comp. 10 - 50 MHz<br>50 - 1000 MHz                          |
| Operating Temperature        |                          | -55        | +25              | +125     | °C<br>TA   |

