

# DATA SHEET

**80C31X2/32X2**

**80C51X2/52X2/54X2/58X2**

**87C51X2/52X2/54X2/58X2**

**80C51 8-bit microcontroller family**

4K/8K/16K/32K ROM/OTP

128B/256B RAM

low voltage (2.7 to 5.5 V), low power, high speed (30/33 MHz)

Preliminary data

2001 Sep 24

## 80C51 8-bit microcontroller family

4K/8K/16K/32K ROM/OTP, low voltage (2.7 to 5.5 V),  
low power, high speed (30/33 MHz)

## 80C3xX2; 80C5xX2; 87C5xX2

### DESCRIPTION

The Philips microcontrollers described in this data sheet are high-performance static 80C51 designs incorporating Philips' high-density CMOS technology with operation from 2.7 V to 5.5 V. They support both 6-clock and 12-clock operation.

The 8xC31X2/51X2 and 8xC32X2/52X2/54X2/58X2 contain 128 byte RAM and 256 byte RAM respectively, 32 I/O lines, three 16-bit counter/timers, a six-source, four-priority level nested interrupt structure, a serial I/O port for either multi-processor communications, I/O expansion or full duplex UART, and on-chip oscillator and clock circuits.

In addition, the devices are low power static designs which offer a wide range of operating frequencies down to zero. Two software

selectable modes of power reduction — idle mode and power-down mode — are available. The idle mode freezes the CPU while allowing the RAM, timers, serial port, and interrupt system to continue functioning. The power-down mode saves the RAM contents but freezes the oscillator, causing all other chip functions to be inoperative. Since the design is static, the clock can be stopped without loss of user data. Then the execution can be resumed from the point the clock was stopped.

### SELECTION TABLE

For applications requiring more ROM and RAM, as well as more on-chip peripherals, see the P89C66x and P89C51Rx2 data sheets.

Type	Memory				Timers				Serial Interfaces				ADC bits/ch.	I/O Pins	Interrupts (External)	Program Security	Default Clock Rate	Optional Clock Rate	Max. Freq. at 6-clk / 12-clk (MHz)	Freq. Range at 3V (MHz)	Freq. Range at 5V (MHz)
	RAM	ROM	OTP	Flash	# of Timers	PWM	PCA	WD	UART	I <sup>2</sup> C	CAN	SPI									
P87C58X2	256B	-	32K	-	3	-	-	-	✓	-	-	-	-	32	6 (2)	✓	12-clk	6-clk	30/33	0-16	0-30/33
P80C58X2	256B	32K	-	-	3	-	-	-	✓	-	-	-	-	32	6 (2)	✓	12-clk	6-clk	30/33	0-16	0-30/33
P87C54X2	256B	-	16K	-	3	-	-	-	✓	-	-	-	-	32	6 (2)	✓	12-clk	6-clk	30/33	0-16	0-30/33
P80C54X2	256B	16K	-	-	3	-	-	-	✓	-	-	-	-	32	6 (2)	✓	12-clk	6-clk	30/33	0-16	0-30/33
P87C52X2	256B	-	8K	-	3	-	-	-	✓	-	-	-	-	32	6 (2)	✓	12-clk	6-clk	30/33	0-16	0-30/33
P80C52X2	256B	8K	-	-	3	-	-	-	✓	-	-	-	-	32	6 (2)	✓	12-clk	6-clk	30/33	0-16	0-30/33
P87C51X2	128B	-	4K	-	3	-	-	-	✓	-	-	-	-	32	6 (2)	✓	12-clk	6-clk	30/33	0-16	0-30/33
P80C51X2	128B	4K	-	-	3	-	-	-	✓	-	-	-	-	32	6 (2)	✓	12-clk	6-clk	30/33	0-16	0-30/33
P80C32X2	256B	-	-	-	3	-	-	-	✓	-	-	-	-	32	6 (2)	-	12-clk	6-clk	30/33	0-16	0-30/33
P80C31X2	128B	-	-	-	3	-	-	-	✓	-	-	-	-	32	6 (2)	-	12-clk	6-clk	30/33	0-16	0-30/33

#### NOTE:

1. I<sup>2</sup>C = Inter-Integrated Circuit Bus; CAN = Controller Area Network; SPI = Serial Peripheral Interface; PCA = Programmable Counter Array; ADC = Analog-to-Digital Converter; PWM = Pulse Width Modulation

**80C51 8-bit microcontroller family**  
 4K/8K/16K/32K ROM/OTP, low voltage (2.7 to 5.5 V),  
 low power, high speed (30/33 MHz)

**80C3xX2; 80C5xX2;  
 87C5xX2**

## FEATURES

- 80C51 Central Processing Unit
  - 4 kbytes ROM/EPROM (80/87C51X2)
  - 8 kbytes ROM/EPROM (80/87C52X2)
  - 16 kbytes ROM/EPROM (80/87C54X2)
  - 32 kbytes ROM/EPROM (80/87C58X2)
  - 128 byte RAM (80/87C51X2 and 80C31X2)
  - 256 byte RAM (80/87C52/54X2/58X2 and 80C32X2)
  - Boolean processor
  - Fully static operation
  - Low voltage (2.7 V to 5.5 V at 16 MHz) operation
- 12-clock operation with selectable 6-clock operation
- Memory addressing capability
  - 64 kbytes ROM and 64 kbytes RAM
- Power control modes:
  - Clock can be stopped and resumed
  - Idle mode
  - Power-down mode
- CMOS and TTL compatible
- Two speed ranges at  $V_{CC} = 5 V$ 
  - 0 to 30 MHz with 6-clock operation
  - 0 to 33 MHz with 12-clock operation
- PLCC or DIP package (LQFP available soon)
- Extended temperature ranges
- Dual Data Pointers
- Security bits:
  - ROM (2 bits)
  - OTP (3 bits)
- Encryption array - 64 bytes
- 4 interrupt priority levels
- 6 interrupt sources
- Four 8-bit I/O ports
- Full-duplex enhanced UART
  - Framing error detection
  - Automatic address recognition
- Three 16-bit timers/counters T0, T1 (standard 80C51) and additional T2 (capture and compare)
- Programmable clock-out
- Asynchronous port reset
- Low EMI (inhibit ALE, slew rate controlled outputs, and 6-clock mode)
- Wake-up from Power Down by an external interrupt.

80C51 8-bit microcontroller family  
4K/8K/16K/32K ROM/OTP, low voltage (2.7 to 5.5 V),  
low power, high speed (30/33 MHz)

80C3xX2; 80C5xX2;  
87C5xX2

### 80C31/32X2 ORDERING INFORMATION (ROMLESS)

Type number	Package			Temperature Range (°C)
	Name	Description	Version	
P80C31X2BA	PLCC44	plastic leaded chip carrier; 44 leads	SOT187-2	0 to +70
P80C31X2BN	DIP40	plastic dual in-line package; 40 leads (600 mil)	SOT129-1	0 to +70
P80C32X2BA	PLCC44	plastic leaded chip carrier; 44 leads	SOT187-2	0 to +70
P80C32X2BN	DIP40	plastic dual in-line package; 40 leads (600 mil)	SOT129-1	0 to +70
P80C32X2FA	PLCC44	plastic leaded chip carrier; 44 leads	SOT187-2	-40 to +85
P80C32X2FN	DIP40	plastic dual in-line package; 40 leads (600 mil)	SOT129-1	-40 to +85

### 87C51X2 ORDERING INFORMATION (4 KBYTE OTP ROM)

Type number	Package			Temperature Range (°C)
	Name	Description	Version	
P87C51X2BA	PLCC44	plastic leaded chip carrier; 44 leads	SOT187-2	0 to +70
P87C51X2BN	DIP40	plastic dual in-line package; 40 leads (600 mil)	SOT129-1	0 to +70
P87C51X2FA	PLCC44	plastic leaded chip carrier; 44 leads	SOT187-2	-40 to +85

### 87C52X2 ORDERING INFORMATION (8 KBYTE OTP ROM)

Type number	Package			Temperature Range (°C)
	Name	Description	Version	
P87C52X2BA	PLCC44	plastic leaded chip carrier; 44 leads	SOT187-2	0 to +70
P87C52X2BN	DIP40	plastic dual in-line package; 40 leads (600 mil)	SOT129-1	0 to +70
P87C52X2FA	PLCC44	plastic leaded chip carrier; 44 leads	SOT187-2	-40 to +85
P87C52X2FN	DIP40	plastic dual in-line package; 40 leads (600 mil)	SOT129-1	-40 to +85

### 80C54X2 ORDERING INFORMATION (16 KBYTE ROM)

Type number	Package			Temperature Range (°C)
	Name	Description	Version	
P80C54X2BA	PLCC44	plastic lead chip carrier; 44 leads	SOT187-2	0 to +70
P80C54X2FA	PLCC44	plastic lead chip carrier; 44 leads	SOT187-2	-40 to +85

### 87C54X2 ORDERING INFORMATION (16 KBYTE OTP)

Type number	Package			Temperature Range (°C)
	Name	Description	Version	
P87C54X2BA	PLCC44	plastic lead chip carrier; 44 leads	SOT187-2	0 to +70
P87C54X2BN	DIP40	plastic dual in-line package; 40 leads (600 mil)	SOT129-1	0 to +70
P87C54X2FA	PLCC44	plastic lead chip carrier; 44 leads	SOT187-2	-40 to +85

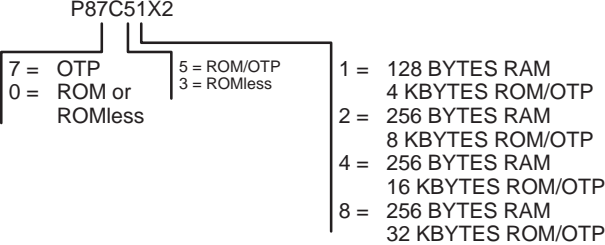
### 87C58X2 ORDERING INFORMATION (32 KBYTE OTP)

Type number	Package			Temperature Range (°C)
	Name	Description	Version	
P87C58X2BA	PLCC44	plastic lead chip carrier; 44 leads	SOT187-2	0 to +70
P87C58X2BN	DIP40	plastic dual in-line package; 40 leads (600 mil)	SOT129-1	0 to +70
P87C58X2FA	PLCC44	plastic lead chip carrier; 44 leads	SOT187-2	-40 to +85

80C51 8-bit microcontroller family  
 4K/8K/16K/32K ROM/OTP, low voltage (2.7 to 5.5 V),  
 low power, high speed (30/33 MHz)

80C3xX2; 80C5xX2;  
 87C5xX2

**PART NUMBER DERIVATION**

Memory	Temperature Range	Package
<p>P87C51X2</p>  <p>7 = OTP              0 = ROM or ROMless</p> <p>5 = ROM/OTP              3 = ROMless</p> <p>1 = 128 BYTES RAM              4 KBYTES ROM/OTP</p> <p>2 = 256 BYTES RAM              8 KBYTES ROM/OTP</p> <p>4 = 256 BYTES RAM              16 KBYTES ROM/OTP</p> <p>8 = 256 BYTES RAM              32 KBYTES ROM/OTP</p>	<p>B = 0 °C TO +70 °C              F = -40 °C TO +85 °C</p>	<p>A = PLCC              N = DIP</p>

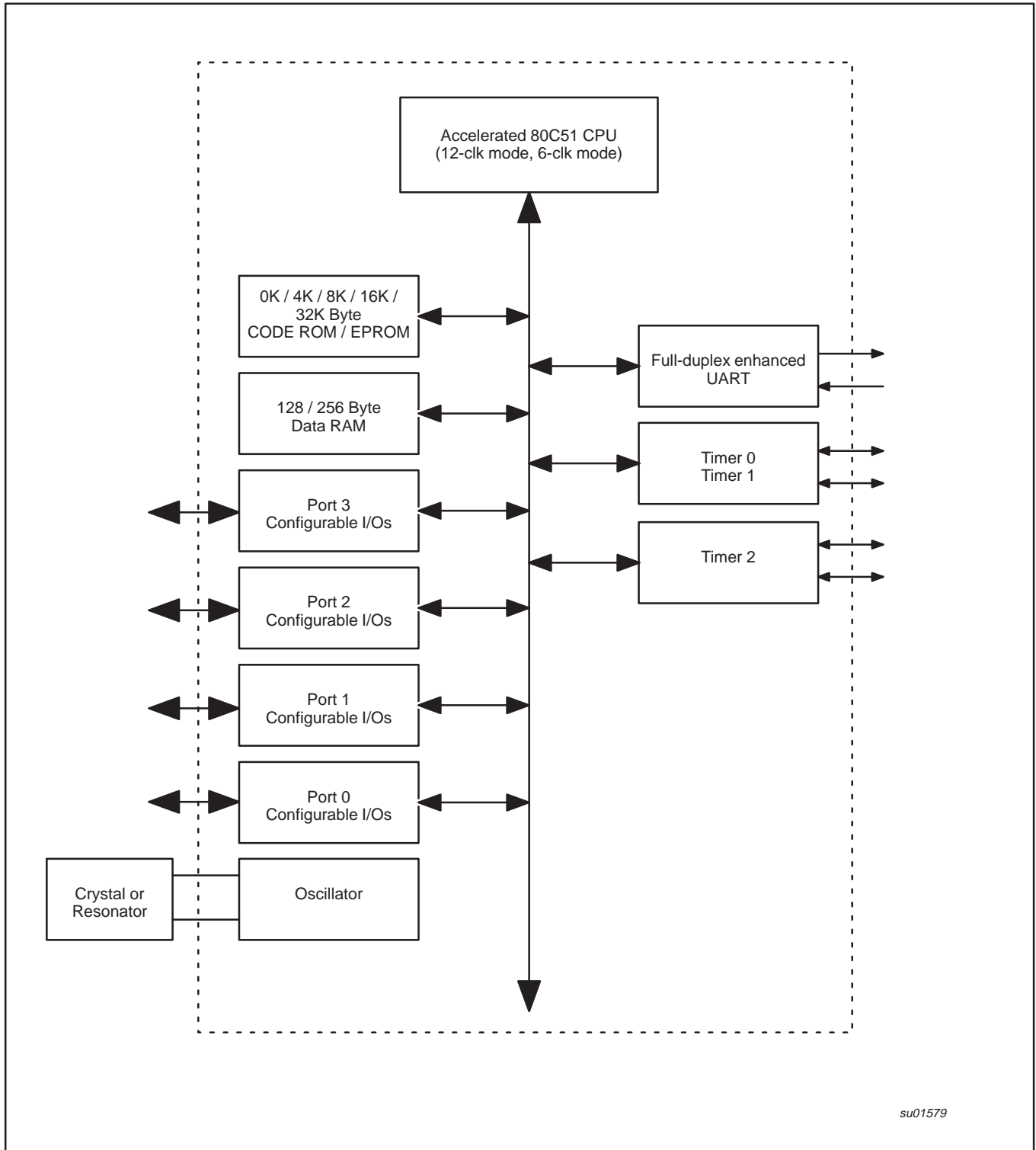
The following table illustrates the correlation between operating mode, power supply and maximum external clock frequency:

Operating Mode	Power Supply	Maximum Clock Frequency
6-clock	5 V ± 10%	30 MHz
6-clock	2.7 V to 5.5 V	16 MHz
12-clock	5 V ± 10%	33 MHz
12-clock	2.7 V to 5.5 V	16 MHz

80C51 8-bit microcontroller family  
4K/8K/16K/32K ROM/OTP, low voltage (2.7 to 5.5 V),  
low power, high speed (30/33 MHz)

80C3xX2; 80C5xX2;  
87C5xX2

**BLOCK DIAGRAM 1**

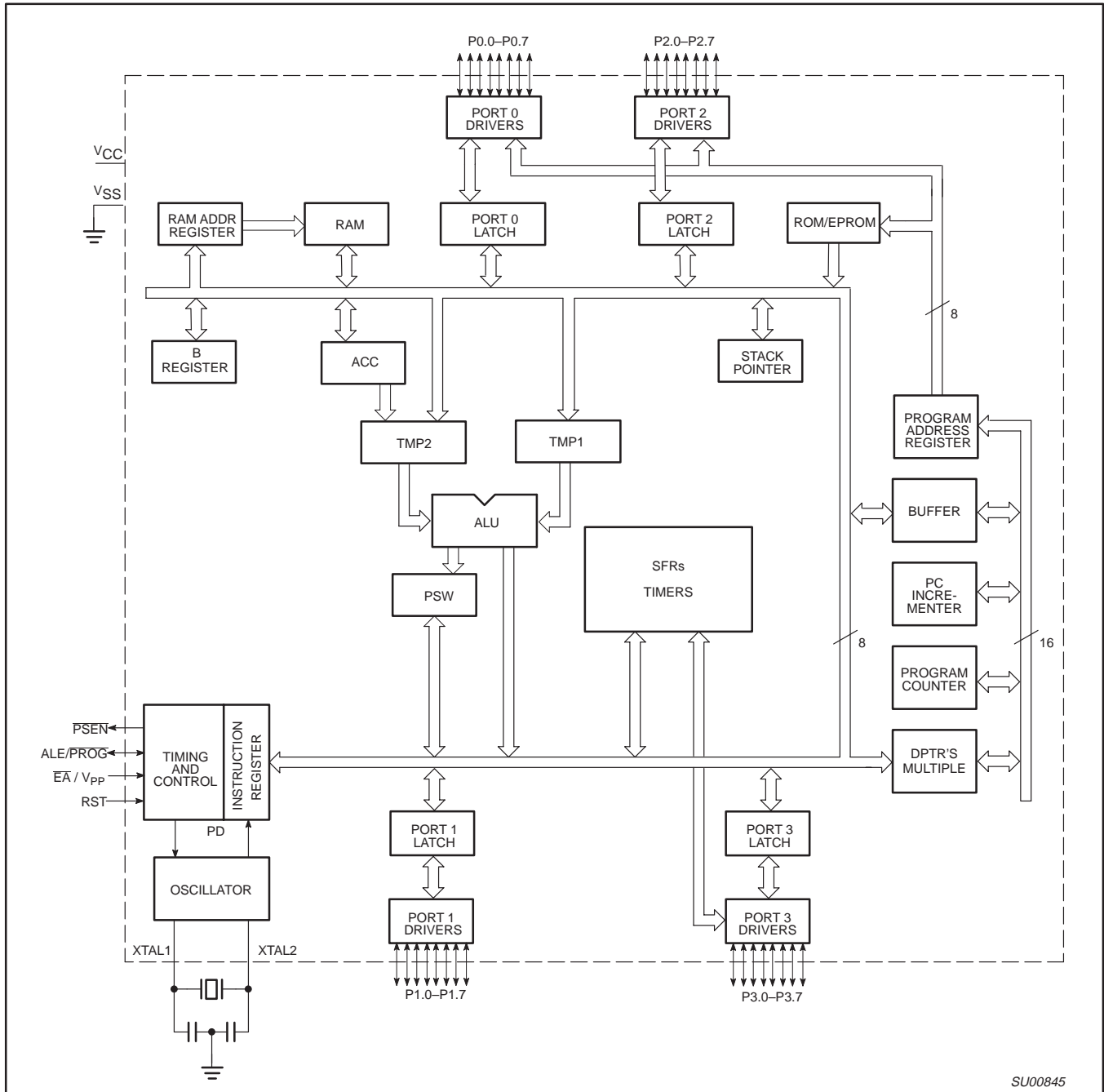


su01579

80C51 8-bit microcontroller family  
4K/8K/16K/32K ROM/OTP, low voltage (2.7 to 5.5 V),  
low power, high speed (30/33 MHz)

80C3xX2; 80C5xX2;  
87C5xX2

**BLOCK DIAGRAM 2 (CPU-ORIENTED)**

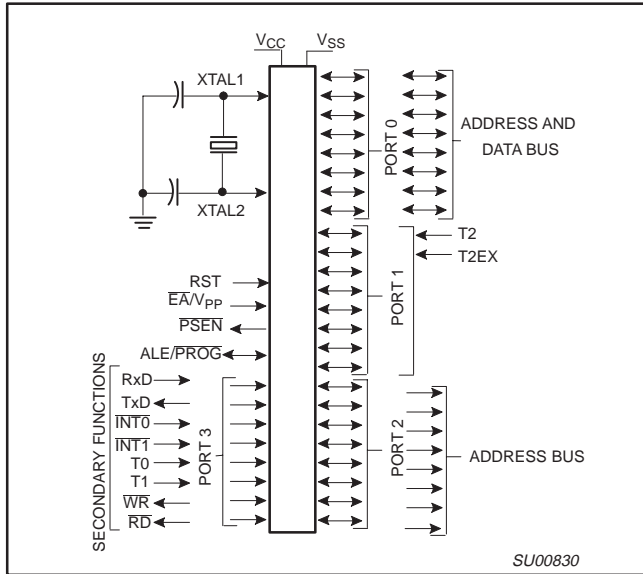


SU00845

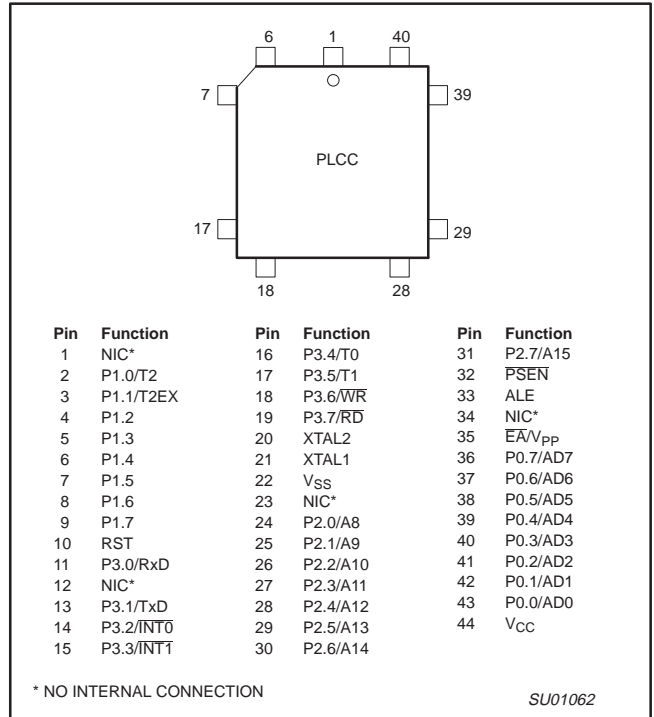
80C51 8-bit microcontroller family  
 4K/8K/16K/32K ROM/OTP, low voltage (2.7 to 5.5 V),  
 low power, high speed (30/33 MHz)

80C3xX2; 80C5xX2;  
 87C5xX2

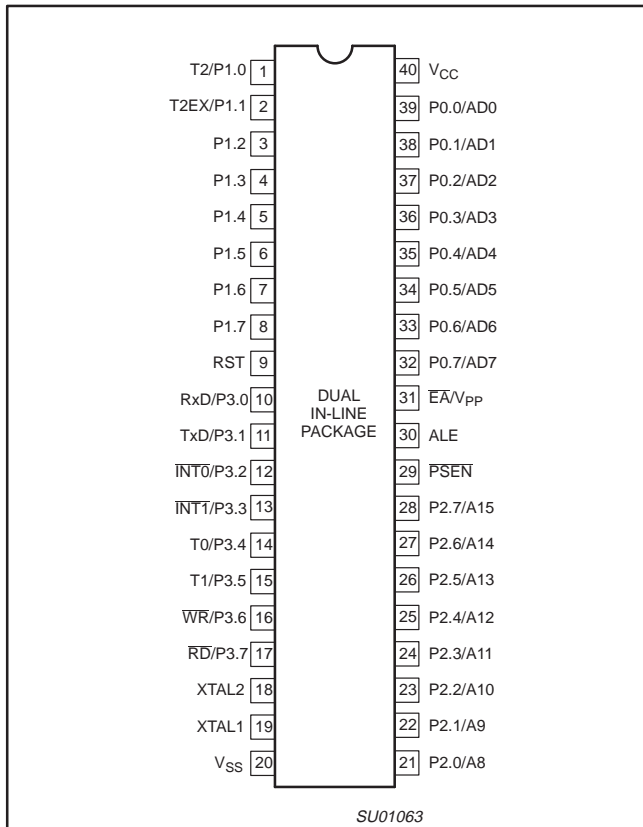
**LOGIC SYMBOL**



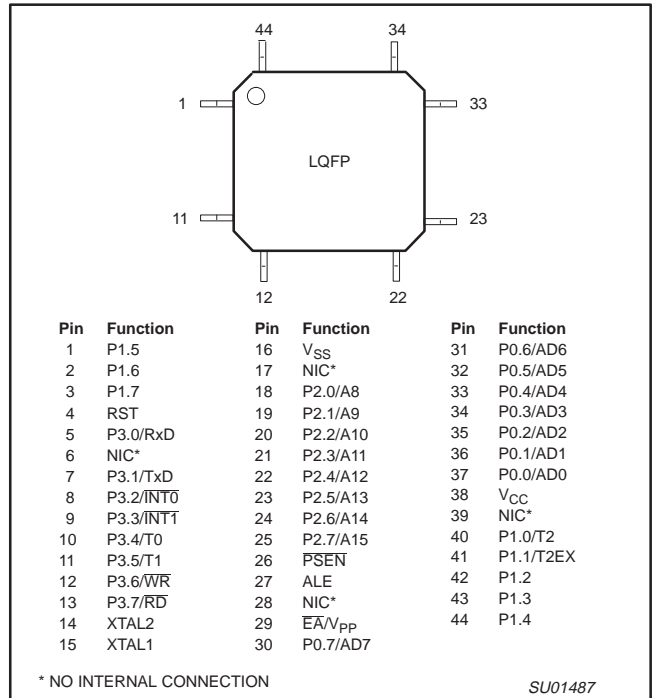
**PLASTIC LEADED CHIP CARRIER PIN FUNCTIONS**



**PLASTIC DUAL IN-LINE PACKAGE PIN CONFIGURATIONS**



**LOW PROFILE QUAD FLAT PACK PIN FUNCTIONS (AVAILABLE SOON)**





80C51 8-bit microcontroller family  
4K/8K/16K/32K ROM/OTP, low voltage (2.7 to 5.5 V),  
low power, high speed (30/33 MHz)

80C3xX2; 80C5xX2;  
87C5xX2

## PIN DESCRIPTIONS

MNEMONIC	PIN NUMBER			TYPE	NAME AND FUNCTION
	DIP	PLCC	LQFP		
V <sub>SS</sub>	20	22	16	I	<b>Ground:</b> 0 V reference.
V <sub>CC</sub>	40	44	38	I	<b>Power Supply:</b> This is the power supply voltage for normal, idle, and power-down operation.
P0.0-0.7	39-32	43-36	37-30	I/O	<b>Port 0:</b> Port 0 is an open-drain, bidirectional I/O port. Port 0 pins that have 1s written to them float and can be used as high-impedance inputs. Port 0 is also the multiplexed low-order address and data bus during accesses to external program and data memory. In this application, it uses strong internal pull-ups when emitting 1s. Port 0 also outputs the code bytes during program verification and received code bytes during EPROM programming. External pull-ups are required during program verification.
P1.0-P1.7	1-8	2-9	40-44, 1-3	I/O	<b>Port 1:</b> Port 1 is an 8-bit bidirectional I/O port with internal pull-ups. Port 1 pins that have 1s written to them are pulled high by the internal pull-ups and can be used as inputs. As inputs, port 1 pins that are externally pulled low will source current because of the internal pull-ups. (See DC Electrical Characteristics: I <sub>IL</sub> ). Port 1 also receives the low-order address byte during program memory verification. Alternate functions for Port 1 include: <b>T2 (P1.0):</b> Timer/Counter 2 external count input/clockout (see Programmable Clock-Out) <b>T2EX (P1.1):</b> Timer/Counter 2 Reload/Capture/Direction control
P2.0-P2.7	1 2 21-28	2 3 24-31	40 41 18-25	I/O	<b>Port 2:</b> Port 2 is an 8-bit bidirectional I/O port with internal pull-ups. Port 2 pins that have 1s written to them are pulled high by the internal pull-ups and can be used as inputs. As inputs, port 2 pins that are externally being pulled low will source current because of the internal pull-ups. (See DC Electrical Characteristics: I <sub>IL</sub> ). Port 2 emits the high-order address byte during fetches from external program memory and during accesses to external data memory that use 16-bit addresses (MOVX @DPTR). In this application, it uses strong internal pull-ups when emitting 1s. During accesses to external data memory that use 8-bit addresses (MOV @Ri), port 2 emits the contents of the P2 special function register. Some Port 2 pins receive the high order address bits during EPROM programming and verification.
P3.0-P3.7	10-17	11, 13-19	5, 7-13	I/O	<b>Port 3:</b> Port 3 is an 8-bit bidirectional I/O port with internal pull-ups. Port 3 pins that have 1s written to them are pulled high by the internal pull-ups and can be used as inputs. As inputs, port 3 pins that are externally being pulled low will source current because of the pull-ups. (See DC Electrical Characteristics: I <sub>IL</sub> ). Port 3 also serves the special features of the 80C51 family, as listed below: <b>RxD (P3.0):</b> Serial input port <b>TxD (P3.1):</b> Serial output port <b>INT0 (P3.2):</b> External interrupt <b>INT1 (P3.3):</b> External interrupt <b>T0 (P3.4):</b> Timer 0 external input <b>T1 (P3.5):</b> Timer 1 external input <b>WR (P3.6):</b> External data memory write strobe <b>RD (P3.7):</b> External data memory read strobe
RST	9	10	4	I	<b>Reset:</b> A high on this pin for two machine cycles while the oscillator is running, resets the device. An internal diffused resistor to V <sub>SS</sub> permits a power-on reset using only an external capacitor to V <sub>CC</sub> .
ALE/PROG	30	33	27	O	<b>Address Latch Enable/Program Pulse:</b> Output pulse for latching the low byte of the address during an access to external memory. In normal operation, ALE is emitted at a constant rate of 1/6 (12X Mode) or 1/3 (6X Mode) the oscillator frequency, and can be used for external timing or clocking. Note that one ALE pulse is skipped during each access to external data memory. This pin is also the program pulse input (PROG) during EPROM programming. ALE can be disabled by setting SFR auxiliary.0. With this bit set, ALE will be active only during a MOVX instruction.
PSEN	29	32	26	O	<b>Program Store Enable:</b> The read strobe to external program memory. When the device is executing code from the external program memory, PSEN is activated twice each machine cycle, except that two PSEN activations are skipped during each access to external data memory. PSEN is not activated during fetches from internal program memory.
EA/V <sub>PP</sub>	31	35	29	I	<b>External Access Enable/Programming Supply Voltage:</b> EA must be externally held low to enable the device to fetch code from external program memory locations 0000H to 0FFFH/1FFFH/3FFFH/7FFFH. If EA is held high, the device executes from internal program memory unless the program counter contains an address greater than the on-chip ROM/OTP. This pin also receives the 12.75 V programming supply voltage (V <sub>PP</sub> ) during EPROM programming. If security bit 1 is programmed, EA will be internally latched on Reset.
XTAL1	19	21	15	I	<b>Crystal 1:</b> Input to the inverting oscillator amplifier and input to the internal clock generator circuits.
XTAL2	18	20	14	O	<b>Crystal 2:</b> Output from the inverting oscillator amplifier.

### NOTE:

To avoid "latch-up" effect at power-on, the voltage on any pin at any time must not be higher than V<sub>CC</sub> + 0.5 V or V<sub>SS</sub> - 0.5 V, respectively.

80C51 8-bit microcontroller family  
 4K/8K/16K/32K ROM/OTP, low voltage (2.7 to 5.5 V),  
 low power, high speed (30/33 MHz)

80C3xX2; 80C5xX2;  
 87C5xX2

**Table 1. Special Function Registers**

SYMBOL	DESCRIPTION	DIRECT ADDRESS	BIT ADDRESS, SYMBOL, OR ALTERNATIVE PORT FUNCTION								RESET VALUE
			MSB				LSB				
ACC*	Accumulator	E0H	E7	E6	E5	E4	E3	E2	E1	E0	00H
AUXR#	Auxiliary	8EH	–	–	–	–	–	–	–	AO	xxxxxxx0B
AUXR1#	Auxiliary 1	A2H	–	–	–	LPEP <sup>2</sup>	WUPD	0	–	DPS	xxx000x0B
B*	B register	F0H	F7	F6	F5	F4	F3	F2	F1	F0	00H
CKCON	Clock Control Register	8FH	–	–	–	–	–	–	–	X2	xxx00000B
DPTR:	Data Pointer (2 bytes)										
DPH	Data Pointer High	83H									00H
DPL	Data Pointer Low	82H									00H
			AF	AE	AD	AC	AB	AA	A9	A8	
IE*	Interrupt Enable	A8H	EA	–	ET2	ES	ET1	EX1	ET0	EX0	0x000000B
			BF	BE	BD	BC	BB	BA	B9	B8	
IP*	Interrupt Priority	B8H	–	–	PT2	PS	PT1	PX1	PT0	PX0	xx000000B
IPH#	Interrupt Priority High	B7H	–	–	PT2H	PSH	PT1H	PX1H	PT0H	PX0H	xx000000B
			87	86	85	84	83	82	81	80	
P0*	Port 0	80H	AD7	AD6	AD5	AD4	AD3	AD2	AD1	AD0	FFH
			97	96	95	94	93	92	91	90	
P1*	Port 1	90H	–	–	–	–	–	–	T2EX	T2	FFH
			A7	A6	A5	A4	A3	A2	A1	A0	
P2*	Port 2	A0H	AD15	AD14	AD13	AD12	AD11	AD10	AD9	AD8	FFH
			B7	B6	B5	B4	B3	B2	B1	B0	
P3*	Port 3	B0H	RD	WR	T1	T0	INT1	INT0	TxD	RxD	FFH
PCON# <sup>1</sup>	Power Control	87H	SMOD1	SMOD0	–	POF	GF1	GF0	PD	IDL	00xx0000B
			D7	D6	D5	D4	D3	D2	D1	D0	
PSW*	Program Status Word	D0H	CY	AC	F0	RS1	RS0	OV	–	P	000000x0B
RACAP2H#	Timer 2 Capture High	CBH									00H
RACAP2L#	Timer 2 Capture Low	CAH									00H
SADDR#	Slave Address	A9H									00H
SADEN#	Slave Address Mask	B9H									00H
SBUF	Serial Data Buffer	99H									xxxxxxxxxB
			9F	9E	9D	9C	9B	9A	99	98	
SCON*	Serial Control	98H	SM0/FE	SM1	SM2	REN	TB8	RB8	T1	RI	00H
SP	Stack Pointer	81H									07H
			8F	8E	8D	8C	8B	8A	89	88	
TCON*	Timer Control	88H	TF1	TR1	TF0	TR0	IE1	IT1	IE0	IT0	00H
			CF	CE	CD	CC	CB	CA	C9	C8	
T2CON*	Timer 2 Control	C8H	TF2	EXF2	RCLK	TCLK	EXEN2	TR2	C/T2	CP/RL2	00H
T2MOD#	Timer 2 Mode Control	C9H	–	–	–	–	–	–	T2OE	DCEN	xxxxxx00B
TH0	Timer High 0	8CH									00H
TH1	Timer High 1	8DH									00H
TH2#	Timer High 2	CDH									00H
TL0	Timer Low 0	8AH									00H
TL1	Timer Low 1	8BH									00H
TL2#	Timer Low 2	CCH									00H
TMOD	Timer Mode	89H	GATE	C/T	M1	M0	GATE	C/T	M1	M0	00H

**NOTE:**

Unused register bits that are not defined should not be set by the user's program. If violated, the device could function incorrectly.

\* SFRs are bit addressable.

# SFRs are modified from or added to the 80C51 SFRs.

– Reserved bits.

1. Reset value depends on reset source.

2. LPEP – Low Power EPROM operation (OTP only)

**80C51 8-bit microcontroller family**  
 4K/8K/16K/32K ROM/OTP, low voltage (2.7 to 5.5 V),  
 low power, high speed (30/33 MHz)

**80C3xX2; 80C5xX2;  
 87C5xX2**

**OSCILLATOR CHARACTERISTICS**

XTAL1 and XTAL2 are the input and output, respectively, of an inverting amplifier. The pins can be configured for use as an on-chip oscillator, as shown in the logic symbol.

To drive the device from an external clock source, XTAL1 should be driven while XTAL2 is left unconnected. However, minimum and maximum high and low times specified in the data sheet must be observed.

**Reset**

A reset is accomplished by holding the RST pin HIGH for at least two machine cycles (24 oscillator periods in 12-clock and 12 oscillator periods in 6-clock mode), while the oscillator is running. To insure a reliable power-up reset, the RST pin must be high long enough to allow the oscillator time to start up (normally a few milliseconds) plus two machine cycles. After the reset, the part runs in 12-clock mode.

**Stop Clock Mode**

The static design enables the clock speed to be reduced down to 0 MHz (stopped). When the oscillator is stopped, the RAM and Special Function Registers retain their values. This mode allows step-by-step utilization and permits reduced system power consumption by lowering the clock frequency down to any value. For lowest power consumption the Power Down mode is suggested.

**Idle Mode**

In idle mode (see Table 2), the CPU puts itself to sleep while all of the on-chip peripherals stay active. The instruction to invoke the idle mode is the last instruction executed in the normal operating mode before the idle mode is activated. The CPU contents, the on-chip RAM, and all of the special function registers remain intact during this mode. The idle mode can be terminated either by any enabled interrupt (at which time the process is picked up at the interrupt service routine and continued), or by a hardware reset which starts the processor in the same manner as a power-on reset.

**Power-Down Mode**

To save even more power, a Power Down mode (see Table 2) can be invoked by software. In this mode, the oscillator is stopped and the instruction that invoked Power Down is the last instruction executed. The on-chip RAM and Special Function Registers retain their values down to 2.0 V and care must be taken to return V<sub>CC</sub> to the minimum specified operating voltages before the Power Down Mode is terminated.

Either a hardware reset or external interrupt can be used to exit from Power Down. Reset redefines all the SFRs but does not change the

on-chip RAM. An external interrupt allows both the SFRs and the on-chip RAM to retain their values. WUPD (AUXR1.3–Wakeup from Power Down) enables or disables the wakeup from power down with external interrupt. Where:

- WUPD = 0: Disable
- WUPD = 1: Enable

To properly terminate Power Down, the reset or external interrupt should not be executed before V<sub>CC</sub> is restored to its normal operating level and must be held active long enough for the oscillator to restart and stabilize (normally less than 10 ms).

To terminate Power Down with an external interrupt, INT0 or INT1 must be enabled and configured as level-sensitive. Holding the pin low restarts the oscillator but bringing the pin back high completes the exit. Once the interrupt is serviced, the next instruction to be executed after RETI will be the one following the instruction that put the device into Power Down.

**Low-Power EPROM operation (LPEP)**

The EPROM array contains some analog circuits that are not required when V<sub>CC</sub> is less than 4 V, but are required for a V<sub>CC</sub> greater than 4 V. The LPEP bit (AUXR.4), when set, will powerdown these analog circuits resulting in a reduced supply current. This bit should be set ONLY for applications that operate at a V<sub>CC</sub> less than 4 V.

**Design Consideration**

- When the idle mode is terminated by a hardware reset, the device normally resumes program execution from where it left off, up to two machine cycles before the internal reset algorithm takes control. On-chip hardware inhibits access to internal RAM in this event, but access to the port pins is not inhibited. To eliminate the possibility of an unexpected write when Idle is terminated by reset, the instruction following the one that invokes Idle should not be one that writes to a port pin or to external memory.

**ONCE™ Mode**

The ONCE (“On-Circuit Emulation”) Mode facilitates testing and debugging of systems without the device having to be removed from the circuit. The ONCE Mode is invoked in the following way:

1. Pull ALE low while the device is in reset and PSEN is high;
2. Hold ALE low as RST is deactivated.

While the device is in ONCE Mode, the Port 0 pins go into a float state, and the other port pins and ALE and PSEN are weakly pulled high. The oscillator circuit remains active. While the device is in this mode, an emulator or test CPU can be used to drive the circuit. Normal operation is restored when a normal reset is applied.

**Table 2. External Pin Status During Idle and Power-Down Modes**

MODE	PROGRAM MEMORY	ALE	PSEN	PORT 0	PORT 1	PORT 2	PORT 3
Idle	Internal	1	1	Data	Data	Data	Data
Idle	External	1	1	Float	Data	Address	Data
Power-down	Internal	0	0	Data	Data	Data	Data
Power-down	External	0	0	Float	Data	Data	Data

80C51 8-bit microcontroller family  
4K/8K/16K/32K ROM/OTP, low voltage (2.7 to 5.5 V),  
low power, high speed (30/33 MHz)

80C3xX2; 80C5xX2;  
87C5xX2

### Clock Control Register (CKCON)

This device provides control of the 6-clock/12-clock mode by an SFR bit (bit X2 in register CKCON). When this bit is set to 0, 12-clock mode is activated. By setting this bit to 1, the system is switching to 6-clock mode. Having this option implemented as SFR bit, it can be accessed anytime and changed to either value. An important thing to have in mind is that changing X2 from 0 to 1 will result in executing user code at twice the speed, since all system time intervals will be divided by 2. Changing from 6-clock to 12-clock mode will slow down running code by a factor of 2.

### Programmable Clock-Out

A 50% duty cycle clock can be programmed to be output on P1.0. This pin, besides being a regular I/O pin, has two alternate functions. It can be programmed:

1. to input the external clock for Timer/Counter 2, or
2. to output a 50% duty cycle clock ranging from 61 Hz to 4 MHz at a 16 MHz operating frequency.

To configure the Timer/Counter 2 as a clock generator, bit C/T2 (in T2CON) must be cleared and bit T20E in T2MOD must be set. Bit TR2 (T2CON.2) also must be set to start the timer.

The Clock-Out frequency depends on the oscillator frequency and the reload value of Timer 2 capture registers (RCAP2H, RCAP2L) as shown in this equation:

$$\frac{\text{Oscillator Frequency}}{4 \times (65536 - \text{RCAP2H, RCAP2L})}$$

Where:

(RCAP2H, RCAP2L) = the content of RCAP2H and RCAP2L taken as a 16-bit unsigned integer.

In the Clock-Out mode Timer 2 roll-overs will not generate an interrupt. This is similar to when it is used as a baud-rate generator. It is possible to use Timer 2 as a baud-rate generator and a clock generator simultaneously. Note, however, that the baud-rate and the Clock-Out frequency will be the same.

## TIMER 0 AND TIMER 1 OPERATION

### Timer 0 and Timer 1

The "Timer" or "Counter" function is selected by control bits C/T in the Special Function Register TMOD. These two Timer/Counters have four operating modes, which are selected by bit-pairs (M1, M0) in TMOD. Modes 0, 1, and 2 are the same for both Timers/Counters. Mode 3 is different. The four operating modes are described in the following text.

### Mode 0

Putting either Timer into Mode 0 makes it look like an 8048 Timer, which is an 8-bit Counter with a divide-by-32 prescaler. Figure 2 shows the Mode 0 operation.

In this mode, the Timer register is configured as a 13-bit register. As the count rolls over from all 1s to all 0s, it sets the Timer interrupt flag TF<sub>n</sub>. The counted input is enabled to the Timer when TR<sub>n</sub> = 1 and either GATE = 0 or  $\overline{\text{INTn}} = 1$ . (Setting GATE = 1 allows the Timer to be controlled by external input  $\overline{\text{INTn}}$ , to facilitate pulse width measurements). TR<sub>n</sub> is a control bit in the Special Function Register TCON (Figure 3).

The 13-bit register consists of all 8 bits of TH<sub>n</sub> and the lower 5 bits of TL<sub>n</sub>. The upper 3 bits of TL<sub>n</sub> are indeterminate and should be ignored. Setting the run flag (TR<sub>n</sub>) does not clear the registers.

Mode 0 operation is the same for Timer 0 as for Timer 1. There are two different GATE bits, one for Timer 1 (TMOD.7) and one for Timer 0 (TMOD.3).

### Mode 1

Mode 1 is the same as Mode 0, except that the Timer register is being run with all 16 bits.

### Mode 2

Mode 2 configures the Timer register as an 8-bit Counter (TL<sub>n</sub>) with automatic reload, as shown in Figure 4. Overflow from TL<sub>n</sub> not only sets TF<sub>n</sub>, but also reloads TL<sub>n</sub> with the contents of TH<sub>n</sub>, which is preset by software. The reload leaves TH<sub>n</sub> unchanged.

Mode 2 operation is the same for Timer 0 as for Timer 1.

### Mode 3

Timer 1 in Mode 3 simply holds its count. The effect is the same as setting TR1 = 0.

Timer 0 in Mode 3 establishes TL0 and TH0 as two separate counters. The logic for Mode 3 on Timer 0 is shown in Figure 5. TL0 uses the Timer 0 control bits: C/T, GATE, TR0, and TF0 as well as pin  $\overline{\text{INT0}}$ . TH0 is locked into a timer function (counting machine cycles) and takes over the use of TR1 and TF1 from Timer 1. Thus, TH0 now controls the "Timer 1" interrupt.

Mode 3 is provided for applications requiring an extra 8-bit timer on the counter. With Timer 0 in Mode 3, an 80C51 can look like it has three Timer/Counters. When Timer 0 is in Mode 3, Timer 1 can be turned on and off by switching it out of and into its own Mode 3, or can still be used by the serial port as a baud rate generator, or in fact, in any application not requiring an interrupt.

80C51 8-bit microcontroller family  
 4K/8K/16K/32K ROM/OTP, low voltage (2.7 to 5.5 V),  
 low power, high speed (30/33 MHz)

80C3xX2; 80C5xX2;  
 87C5xX2

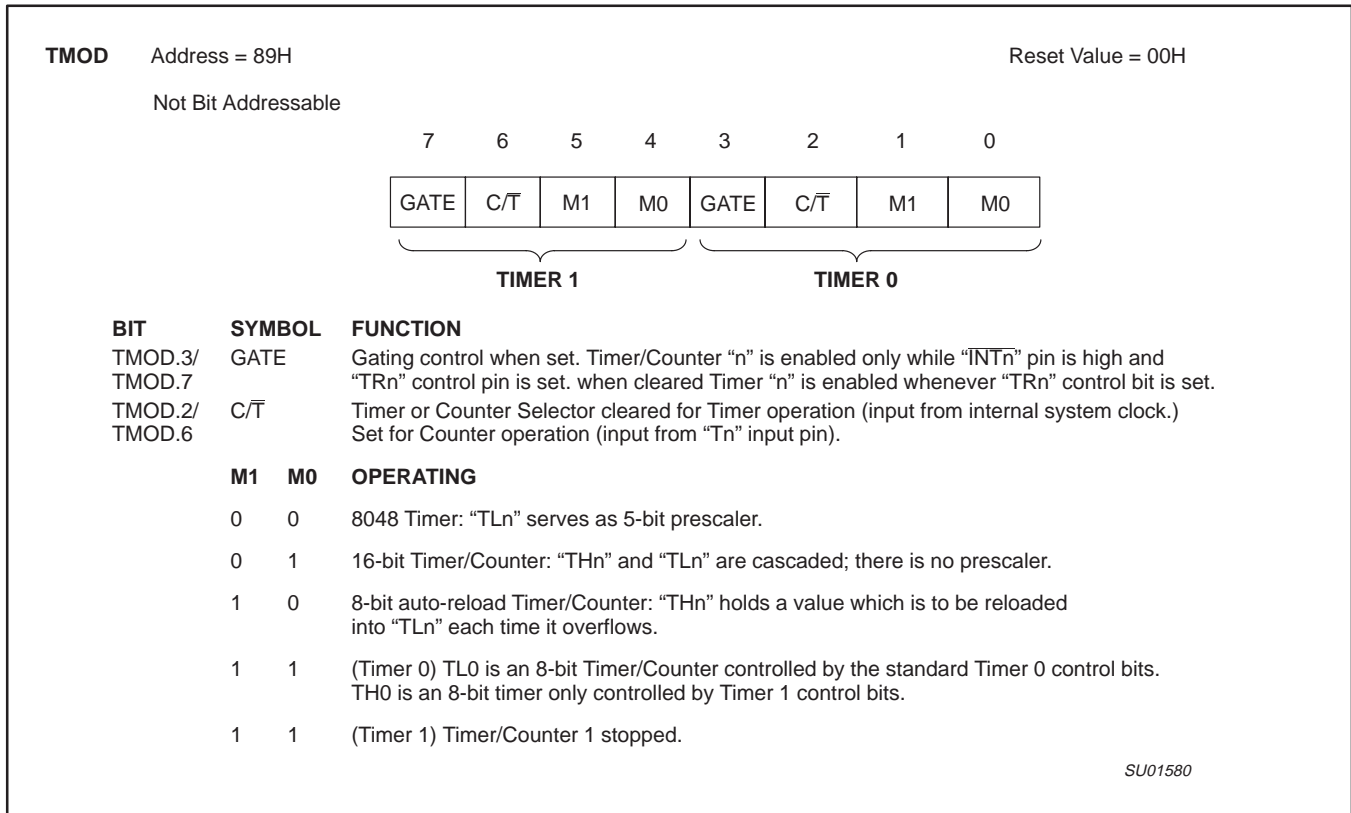


Figure 1. Timer/Counter 0/1 Mode Control (TMOD) Register

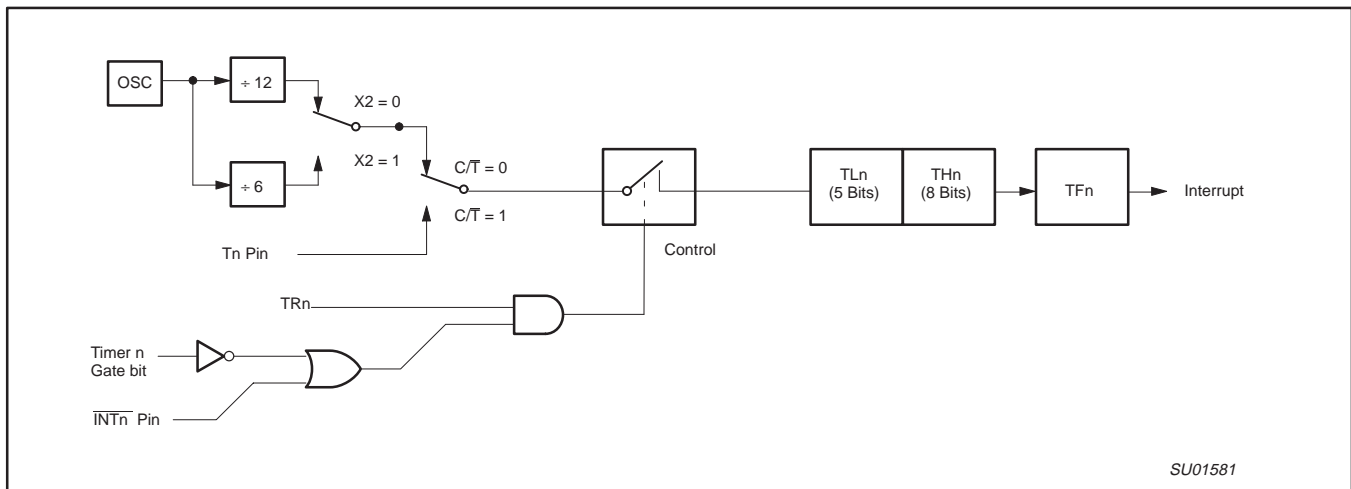


Figure 2. Timer/Counter 0/1 Mode 0: 13-Bit Timer/Counter

80C51 8-bit microcontroller family  
 4K/8K/16K/32K ROM/OTP, low voltage (2.7 to 5.5 V),  
 low power, high speed (30/33 MHz)

80C3xX2; 80C5xX2;  
 87C5xX2

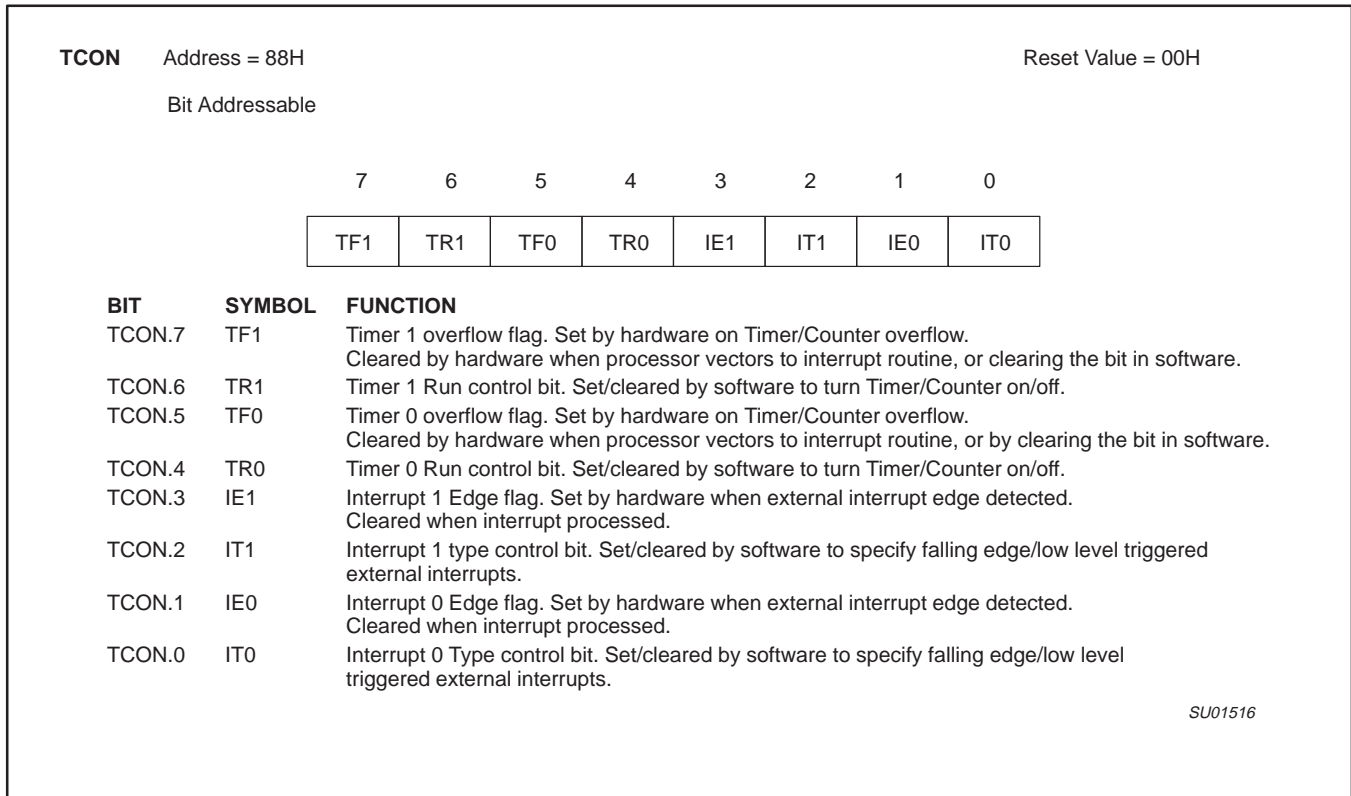


Figure 3. Timer/Counter 0/1 Control (TCON) Register

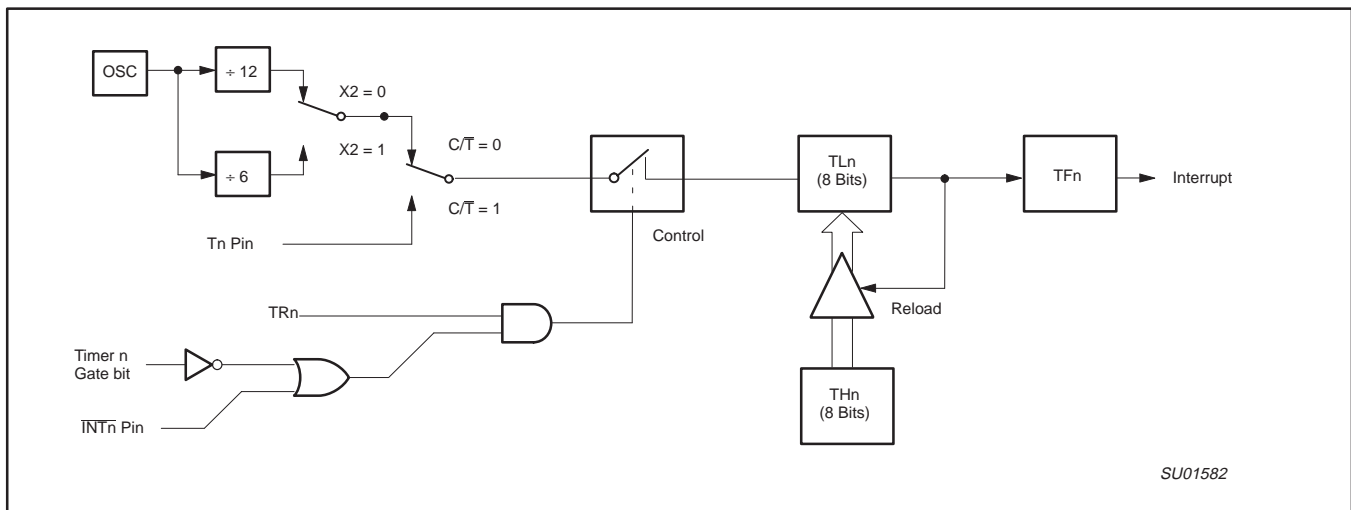


Figure 4. Timer/Counter 0/1 Mode 2: 8-Bit Auto-Reload



80C51 8-bit microcontroller family  
 4K/8K/16K/32K ROM/OTP, low voltage (2.7 to 5.5 V),  
 low power, high speed (30/33 MHz)

80C3xX2; 80C5xX2;  
 87C5xX2

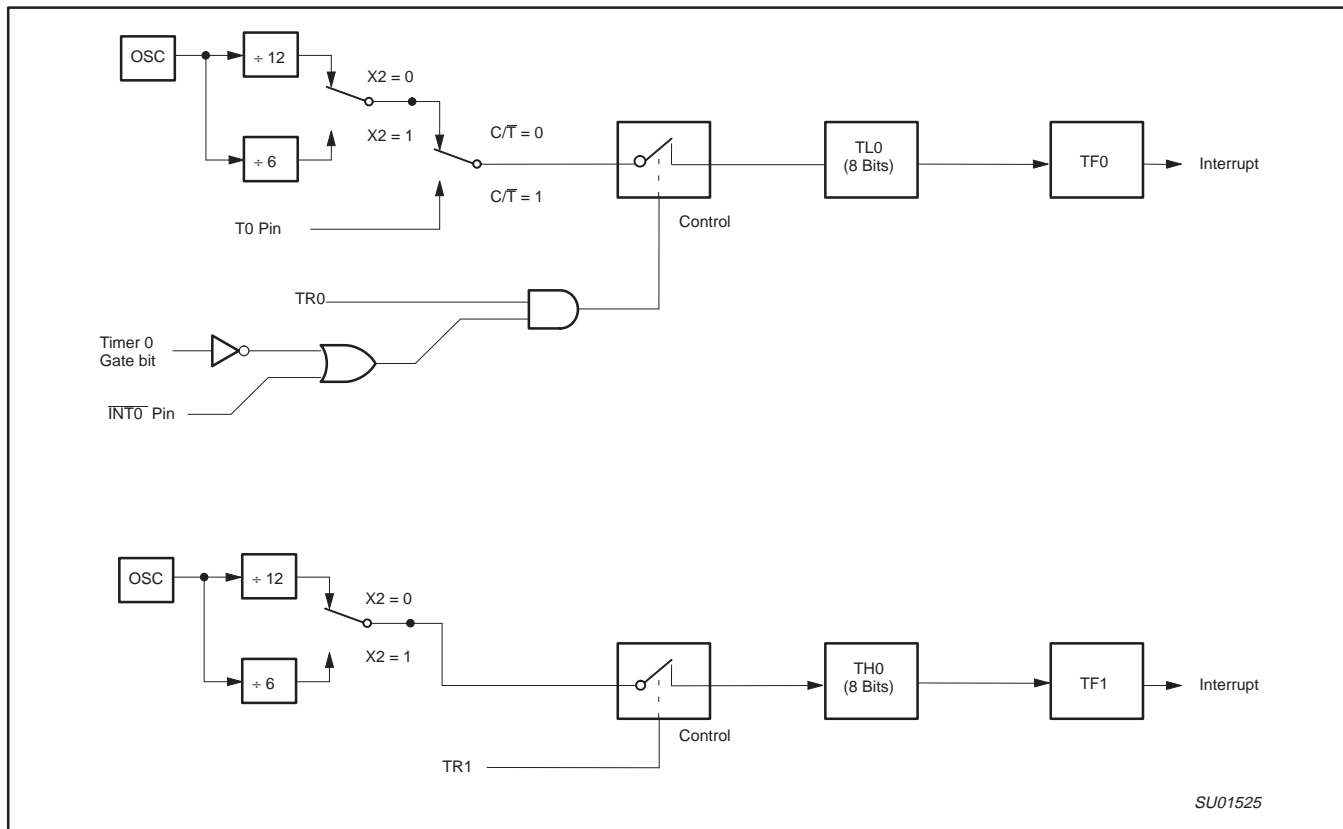


Figure 5. Timer/Counter 0 Mode 3: Two 8-Bit Counters

**TIMER 2 OPERATION**

**Timer 2**

Timer 2 is a 16-bit Timer/Counter which can operate as either an event timer or an event counter, as selected by C/T2 in the special function register T2CON (see Figure 6). Timer 2 has three operating modes: Capture, Auto-reload (up or down counting), and Baud Rate Generator, which are selected by bits in the T2CON as shown in Table 3.

**Capture Mode**

In the capture mode there are two options which are selected by bit EXEN2 in T2CON. If EXEN2=0, then timer 2 is a 16-bit timer or counter (as selected by C/T2 in T2CON) which, upon overflowing, sets bit TF2, the timer 2 overflow bit. This bit can be used to generate an interrupt (by enabling the Timer 2 interrupt bit in the IE register). If EXEN2=1, Timer 2 operates as described above, but with the added feature that a 1-to-0 transition at external input T2EX causes the current value in the Timer 2 registers, TL2 and TH2, to be captured into registers RCAP2L and RCAP2H, respectively. In addition, the transition at T2EX causes bit EXF2 in T2CON to be set, and EXF2 (like TF2) can generate an interrupt (which vectors to the same location as Timer 2 overflow interrupt). The Timer 2 interrupt service routine can interrogate TF2 and EXF2 to determine which event caused the interrupt). The capture mode is illustrated in Figure 7 (There is no reload value for TL2 and TH2 in this mode. Even when a capture event occurs from T2EX, the counter keeps on counting T2EX pin transitions or osc/12 (12-clock Mode) or osc/6 (6-clock Mode) pulses).

**Auto-Reload Mode (Up or Down Counter)**

In the 16-bit auto-reload mode, Timer 2 can be configured as either a timer or counter (C/T2 in T2CON), then programmed to count up or down. The counting direction is determined by bit DCEN (Down Counter Enable) which is located in the T2MOD register (see Figure 8). After reset, DCEN=0 which means Timer 2 will default to counting up. If DCEN is set, Timer 2 can count up or down depending on the value of the T2EX pin.

Figure 9 shows Timer 2 which will count up automatically since DCEN=0. In this mode there are two options selected by bit EXEN2 in T2CON register. If EXEN2=0, then Timer 2 counts up to 0FFFFH and sets the TF2 (Overflow Flag) bit upon overflow. This causes the Timer 2 registers to be reloaded with the 16-bit value in RCAP2L and RCAP2H. The values in RCAP2L and RCAP2H are preset by software.

If EXEN2=1, then a 16-bit reload can be triggered either by an overflow or by a 1-to-0 transition at input T2EX. This transition also sets the EXF2 bit. The Timer 2 interrupt, if enabled, can be generated when either TF2 or EXF2 are 1.

In Figure 10 DCEN=1 which enables Timer 2 to count up or down. This mode allows pin T2EX to control the direction of count. When a logic 1 is applied at pin T2EX, Timer 2 will count up. Timer 2 will overflow at 0FFFFH and set the TF2 flag, which can then generate an interrupt, if the interrupt is enabled. This timer overflow also causes the 16-bit value in RCAP2L and RCAP2H to be reloaded into the timer registers TL2 and TH2.

80C51 8-bit microcontroller family  
 4K/8K/16K/32K ROM/OTP, low voltage (2.7 to 5.5 V),  
 low power, high speed (30/33 MHz)

80C3xX2; 80C5xX2;  
 87C5xX2

A logic 0 applied to pin T2EX causes Timer 2 to count down. The timer will underflow when TL2 and TH2 become equal to the value stored in RCAP2L and RCAP2H. A Timer 2 underflow sets the TF2 flag and causes 0FFFFH to be reloaded into the timer registers TL2 and TH2.

The external flag EXF2 toggles when Timer 2 underflows or overflows. This EXF2 bit can be used as a 17th bit of resolution if needed. The EXF2 flag does not generate an interrupt in this mode of operation.

**Table 3. Timer 2 Operating Modes**

RCLK + TCLK	CP/RL2	TR2	MODE
0	0	1	16-bit Auto-reload
0	1	1	16-bit Capture
1	X	1	Baud rate generator
X	X	0	(off)

**T2CON**    Address = C8H    Reset Value = 00H  
 Bit Addressable

7	6	5	4	3	2	1	0
TF2	EXF2	RCLK	TCLK	EXEN2	TR2	C/T2	CP/RL2

Symbol	Position	Name and Significance
TF2	T2CON.7	Timer 2 overflow flag set by a Timer 2 overflow and must be cleared by software. TF2 will not be set when either RCLK or TCLK = 1.
EXF2	T2CON.6	Timer 2 external flag set when either a capture or reload is caused by a negative transition on T2EX and EXEN2 = 1. When Timer 2 interrupt is enabled, EXF2 = 1 will cause the CPU to vector to the Timer 2 interrupt routine. EXF2 must be cleared by software. EXF2 does not cause an interrupt in up/down counter mode (DCEN = 1).
RCLK	T2CON.5	Receive clock flag. When set, causes the serial port to use Timer 2 overflow pulses for its receive clock in modes 1 and 3. RCLK = 0 causes Timer 1 overflow to be used for the receive clock.
TCLK	T2CON.4	Transmit clock flag. When set, causes the serial port to use Timer 2 overflow pulses for its transmit clock in modes 1 and 3. TCLK = 0 causes Timer 1 overflows to be used for the transmit clock.
EXEN2	T2CON.3	Timer 2 external enable flag. When set, allows a capture or reload to occur as a result of a negative transition on T2EX if Timer 2 is not being used to clock the serial port. EXEN2 = 0 causes Timer 2 to ignore events at T2EX.
TR2	T2CON.2	Start/stop control for Timer 2. A logic 1 starts the timer.
C/T2	T2CON.1	Timer or counter select. (Timer 2) 0 = Internal timer (OSC/12 or OSC/6, depending on mode) 1 = External event counter (falling edge triggered).
CP/RL2	T2CON.0	Capture/Reload flag. When set, captures will occur on negative transitions at T2EX if EXEN2 = 1. When cleared, auto-reloads will occur either with Timer 2 overflows or negative transitions at T2EX when EXEN2 = 1. When either RCLK = 1 or TCLK = 1, this bit is ignored and the timer is forced to auto-reload on Timer 2 overflow.

SU01518

**Figure 6. Timer/Counter 2 (T2CON) Control Register**



80C51 8-bit microcontroller family  
 4K/8K/16K/32K ROM/OTP, low voltage (2.7 to 5.5 V),  
 low power, high speed (30/33 MHz)

80C3xX2; 80C5xX2;  
 87C5xX2

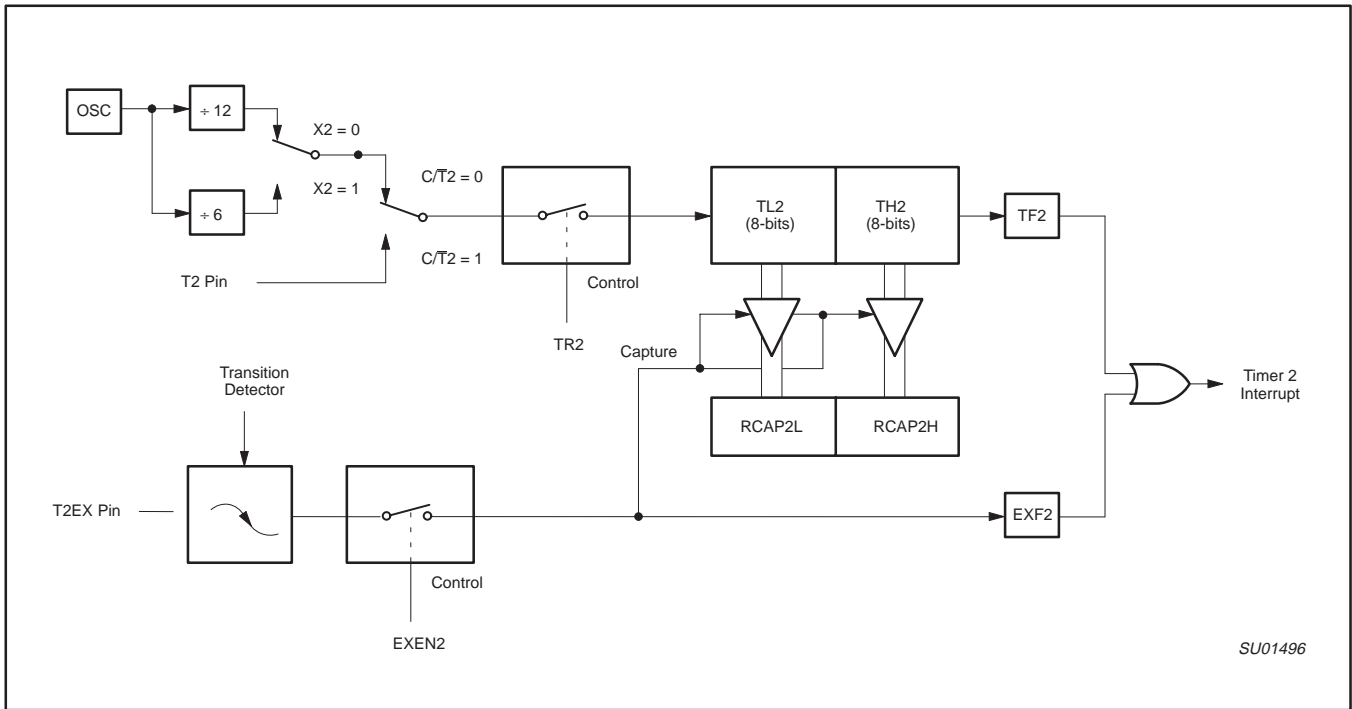


Figure 7. Timer 2 in Capture Mode

**T2MOD** Address = 0C9H Reset Value = XXXX XX00B  
 Not Bit Addressable

7	6	5	4	3	2	1	0
—	—	—	—	—	—	T2OE	DCEN

Symbol	Position	Function
—		Not implemented, reserved for future use.*
T2OE	T2MOD.1	Timer 2 Output Enable bit.
DCEN	T2MOD.0	Down Count Enable bit. When set, this allows Timer 2 to be configured as an up/down counter.

\* User software should not write 1s to reserved bits. These bits may be used in future 8051 family products to invoke new features. In that case, the reset or inactive value of the new bit will be 0, and its active value will be 1. The value read from a reserved bit is indeterminate.

Figure 8. Timer 2 Mode (T2MOD) Control Register

80C51 8-bit microcontroller family  
 4K/8K/16K/32K ROM/OTP, low voltage (2.7 to 5.5 V),  
 low power, high speed (30/33 MHz)

80C3xX2; 80C5xX2;  
 87C5xX2

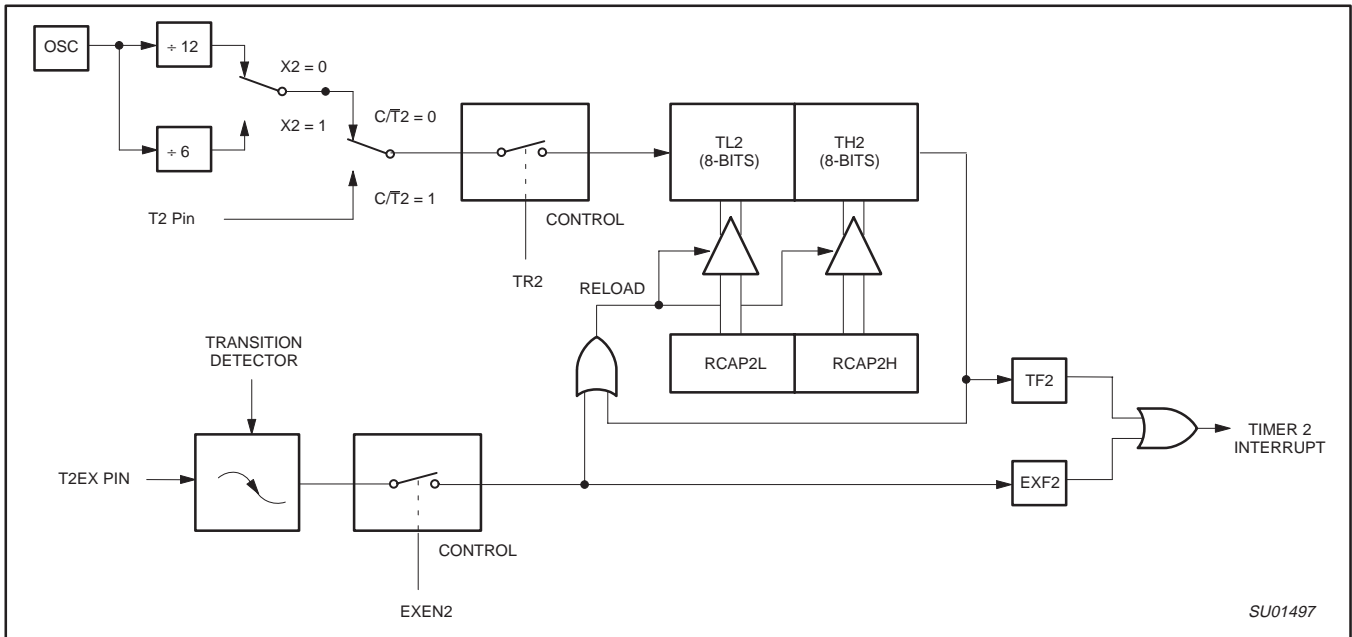


Figure 9. Timer 2 in Auto-Reload Mode (DCEN = 0)

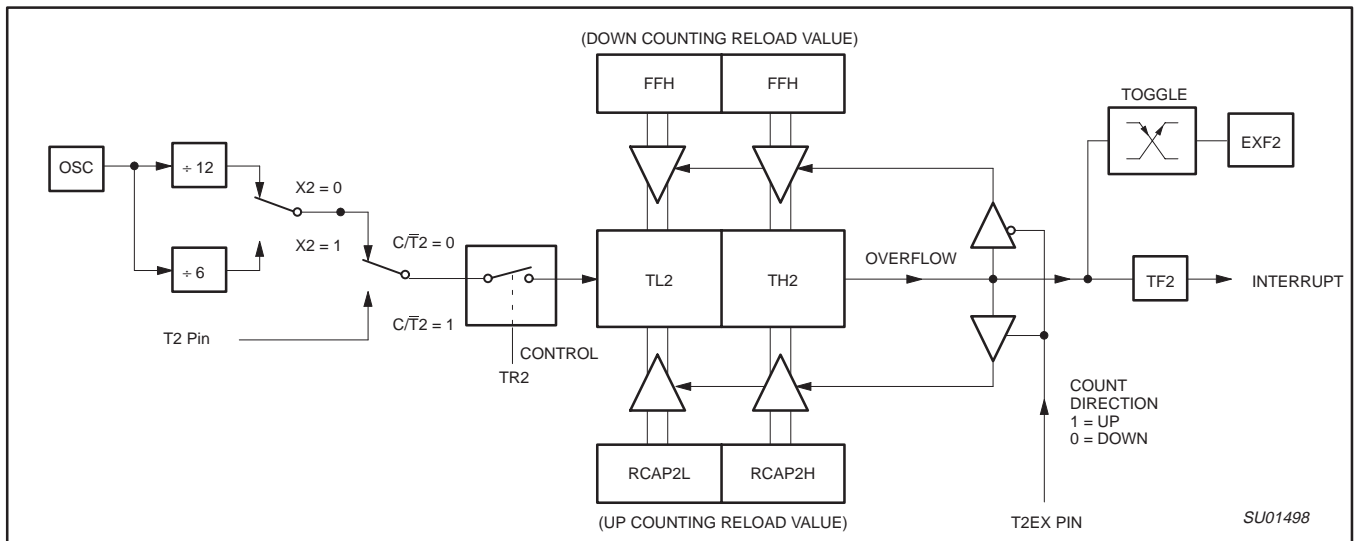


Figure 10. Timer 2 Auto Reload Mode (DCEN = 1)

80C51 8-bit microcontroller family  
 4K/8K/16K/32K ROM/OTP, low voltage (2.7 to 5.5 V),  
 low power, high speed (30/33 MHz)

80C3xX2; 80C5xX2;  
 87C5xX2

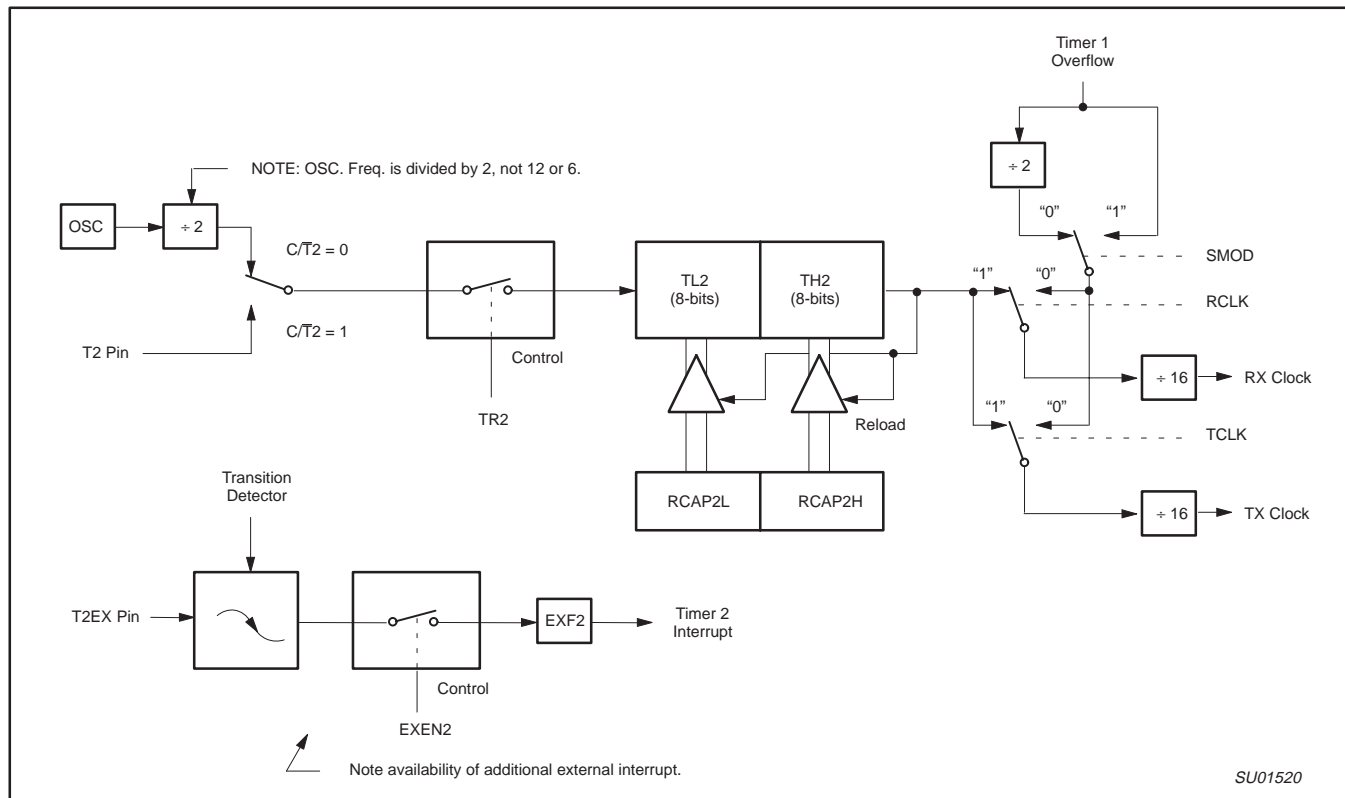


Figure 11. Timer 2 in Baud Rate Generator Mode

**Baud Rate Generator Mode**

Bits TCLK and/or RCLK in T2CON (Table 3) allow the serial port transmit and receive baud rates to be derived from either Timer 1 or Timer 2. When TCLK= 0, Timer 1 is used as the serial port baud rate generator. When TCLK= 1, Timer 2 is used as the serial port transmit baud rate generator. RCLK has the same effect for the serial port receive baud rate. With these two bits, the serial port can have different receive and transmit baud rates – one generated by Timer 1, the other by Timer 2.

Figure 11 shows the Timer 2 in baud rate generation mode. The baud rate generation mode is like the auto-reload mode, in that a rollover in TH2 causes the Timer 2 registers to be reloaded with the 16-bit value in registers RCAP2H and RCAP2L, which are preset by software.

The baud rates in modes 1 and 3 are determined by Timer 2's overflow rate given below:

$$\text{Modes 1 and 3 Baud Rates} = \frac{\text{Timer 2 Overflow Rate}}{16}$$

The timer can be configured for either "timer" or "counter" operation. In many applications, it is configured for "timer" operation (C/T2=0). Timer operation is different for Timer 2 when it is being used as a baud rate generator.

Usually, as a timer it would increment every machine cycle (i.e., 1/6 or 1/12 the oscillator frequency, depending on the Mode). As a baud rate generator, it increments every state time (i.e., 1/2 the oscillator frequency). Thus the baud rate formula is as follows:

Modes 1 and 3 Baud Rates =

$$\frac{\text{Oscillator Frequency}}{[32 \times [65536 - (RCAP2H, RCAP2L)]]}$$

Where: (RCAP2H, RCAP2L)= The content of RCAP2H and RCAP2L taken as a 16-bit unsigned integer.

The Timer 2 as a baud rate generator mode shown in Figure 11 is valid only if RCLK and/or TCLK = 1 in T2CON register. Note that a rollover in TH2 does not set TF2, and will not generate an interrupt. Thus, the Timer 2 interrupt does not have to be disabled when Timer 2 is in the baud rate generator mode. Also if the EXEN2 (T2 external enable flag) is set, a 1-to-0 transition in T2EX (Timer/counter 2 trigger input) will set EXF2 (T2 external flag) but will not cause a reload from (RCAP2H, RCAP2L) to (TH2, TL2). Therefore when Timer 2 is in use as a baud rate generator, T2EX can be used as an additional external interrupt, if needed.

When Timer 2 is in the baud rate generator mode, one should not try to read or write TH2 and TL2. As a baud rate generator, Timer 2 is incremented every state time (osc/2) or asynchronously from pin T2; under these conditions, a read or write of TH2 or TL2 may not be accurate. The RCAP2 registers may be read, but should not be written to, because a write might overlap a reload and cause write and/or reload errors. The timer should be turned off (clear TR2) before accessing the Timer 2 or RCAP2 registers.

Table 4 shows commonly used baud rates and how they can be obtained from Timer 2.

80C51 8-bit microcontroller family  
 4K/8K/16K/32K ROM/OTP, low voltage (2.7 to 5.5 V),  
 low power, high speed (30/33 MHz)

80C3xX2; 80C5xX2;  
 87C5xX2

**Table 4. Timer 2 Generated Commonly Used Baud Rates**

Baud Rate	Osc Freq	Timer 2	
		RCAP2H	RCAP2L
375 K	12 MHz	FF	FF
9.6 K	12 MHz	FF	D9
4.8 K	12 MHz	FF	B2
2.4 K	12 MHz	FF	64
1.2 K	12 MHz	FE	C8
300	12 MHz	FB	1E
110	12 MHz	F2	AF
300	6 MHz	FD	8F
110	6 MHz	F9	57

**Summary Of Baud Rate Equations**

Timer 2 is in baud rate generating mode. If Timer 2 is being clocked through pin T2(P1.0) the baud rate is:

$$\text{Baud Rate} = \frac{\text{Timer 2 Overflow Rate}}{16}$$

If Timer 2 is being clocked internally, the baud rate is:

$$\text{Baud Rate} = \frac{f_{\text{osc}}}{[32 \times [65536 - (\text{RCAP2H}, \text{RCAP2L})]]}$$

Where  $f_{\text{osc}}$  = Oscillator Frequency

To obtain the reload value for RCAP2H and RCAP2L, the above equation can be rewritten as:

$$\text{RCAP2H, RCAP2L} = 65536 - \left( \frac{f_{\text{osc}}}{32 \times \text{Baud Rate}} \right)$$

**Timer/Counter 2 Set-up**

Except for the baud rate generator mode, the values given for T2CON do not include the setting of the TR2 bit. Therefore, bit TR2

must be set, separately, to turn the timer on. See Table 5 for set-up of Timer 2 as a timer. Also see Table 6 for set-up of Timer 2 as a counter.

**Table 5. Timer 2 as a Timer**

MODE	T2CON	
	INTERNAL CONTROL (Note 1)	EXTERNAL CONTROL (Note 2)
16-bit Auto-Reload	00H	08H
16-bit Capture	01H	09H
Baud rate generator receive and transmit same baud rate	34H	36H
Receive only	24H	26H
Transmit only	14H	16H

**Table 6. Timer 2 as a Counter**

MODE	TMOD	
	INTERNAL CONTROL (Note 1)	EXTERNAL CONTROL (Note 2)
16-bit	02H	0AH
Auto-Reload	03H	0BH

**NOTES:**

1. Capture/reload occurs only on timer/counter overflow.
2. Capture/reload occurs on timer/counter overflow and a 1-to-0 transition on T2EX (P1.1) pin except when Timer 2 is used in the baud rate generator mode.

80C51 8-bit microcontroller family  
4K/8K/16K/32K ROM/OTP, low voltage (2.7 to 5.5 V),  
low power, high speed (30/33 MHz)

80C3xX2; 80C5xX2;  
87C5xX2

## FULL-DUPLEX ENHANCED UART

### Standard UART operation

The serial port is full duplex, meaning it can transmit and receive simultaneously. It is also receive-buffered, meaning it can commence reception of a second byte before a previously received byte has been read from the register. (However, if the first byte still hasn't been read by the time reception of the second byte is complete, one of the bytes will be lost.) The serial port receive and transmit registers are both accessed at Special Function Register SBUF. Writing to SBUF loads the transmit register, and reading SBUF accesses a physically separate receive register.

The serial port can operate in 4 modes:

- Mode 0:** Serial data enters and exits through RxD. TxD outputs the shift clock. 8 bits are transmitted/received (LSB first). The baud rate is fixed at 1/12 the oscillator frequency.
- Mode 1:** 10 bits are transmitted (through TxD) or received (through RxD): a start bit (0), 8 data bits (LSB first), and a stop bit (1). On receive, the stop bit goes into RB8 in Special Function Register SCON. The baud rate is variable.
- Mode 2:** 11 bits are transmitted (through TxD) or received (through RxD): start bit (0), 8 data bits (LSB first), a programmable 9th data bit, and a stop bit (1). On Transmit, the 9th data bit (TB8 in SCON) can be assigned the value of 0 or 1. Or, for example, the parity bit (P, in the PSW) could be moved into TB8. On receive, the 9th data bit goes into RB8 in Special Function Register SCON, while the stop bit is ignored. The baud rate is programmable to either 1/32 or 1/64 the oscillator frequency.
- Mode 3:** 11 bits are transmitted (through TxD) or received (through RxD): a start bit (0), 8 data bits (LSB first), a programmable 9th data bit, and a stop bit (1). In fact, Mode 3 is the same as Mode 2 in all respects except baud rate. The baud rate in Mode 3 is variable.

In all four modes, transmission is initiated by any instruction that uses SBUF as a destination register. Reception is initiated in Mode 0 by the condition RI = 0 and REN = 1. Reception is initiated in the other modes by the incoming start bit if REN = 1.

### Multiprocessor Communications

Modes 2 and 3 have a special provision for multiprocessor communications. In these modes, 9 data bits are received. The 9th one goes into RB8. Then comes a stop bit. The port can be programmed such that when the stop bit is received, the serial port interrupt will be activated only if RB8 = 1. This feature is enabled by setting bit SM2 in SCON. A way to use this feature in multiprocessor systems is as follows:

When the master processor wants to transmit a block of data to one of several slaves, it first sends out an address byte which identifies the target slave. An address byte differs from a data byte in that the

9th bit is 1 in an address byte and 0 in a data byte. With SM2 = 1, no slave will be interrupted by a data byte. An address byte, however, will interrupt all slaves, so that each slave can examine the received byte and see if it is being addressed. The addressed slave will clear its SM2 bit and prepare to receive the data bytes that will be coming. The slaves that weren't being addressed leave their SM2s set and go on about their business, ignoring the coming data bytes.

SM2 has no effect in Mode 0, and in Mode 1 can be used to check the validity of the stop bit. In a Mode 1 reception, if SM2 = 1, the receive interrupt will not be activated unless a valid stop bit is received.

### Serial Port Control Register

The serial port control and status register is the Special Function Register SCON, shown in Figure 12. This register contains not only the mode selection bits, but also the 9th data bit for transmit and receive (TB8 and RB8), and the serial port interrupt bits (TI and RI).

### Baud Rates

The baud rate in Mode 0 is fixed: Mode 0 Baud Rate = Oscillator Frequency / 12. The baud rate in Mode 2 depends on the value of bit SMOD in Special Function Register PCON. If SMOD = 0 (which is the value on reset), the baud rate is 1/64 the oscillator frequency. If SMOD = 1, the baud rate is 1/32 the oscillator frequency.

Mode 2 Baud Rate =

$$\frac{2^{\text{SMOD}}}{64} \times (\text{Oscillator Frequency})$$

In the 80C51, the baud rates in Modes 1 and 3 are determined by the Timer 1 overflow rate.

### Using Timer 1 to Generate Baud Rates

When Timer 1 is used as the baud rate generator, the baud rates in Modes 1 and 3 are determined by the Timer 1 overflow rate and the value of SMOD as follows:

Mode 1, 3 Baud Rate =

$$\frac{2^{\text{SMOD}}}{32} \times (\text{Timer 1 Overflow Rate})$$

The Timer 1 interrupt should be disabled in this application. The Timer itself can be configured for either "timer" or "counter" operation, and in any of its 3 running modes. In the most typical applications, it is configured for "timer" operation, in the auto-reload mode (high nibble of TMOD = 0010B). In that case the baud rate is given by the formula:

Mode 1, 3 Baud Rate =

$$\frac{2^{\text{SMOD}}}{32} \times \frac{\text{Oscillator Frequency}}{12 \times [256 - (\text{TH1})]}$$

One can achieve very low baud rates with Timer 1 by leaving the Timer 1 interrupt enabled, and configuring the Timer to run as a 16-bit timer (high nibble of TMOD = 0001B), and using the Timer 1 interrupt to do a 16-bit software reload. Figure 13 lists various commonly used baud rates and how they can be obtained from Timer 1.

80C51 8-bit microcontroller family  
 4K/8K/16K/32K ROM/OTP, low voltage (2.7 to 5.5 V),  
 low power, high speed (30/33 MHz)

80C3xX2; 80C5xX2;  
 87C5xX2

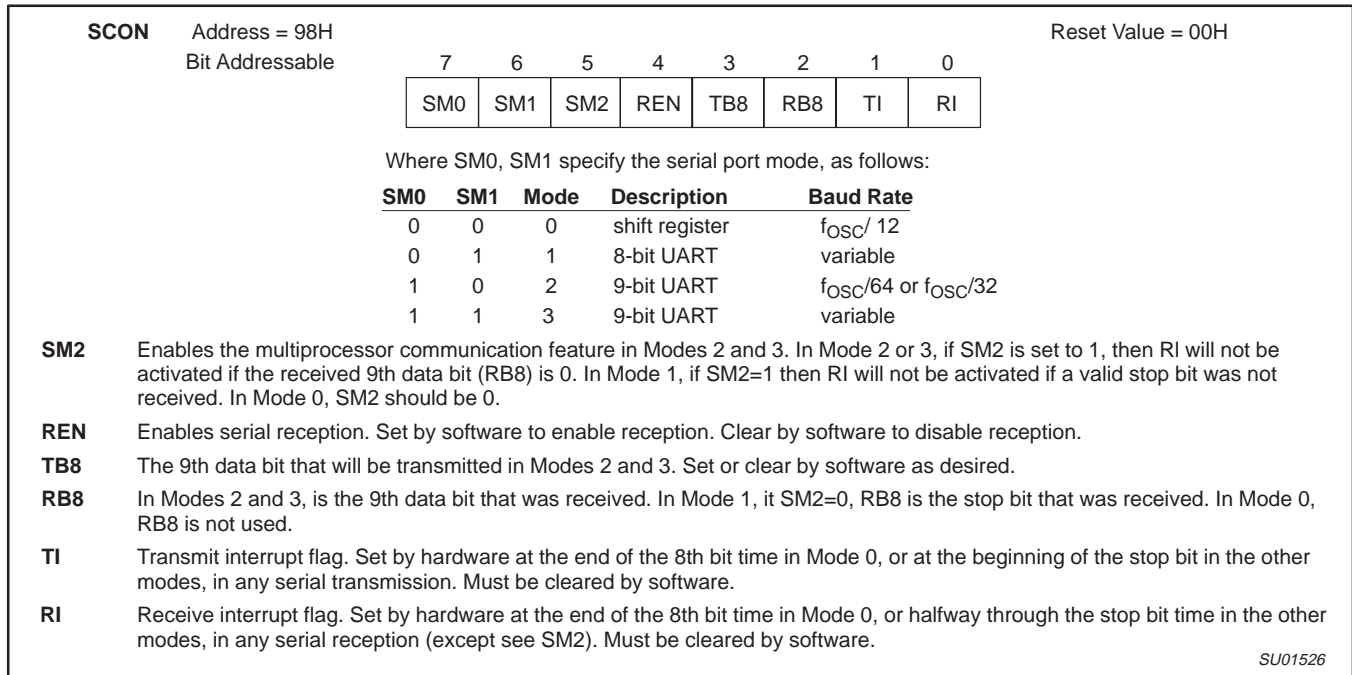


Figure 12. Serial Port Control (SCON) Register

Baud Rate	fosc	SMOD	Timer 1		
			C/T	Mode	Reload Value
Mode 0 Max: 1.67MHz	20MHz	X	X	X	X
Mode 2 Max: 625k	20MHz	1	X	X	X
Mode 1, 3 Max: 104.2k	20MHz	1	0	2	FFH
19.2k	11.059MHz	1	0	2	FDH
9.6k	11.059MHz	0	0	2	FDH
4.8k	11.059MHz	0	0	2	FAH
2.4k	11.059MHz	0	0	2	F4H
1.2k	11.059MHz	0	0	2	E8H
137.5	11.986MHz	0	0	2	1DH
110	6MHz	0	0	2	72H
110	12MHz	0	0	1	FEEBH

Figure 13. Timer 1 Generated Commonly Used Baud Rates

**More About Mode 0**

Serial data enters and exits through Rx/D. Tx/D outputs the shift clock. 8 bits are transmitted/received: 8 data bits (LSB first). The baud rate is fixed a 1/12 the oscillator frequency.

Figure 14 shows a simplified functional diagram of the serial port in Mode 0, and associated timing.

Transmission is initiated by any instruction that uses SBUF as a destination register. The "write to SBUF" signal at S6P2 also loads a 1 into the 9th position of the transmit shift register and tells the TX Control block to commence a transmission. The internal timing is such that one full machine cycle will elapse between "write to SBUF" and activation of SEND.

SEND enables the output of the shift register to the alternate output function line of P3.0 and also enable SHIFT CLOCK to the alternate output function line of P3.1. SHIFT CLOCK is low during S3, S4, and S5 of every machine cycle, and high during S6, S1, and S2. At

S6P2 of every machine cycle in which SEND is active, the contents of the transmit shift are shifted to the right one position.

As data bits shift out to the right, zeros come in from the left. When the MSB of the data byte is at the output position of the shift register, then the 1 that was initially loaded into the 9th position, is just to the left of the MSB, and all positions to the left of that contain zeros. This condition flags the TX Control block to do one last shift and then deactivate SEND and set T1. Both of these actions occur at S1P1 of the 10th machine cycle after "write to SBUF."

Reception is initiated by the condition REN = 1 and R1 = 0. At S6P2 of the next machine cycle, the RX Control unit writes the bits 11111110 to the receive shift register, and in the next clock phase activates RECEIVE.

RECEIVE enable SHIFT CLOCK to the alternate output function line of P3.1. SHIFT CLOCK makes transitions at S3P1 and S6P1 of every machine cycle. At S6P2 of every machine cycle in which

**80C51 8-bit microcontroller family**  
 4K/8K/16K/32K ROM/OTP, low voltage (2.7 to 5.5 V),  
 low power, high speed (30/33 MHz)

**80C3xX2; 80C5xX2;  
 87C5xX2**

RECEIVE is active, the contents of the receive shift register are shifted to the left one position. The value that comes in from the right is the value that was sampled at the P3.0 pin at S5P2 of the same machine cycle.

As data bits come in from the right, 1s shift out to the left. When the 0 that was initially loaded into the rightmost position arrives at the leftmost position in the shift register, it flags the RX Control block to do one last shift and load SBUF. At S1P1 of the 10th machine cycle after the write to SCON that cleared RI, RECEIVE is cleared as RI is set.

#### More About Mode 1

Ten bits are transmitted (through TxD), or received (through RxD): a start bit (0), 8 data bits (LSB first), and a stop bit (1). On receive, the stop bit goes into RB8 in SCON. In the 80C51 the baud rate is determined by the Timer 1 overflow rate.

Figure 15 shows a simplified functional diagram of the serial port in Mode 1, and associated timings for transmit receive.

Transmission is initiated by any instruction that uses SBUF as a destination register. The "write to SBUF" signal also loads a 1 into the 9th bit position of the transmit shift register and flags the TX Control unit that a transmission is requested. Transmission actually commences at S1P1 of the machine cycle following the next rollover in the divide-by-16 counter. (Thus, the bit times are synchronized to the divide-by-16 counter, not to the "write to SBUF" signal.)

The transmission begins with activation of SEND which puts the start bit at TxD. One bit time later, DATA is activated, which enables the output bit of the transmit shift register to TxD. The first shift pulse occurs one bit time after that.

As data bits shift out to the right, zeros are clocked in from the left. When the MSB of the data byte is at the output position of the shift register, then the 1 that was initially loaded into the 9th position is just to the left of the MSB, and all positions to the left of that contain zeros. This condition flags the TX Control unit to do one last shift and then deactivate SEND and set TI. This occurs at the 10th divide-by-16 rollover after "write to SBUF."

Reception is initiated by a detected 1-to-0 transition at RxD. For this purpose RxD is sampled at a rate of 16 times whatever baud rate has been established. When a transition is detected, the divide-by-16 counter is immediately reset, and 1FFH is written into the input shift register. Resetting the divide-by-16 counter aligns its rollovers with the boundaries of the incoming bit times.

The 16 states of the counter divide each bit time into 16ths. At the 7th, 8th, and 9th counter states of each bit time, the bit detector samples the value of RxD. The value accepted is the value that was seen in at least 2 of the 3 samples. This is done for noise rejection. If the value accepted during the first bit time is not 0, the receive circuits are reset and the unit goes back to looking for another 1-to-0 transition. This is to provide rejection of false start bits. If the start bit proves valid, it is shifted into the input shift register, and reception of the rest of the frame will proceed.

As data bits come in from the right, 1s shift out to the left. When the start bit arrives at the leftmost position in the shift register (which in mode 1 is a 9-bit register), it flags the RX Control block to do one last shift, load SBUF and RB8, and set RI. The signal to load SBUF and RB8, and to set RI, will be generated if, and only if, the following conditions are met at the time the final shift pulse is generated.:

1. R1 = 0, and
2. Either SM2 = 0, or the received stop bit = 1.

If either of these two conditions is not met, the received frame is irretrievably lost. If both conditions are met, the stop bit goes into

RB8, the 8 data bits go into SBUF, and RI is activated. At this time, whether the above conditions are met or not, the unit goes back to looking for a 1-to-0 transition in RxD.

#### More About Modes 2 and 3

Eleven bits are transmitted (through TxD), or received (through RxD): a start bit (0), 8 data bits (LSB first), a programmable 9th data bit, and a stop bit (1). On transmit, the 9th data bit (TB8) can be assigned the value of 0 or 1. On receive, the 9th data bit goes into RB8 in SCON. The baud rate is programmable to either 1/32 or 1/64 the oscillator frequency in Mode 2. Mode 3 may have a variable baud rate generated from Timer 1.

Figures 16 and 17 show a functional diagram of the serial port in Modes 2 and 3. The receive portion is exactly the same as in Mode 1. The transmit portion differs from Mode 1 only in the 9th bit of the transmit shift register.

Transmission is initiated by any instruction that uses SBUF as a destination register. The "write to SBUF" signal also loads TB8 into the 9th bit position of the transmit shift register and flags the TX Control unit that a transmission is requested. Transmission commences at S1P1 of the machine cycle following the next rollover in the divide-by-16 counter. (Thus, the bit times are synchronized to the divide-by-16 counter, not to the "write to SBUF" signal.)

The transmission begins with activation of SEND, which puts the start bit at TxD. One bit time later, DATA is activated, which enables the output bit of the transmit shift register to TxD. The first shift pulse occurs one bit time after that. The first shift clocks a 1 (the stop bit) into the 9th bit position of the shift register. Thereafter, only zeros are clocked in. Thus, as data bits shift out to the right, zeros are clocked in from the left. When TB8 is at the output position of the shift register, then the stop bit is just to the left of TB8, and all positions to the left of that contain zeros. This condition flags the TX Control unit to do one last shift and then deactivate SEND and set TI. This occurs at the 11th divide-by-16 rollover after "write to SBUF."

Reception is initiated by a detected 1-to-0 transition at RxD. For this purpose RxD is sampled at a rate of 16 times whatever baud rate has been established. When a transition is detected, the divide-by-16 counter is immediately reset, and 1FFH is written to the input shift register.

At the 7th, 8th, and 9th counter states of each bit time, the bit detector samples the value of R-D. The value accepted is the value that was seen in at least 2 of the 3 samples. If the value accepted during the first bit time is not 0, the receive circuits are reset and the unit goes back to looking for another 1-to-0 transition. If the start bit proves valid, it is shifted into the input shift register, and reception of the rest of the frame will proceed.

As data bits come in from the right, 1s shift out to the left. When the start bit arrives at the leftmost position in the shift register (which in Modes 2 and 3 is a 9-bit register), it flags the RX Control block to do one last shift, load SBUF and RB8, and set RI.

The signal to load SBUF and RB8, and to set RI, will be generated if, and only if, the following conditions are met at the time the final shift pulse is generated.

1. RI = 0, and
2. Either SM2 = 0, or the received 9th data bit = 1.

If either of these conditions is not met, the received frame is irretrievably lost, and RI is not set. If both conditions are met, the received 9th data bit goes into RB8, and the first 8 data bits go into SBUF. One bit time later, whether the above conditions were met or not, the unit goes back to looking for a 1-to-0 transition at the RxD input.



80C51 8-bit microcontroller family  
 4K/8K/16K/32K ROM/OTP, low voltage (2.7 to 5.5 V),  
 low power, high speed (30/33 MHz)

80C3xX2; 80C5xX2;  
 87C5xX2

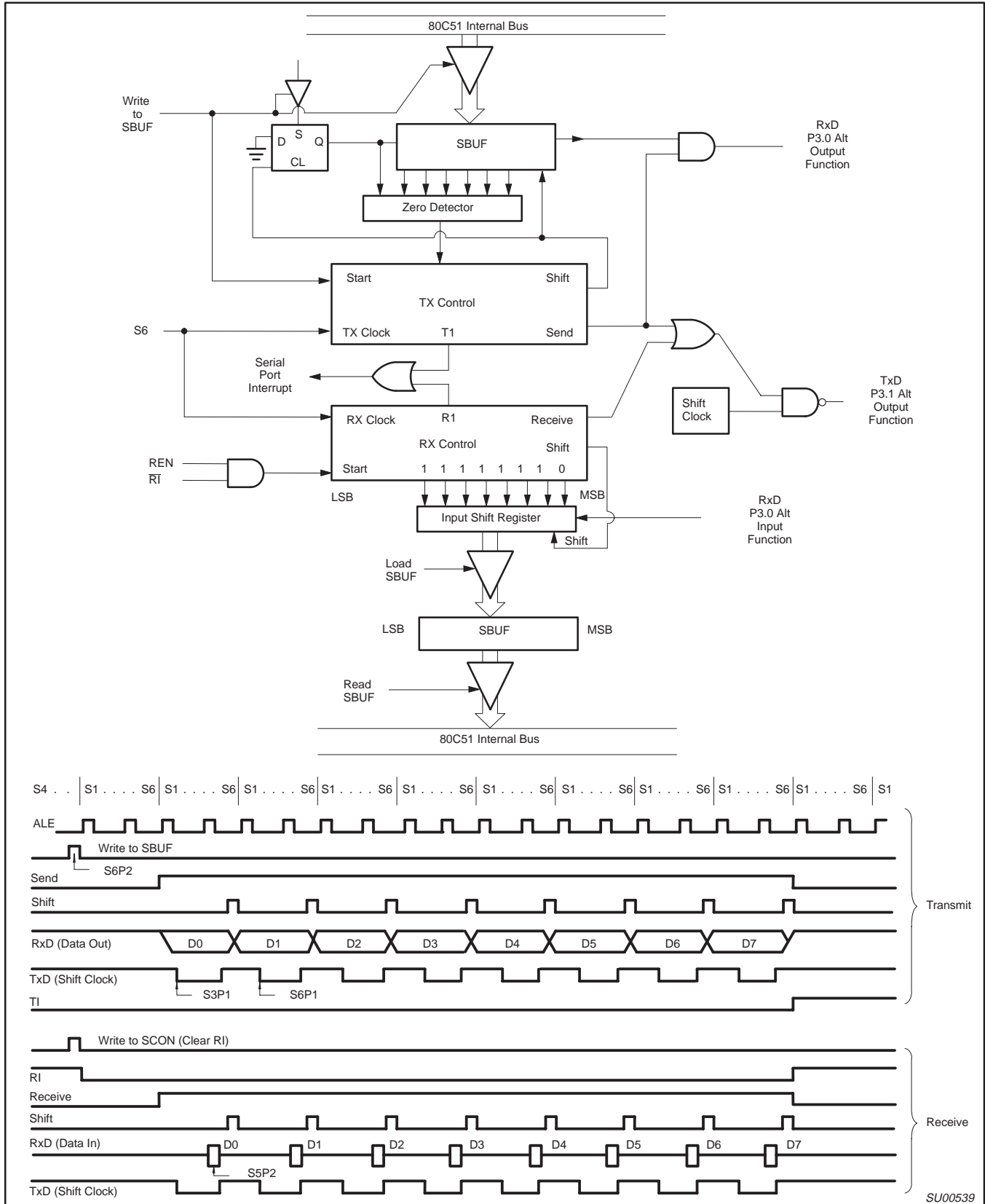
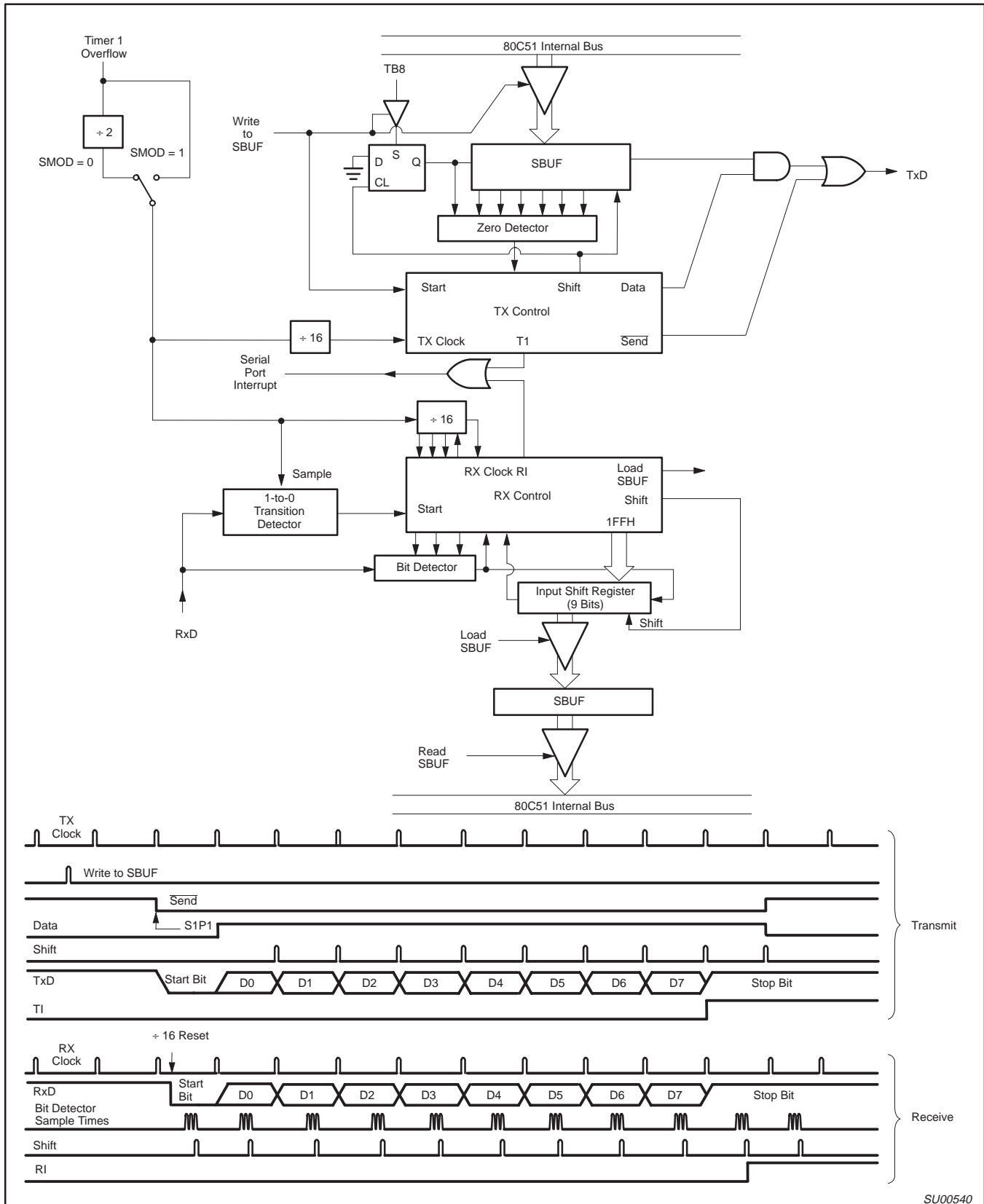


Figure 14. Serial Port Mode 0



80C51 8-bit microcontroller family  
 4K/8K/16K/32K ROM/OTP, low voltage (2.7 to 5.5 V),  
 low power, high speed (30/33 MHz)

80C3xX2; 80C5xX2;  
 87C5xX2



SU00540

Figure 15. Serial Port Mode 1

80C51 8-bit microcontroller family  
 4K/8K/16K/32K ROM/OTP, low voltage (2.7 to 5.5 V),  
 low power, high speed (30/33 MHz)

80C3xX2; 80C5xX2;  
 87C5xX2

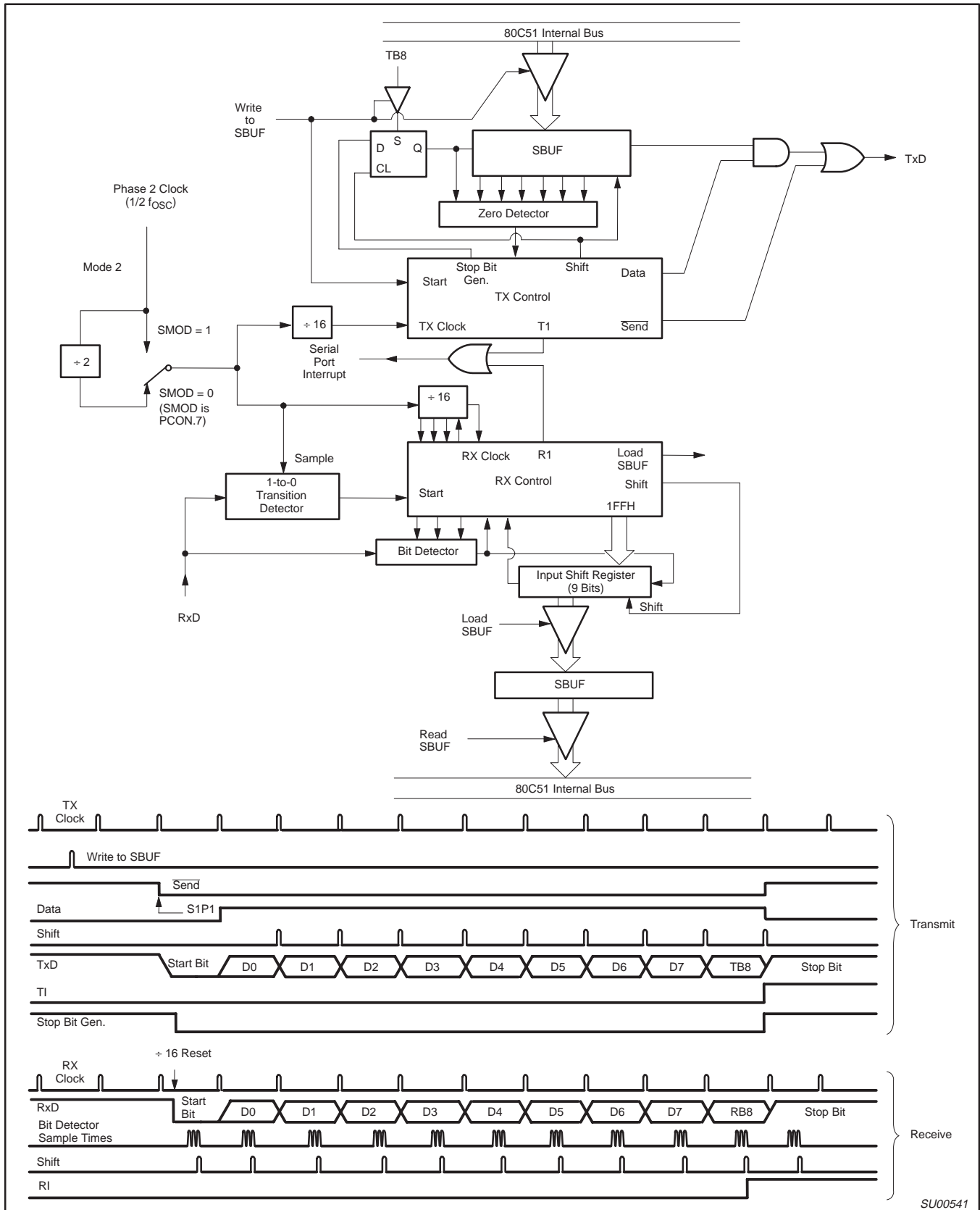
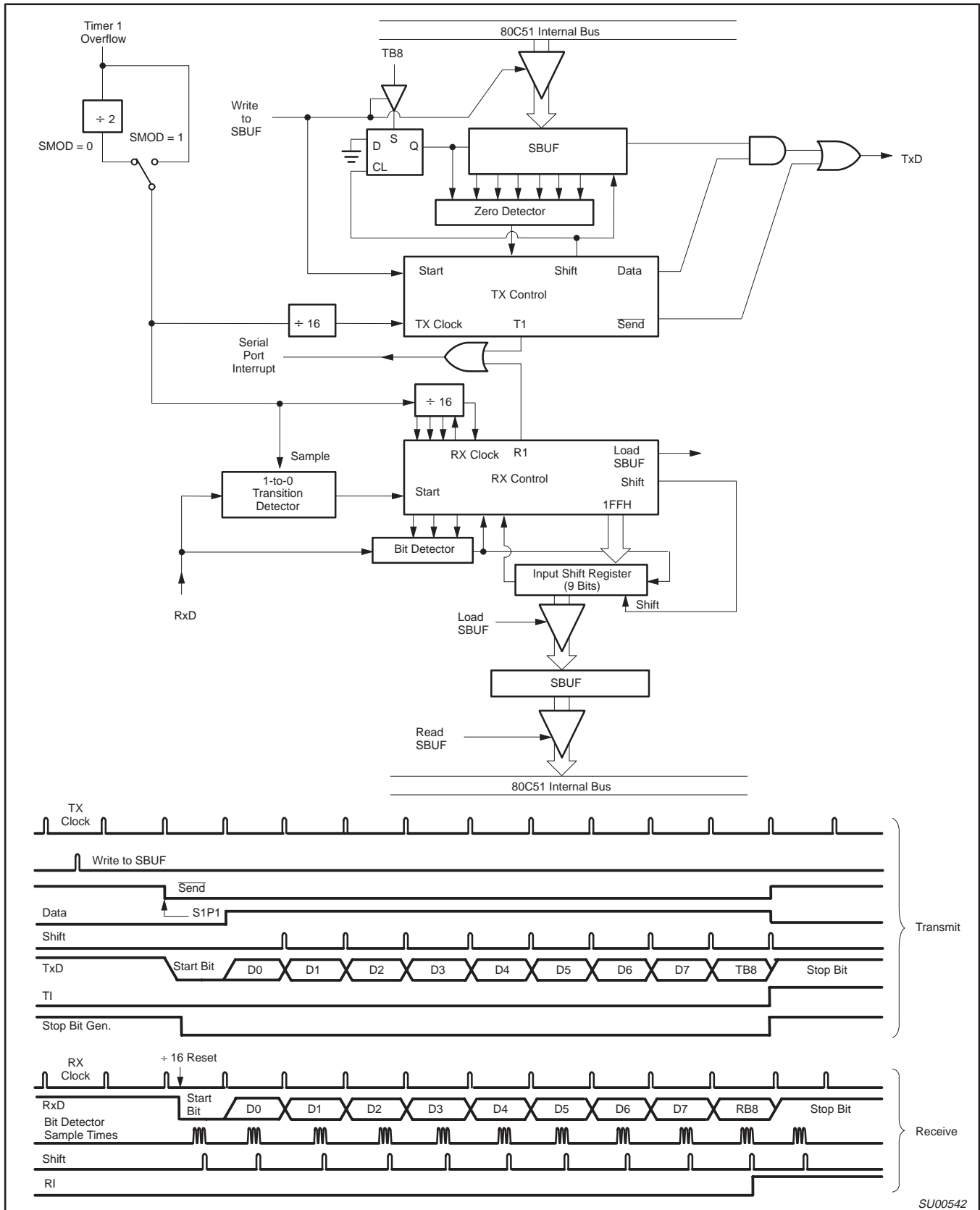


Figure 16. Serial Port Mode 2

80C51 8-bit microcontroller family  
 4K/8K/16K/32K ROM/OTP, low voltage (2.7 to 5.5 V),  
 low power, high speed (30/33 MHz)

80C3xX2; 80C5xX2;  
 87C5xX2



SU00542

Figure 17. Serial Port Mode 3

80C51 8-bit microcontroller family  
 4K/8K/16K/32K ROM/OTP, low voltage (2.7 to 5.5 V),  
 low power, high speed (30/33 MHz)

80C3xX2; 80C5xX2;  
 87C5xX2

### Enhanced UART operation

In addition to the standard operation modes, the UART can perform framing error detect by looking for missing stop bits, and automatic address recognition. The UART also fully supports multiprocessor communication.

When used for framing error detect the UART looks for missing stop bits in the communication. A missing bit will set the FE bit in the SCON register. The FE bit shares the SCON.7 bit with SM0 and the function of SCON.7 is determined by PCON.6 (SMOD0) (see Figure 18). If SMOD0 is set then SCON.7 functions as FE. SCON.7 functions as SM0 when SMOD0 is cleared. When used as FE SCON.7 can only be cleared by software. Refer to Figure 19.

### Automatic Address Recognition

Automatic Address Recognition is a feature which allows the UART to recognize certain addresses in the serial bit stream by using hardware to make the comparisons. This feature saves a great deal of software overhead by eliminating the need for the software to examine every serial address which passes by the serial port. This feature is enabled by setting the SM2 bit in SCON. In the 9 bit UART modes, mode 2 and mode 3, the Receive Interrupt flag (RI) will be automatically set when the received byte contains either the "Given" address or the "Broadcast" address. The 9 bit mode requires that the 9th information bit is a 1 to indicate that the received information is an address and not data. Automatic address recognition is shown in Figure 20.

The 8 bit mode is called Mode 1. In this mode the RI flag will be set if SM2 is enabled and the information received has a valid stop bit following the 8 address bits and the information is either a Given or Broadcast address.

Mode 0 is the Shift Register mode and SM2 is ignored.

Using the Automatic Address Recognition feature allows a master to selectively communicate with one or more slaves by invoking the Given slave address or addresses. All of the slaves may be contacted by using the Broadcast address. Two special Function Registers are used to define the slave's address, SADDR, and the address mask, SADEN. SADEN is used to define which bits in the SADDR are to be used and which bits are "don't care". The SADEN mask can be logically ANDed with the SADDR to create the "Given" address which the master will use for addressing each of the slaves. Use of the Given address allows multiple slaves to be recognized while excluding others. The following examples will help to show the versatility of this scheme:

Slave 0	SADDR =	1100 0000
	SADEN =	<u>1111 1101</u>
	Given =	1100 00X0

Slave 1	SADDR =	1100 0000
	SADEN =	<u>1111 1110</u>
	Given =	1100 00X0

In the above example SADDR is the same and the SADEN data is used to differentiate between the two slaves. Slave 0 requires a 0 in bit 0 and it ignores bit 1. Slave 1 requires a 0 in bit 1 and bit 0 is ignored. A unique address for Slave 0 would be 1100 0010 since slave 1 requires a 0 in bit 1. A unique address for slave 1 would be 1100 0001 since a 1 in bit 0 will exclude slave 0. Both slaves can be selected at the same time by an address which has bit 0 = 0 (for slave 0) and bit 1 = 0 (for slave 1). Thus, both could be addressed with 1100 0000.

In a more complex system the following could be used to select slaves 1 and 2 while excluding slave 0:

Slave 0	SADDR =	1100 0000
	SADEN =	<u>1111 1001</u>
	Given =	1100 0XX0
Slave 1	SADDR =	1110 0000
	SADEN =	<u>1111 1010</u>
	Given =	1110 0X0X
Slave 2	SADDR =	1110 0000
	SADEN =	<u>1111 1100</u>
	Given =	1110 00XX

In the above example the differentiation among the 3 slaves is in the lower 3 address bits. Slave 0 requires that bit 0 = 0 and it can be uniquely addressed by 1110 0110. Slave 1 requires that bit 1 = 0 and it can be uniquely addressed by 1110 and 0101. Slave 2 requires that bit 2 = 0 and its unique address is 1110 0011. To select Slaves 0 and 1 and exclude Slave 2 use address 1110 0100, since it is necessary to make bit 2 = 1 to exclude slave 2.

The Broadcast Address for each slave is created by taking the logical OR of SADDR and SADEN. Zeros in this result are treated as don't-cares. In most cases, interpreting the don't-cares as ones, the broadcast address will be FF hexadecimal.

Upon reset SADDR (SFR address 0A9H) and SADEN (SFR address 0B9H) are loaded with 0s. This produces a given address of all "don't cares" as well as a Broadcast address of all "don't cares". This effectively disables the Automatic Addressing mode and allows the microcontroller to use standard 80C51 type UART drivers which do not make use of this feature.

80C51 8-bit microcontroller family  
 4K/8K/16K/32K ROM/OTP, low voltage (2.7 to 5.5 V),  
 low power, high speed (30/33 MHz)

80C3xX2; 80C5xX2;  
 87C5xX2

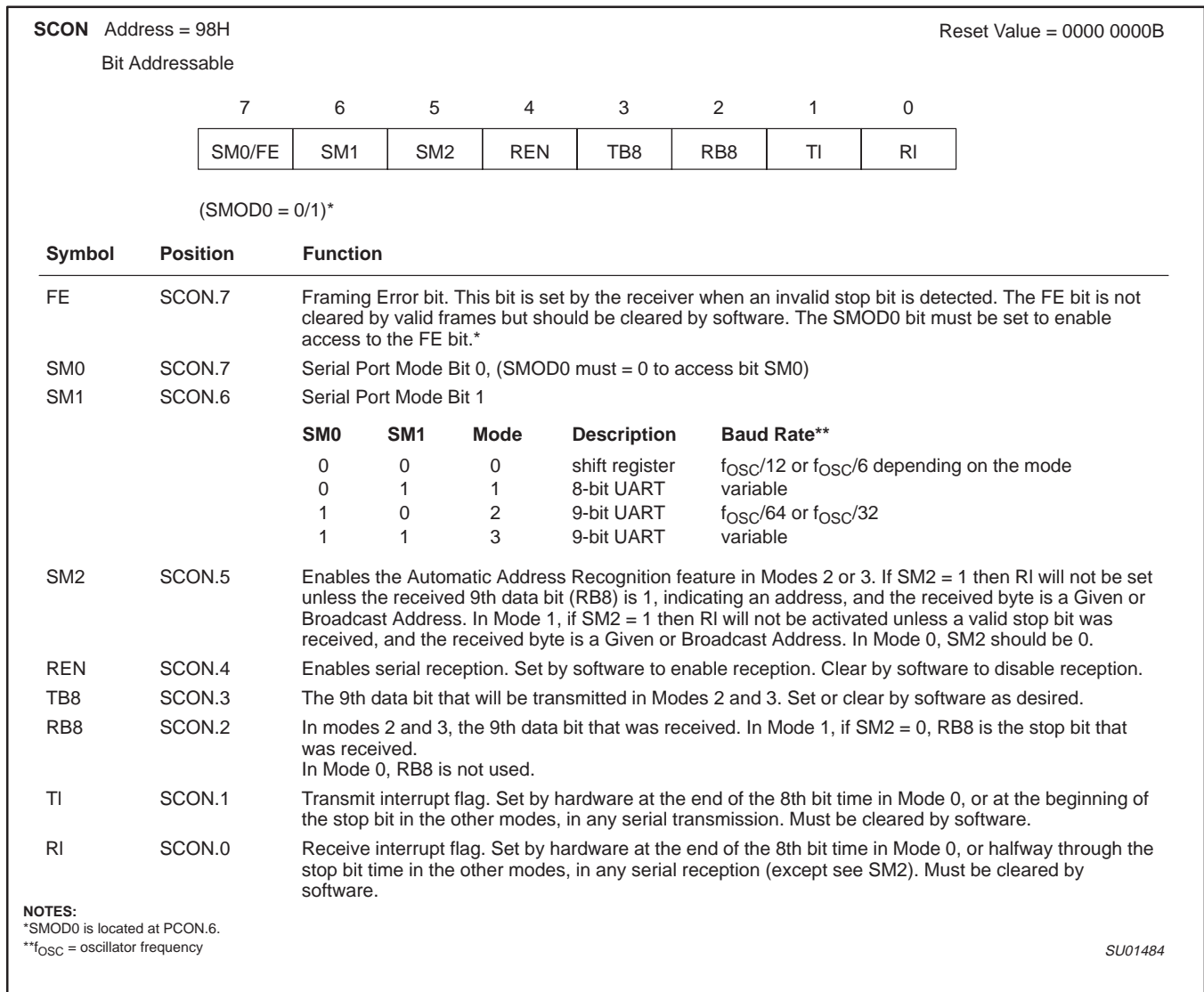


Figure 18. SCON: Serial Port Control Register

80C51 8-bit microcontroller family  
 4K/8K/16K/32K ROM/OTP, low voltage (2.7 to 5.5 V),  
 low power, high speed (30/33 MHz)

80C3xX2; 80C5xX2;  
 87C5xX2

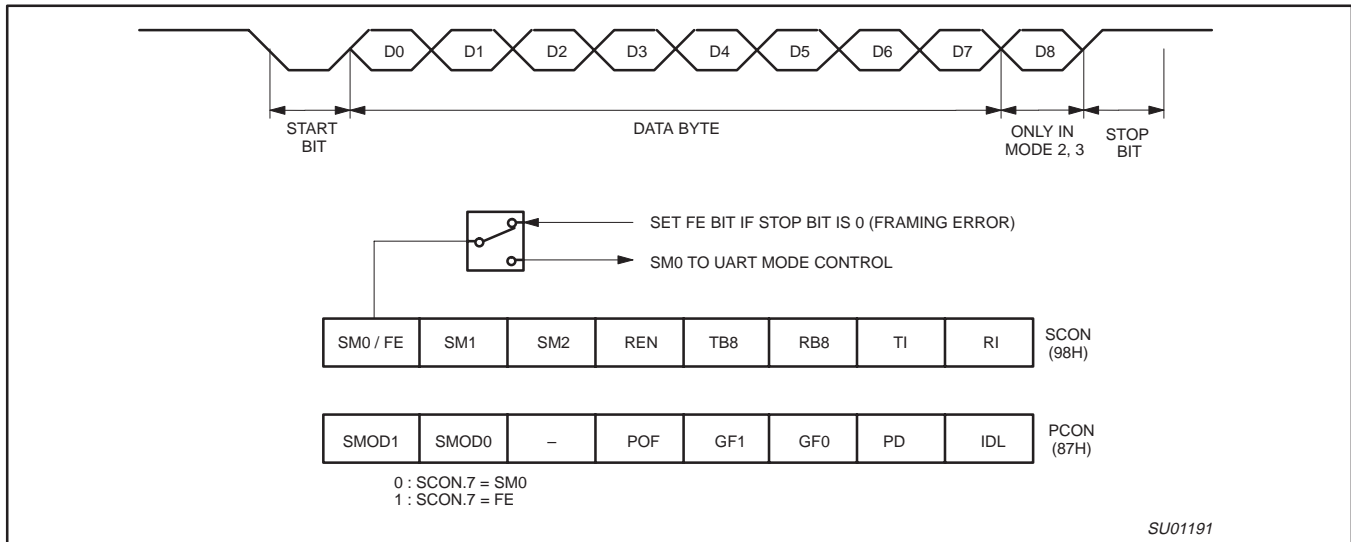


Figure 19. UART Framing Error Detection

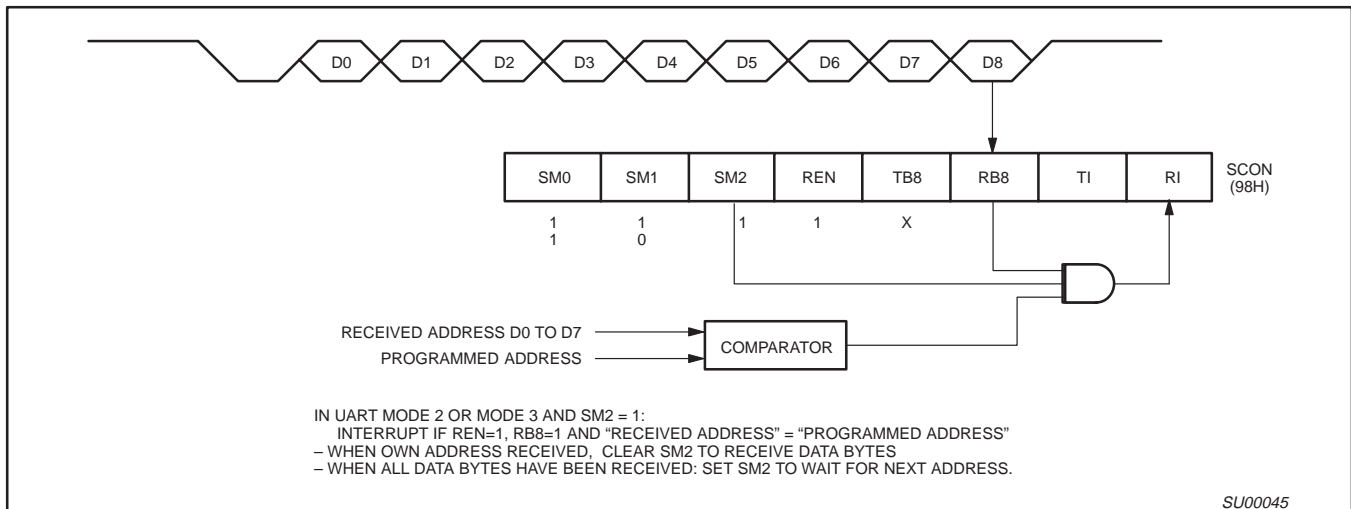


Figure 20. UART Multiprocessor Communication, Automatic Address Recognition

80C51 8-bit microcontroller family  
4K/8K/16K/32K ROM/OTP, low voltage (2.7 to 5.5 V),  
low power, high speed (30/33 MHz)

80C3xX2; 80C5xX2;  
87C5xX2

## Interrupt Priority Structure

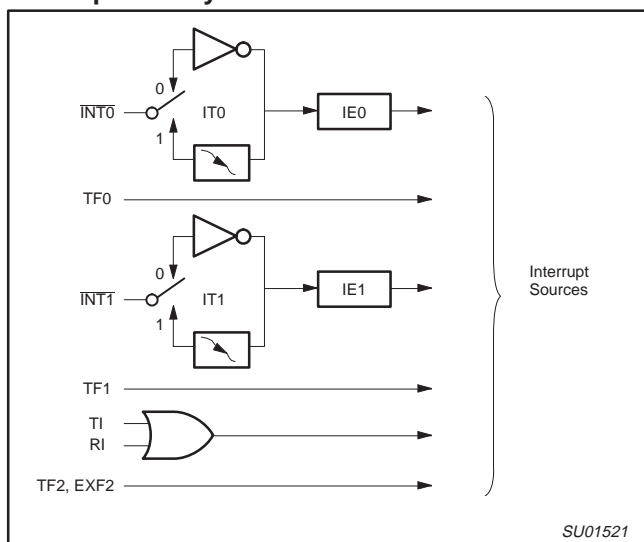


Figure 21. Interrupt Sources

## Interrupts

The devices described in this data sheet provide six interrupt sources. These are shown in Figure 21. The External Interrupts  $\overline{INT0}$  and  $\overline{INT1}$  can each be either level-activated or transition-activated, depending on bits IT0 and IT1 in Register TCON. The flags that actually generate these interrupts are bits IE0 and IE1 in TCON. When an external interrupt is generated, the flag that generated it is cleared by the hardware when the service routine is vectored to only if the interrupt was transition-activated. If the interrupt was level-activated, then the external requesting source is what controls the request flag, rather than the on-chip hardware.

The Timer 0 and Timer 1 Interrupts are generated by TF0 and TF1, which are set by a rollover in their respective Timer/Counter registers (except see Timer 0 in Mode 3). When a timer interrupt is generated, the flag that generated it is cleared by the on-chip hardware when the service routine is vectored to.

The Serial Port Interrupt is generated by the logical OR of RI and TI. Neither of these flags is cleared by hardware when the service routine is vectored to. In fact, the service routine will normally have to determine whether it was RI or TI that generated the interrupt, and the bit will have to be cleared in software.

All of the bits that generate interrupts can be set or cleared by software, with the same result as though it had been set or cleared by hardware. That is, interrupts can be generated or pending interrupts can be canceled in software.

Each of these interrupt sources can be individually enabled or disabled by setting or clearing a bit in Special Function Register IE (Figure 22). IE also contains a global disable bit, EA, which disables all interrupts at once.

## Priority Level Structure

Each interrupt source can also be individually programmed to one of four priority levels by setting or clearing bits in Special Function Registers IP (Figure 23) and IPH (Figure 24). A lower-priority interrupt can itself be interrupted by a higher-priority interrupt, but not by another interrupt of the same level. A high-priority level 3 interrupt can't be interrupted by any other interrupt source.

If two request of different priority levels are received simultaneously, the request of higher priority level is serviced. If requests of the same priority level are received simultaneously, an internal polling sequence determines which request is serviced. Thus within each priority level there is a second priority structure determined by the polling sequence as follows:

Source	Priority Within Level
1. IE0 (External Int 0)	(highest)
2. TF0 (Timer 0)	
3. IE1 (External Int 1)	
4. TF1 (Timer 1)	
5. RI+TI (UART)	
6. TF2, EXF2 (Timer 2)	(lowest)

Note that the "priority within level" structure is only used to resolve simultaneous requests of the same priority level.

The IP and IPH registers contain a number of unimplemented bits. User software should not write 1s to these positions, since they may be used in other 80C51 Family products.

## How Interrupts Are Handled

The interrupt flags are sampled at S5P2 of every machine cycle. The samples are polled during the following machine cycle. If one of the flags was in a set condition at S5P2 of the preceding cycle, the polling cycle will find it and the interrupt system will generate an LCALL to the appropriate service routine, provided this hardware-generated LCALL is not blocked by any of the following conditions:

1. An interrupt of equal or higher priority level is already in progress.
2. The current (polling) cycle is not the final cycle in the execution of the instruction in progress.
3. The instruction in progress is RETI or any write to the IE or IP registers.

Any of these three conditions will block the generation of the LCALL to the interrupt service routine. Condition 2 ensures that the instruction in progress will be completed before vectoring to any service routine. Condition 3 ensures that if the instruction in progress is RETI or any access to IE or IP, then at least one more instruction will be executed before any interrupt is vectored to.

The polling cycle is repeated with each machine cycle, and the values polled are the values that were present at S5P2 of the previous machine cycle. Note that if an interrupt flag is active but not being responded to for one of the above conditions, if the flag is not still active when the blocking condition is removed, the denied interrupt will not be serviced. In other words, the fact that the interrupt flag was once active but not serviced is not remembered. Every polling cycle is new.

80C51 8-bit microcontroller family  
 4K/8K/16K/32K ROM/OTP, low voltage (2.7 to 5.5 V),  
 low power, high speed (30/33 MHz)

80C3xX2; 80C5xX2;  
 87C5xX2

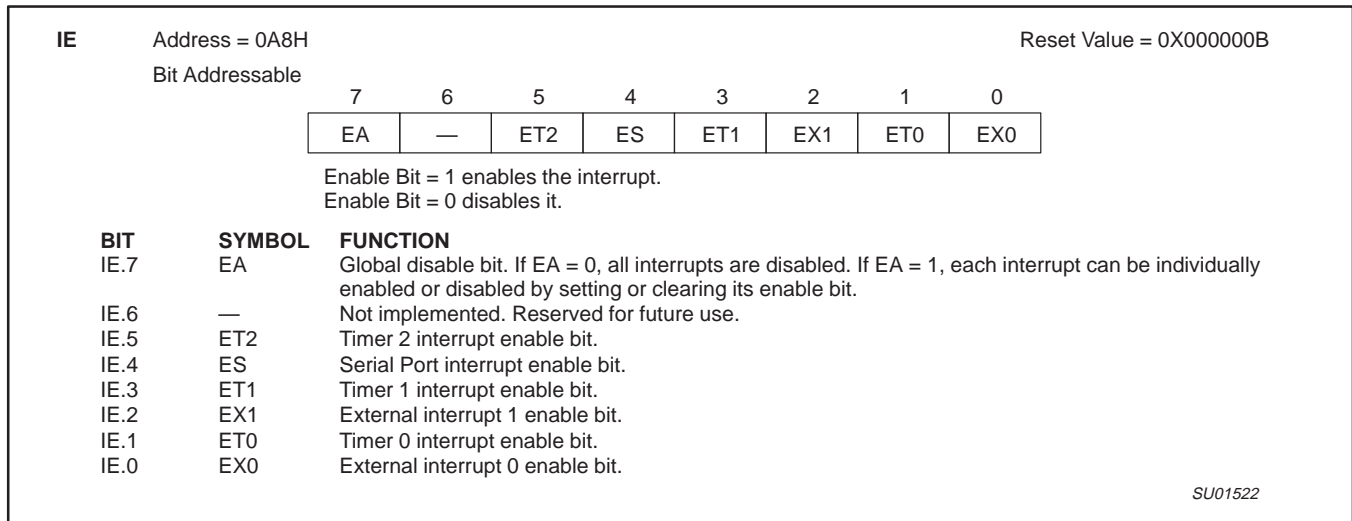


Figure 22. Interrupt Enable (IE) Register

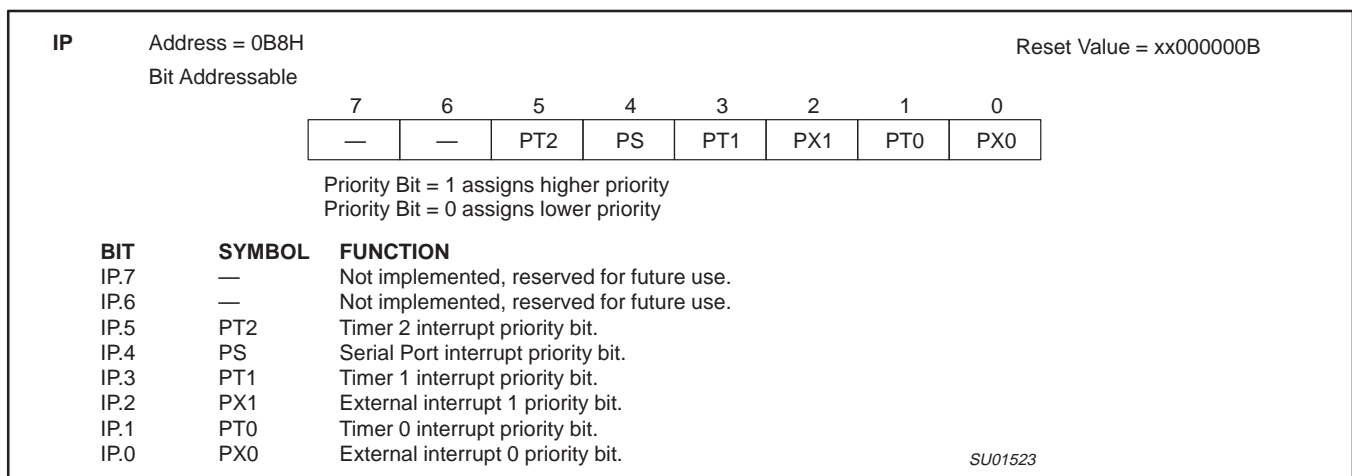


Figure 23. Interrupt Priority (IP) Register

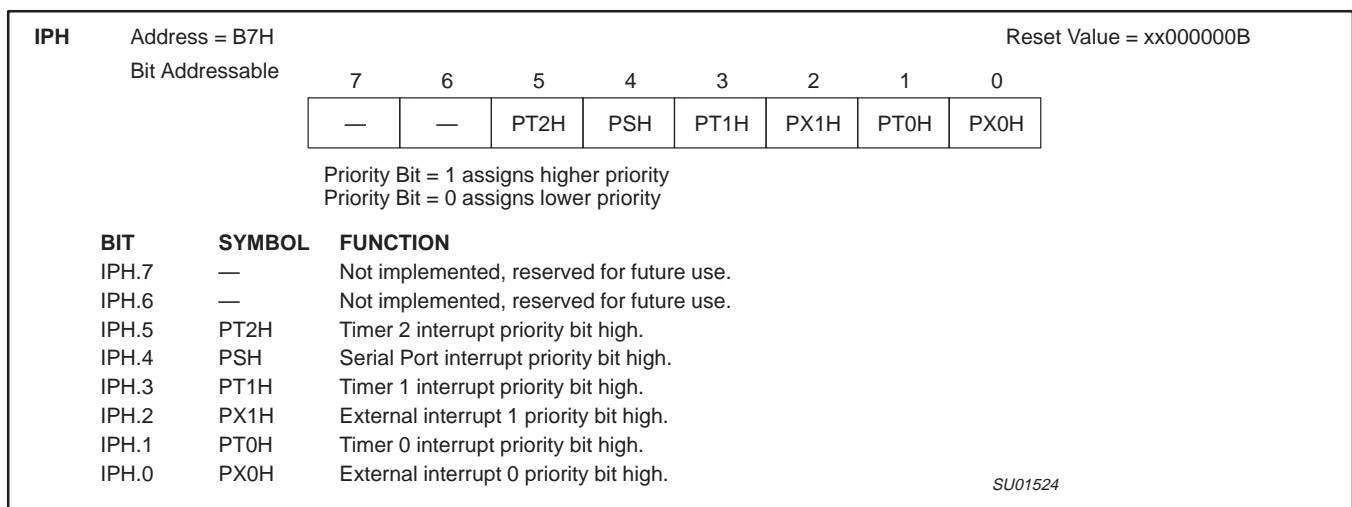


Figure 24. Interrupt Priority HIGH (IPH) Register



80C51 8-bit microcontroller family  
 4K/8K/16K/32K ROM/OTP, low voltage (2.7 to 5.5 V),  
 low power, high speed (30/33 MHz)

80C3xX2; 80C5xX2;  
 87C5xX2

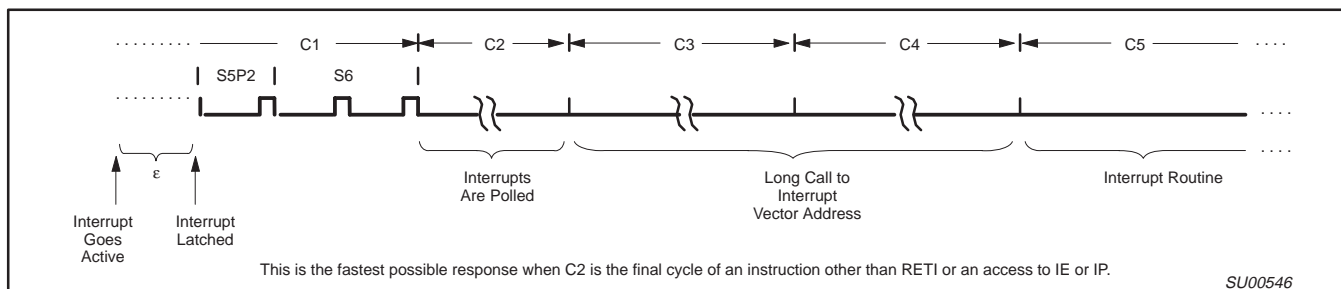


Figure 25. Interrupt Response Timing Diagram

The polling cycle/LCALL sequence is illustrated in Figure 25.

Note that if an interrupt of higher priority level goes active prior to S5P2 of the machine cycle labeled C3 in Figure 25, then in accordance with the above rules it will be vectored to during C5 and C6, without any instruction of the lower priority routine having been executed.

Thus the processor acknowledges an interrupt request by executing a hardware-generated LCALL to the appropriate servicing routine. In some cases it also clears the flag that generated the interrupt, and in other cases it doesn't. It never clears the Serial Port flag. This has to be done in the user's software. It clears an external interrupt flag (IE0 or IE1) only if it was transition-activated. The hardware-generated LCALL pushes the contents of the Program Counter on to the stack (but it does not save the PSW) and reloads the PC with an address that depends on the source of the interrupt being vectored to, as shown in Table 7.

Execution proceeds from that location until the RETI instruction is encountered. The RETI instruction informs the processor that this interrupt routine is no longer in progress, then pops the top two bytes from the stack and reloads the Program Counter. Execution of the interrupted program continues from where it left off.

Note that a simple RET instruction would also have returned execution to the interrupted program, but it would have left the interrupt control system thinking an interrupt was still in progress, making future interrupts impossible.

**External Interrupts**

The external sources can be programmed to be level-activated or transition-activated by setting or clearing bit IT1 or IT0 in Register TCON. If ITx = 0, external interrupt x is triggered by a detected low at the INTx pin. If ITx = 1, external interrupt x is edge triggered. In this mode if successive samples of the INTx pin show a high in one cycle and a low in the next cycle, interrupt request flag IEx in TCON is set. Flag bit IEx then requests the interrupt.

Since the external interrupt pins are sampled once each machine cycle, an input high or low should hold for at least 12 oscillator periods to ensure sampling. If the external interrupt is transition-activated, the external source has to hold the request pin high for at least one cycle, and then hold it low for at least one cycle. This is done to ensure that the transition is seen so that interrupt request flag IEx will be set. IEx will be automatically cleared by the CPU when the service routine is called.

If the external interrupt is level-activated, the external source has to hold the request active until the requested interrupt is actually generated. Then it has to deactivate the request before the interrupt

service routine is completed, or else another interrupt will be generated.

**Response Time**

The INT0 and INT1 levels are inverted and latched into IE0 and IE1 at S5P2 of every machine cycle. The values are not actually polled by the circuitry until the next machine cycle. If a request is active and conditions are right for it to be acknowledged, a hardware subroutine call to the requested service routine will be the next instruction to be executed. The call itself takes two cycles. Thus, a minimum of three complete machine cycles elapse between activation of an external interrupt request and the beginning of execution of the first instruction of the service routine. Figure 25 shows interrupt response timings.

A longer response time would result if the request is blocked by one of the 3 previously listed conditions. If an interrupt of equal or higher priority level is already in progress, the additional wait time obviously depends on the nature of the other interrupt's service routine. If the instruction in progress is not in its final cycle, the additional wait time cannot be more the 3 cycles, since the longest instructions (MUL and DIV) are only 4 cycles long, and if the instruction in progress is RETI or an access to IE or IP, the additional wait time cannot be more than 5 cycles (a maximum of one more cycle to complete the instruction in progress, plus 4 cycles to complete the next instruction if the instruction is MUL or DIV).

Thus, in a single-interrupt system, the response time is always more than 3 cycles and less than 9 cycles.

As previously mentioned, the derivatives described in this data sheet have a four-level interrupt structure. The corresponding registers are IE, IP and IPH. (See Figures 22, 23, and 24.) The IPH (Interrupt Priority High) register makes the four-level interrupt structure possible.

The function of the IPH SFR is simple and when combined with the IP SFR determines the priority of each interrupt. The priority of each interrupt is determined as shown in the following table:

PRIORITY BITS		INTERRUPT PRIORITY LEVEL
IPH.x	IP.x	
0	0	Level 0 (lowest priority)
0	1	Level 1
1	0	Level 2
1	1	Level 3 (highest priority)

80C51 8-bit microcontroller family  
 4K/8K/16K/32K ROM/OTP, low voltage (2.7 to 5.5 V),  
 low power, high speed (30/33 MHz)

80C3xX2; 80C5xX2;  
 87C5xX2

An interrupt will be serviced as long as an interrupt of equal or higher priority is not already being serviced. If an interrupt of equal or higher level priority is being serviced, the new interrupt will wait until it is finished before being serviced. If a lower priority level

interrupt is being serviced, it will be stopped and the new interrupt serviced. When the new interrupt is finished, the lower priority level interrupt that was stopped will be completed.

**Table 7. Interrupt Table**

SOURCE	POLLING PRIORITY	REQUEST BITS	HARDWARE CLEAR?	VECTOR ADDRESS
External interrupt 0	1	IE0	N (L) <sup>1</sup> Y (T) <sup>2</sup>	03H
Timer 0	2	TF0	Y	0BH
External interrupt 1	3	IE1	N (L) Y (T)	13H
Timer 1	4	TF1	Y	1BH
UART	5	RI, TI	N	23H
Timer 2	6	TF2, EXF2	N	2BH

**NOTES:**

- 1. L = Level activated
- 2. T = Transition activated

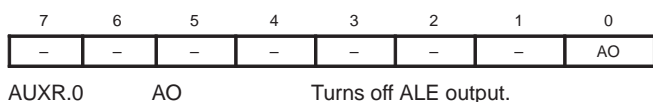
**Reduced EMI**

All port pins have slew rate controlled outputs. This is to limit noise generated by quickly switching output signals. The slew rate is factory set to approximately 10 ns rise and fall times.

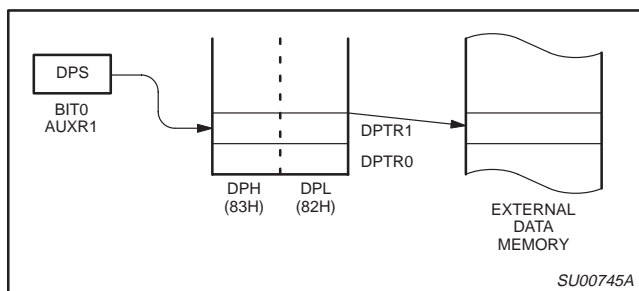
**Reduced EMI Mode**

The AO bit (AUXR.0) in the AUXR register when set disables the ALE output.

**AUXR (8EH)**



Note that bit 2 is not writable and is always read as a zero. This allows the DPS bit to be quickly toggled simply by executing an INC DPTR instruction without affecting the WUPD or LPEP bits.



**Figure 26.**

**Dual DPTR**

The dual DPTR structure (see Figure 26) enables a way to specify the address of an external data memory location. There are two 16-bit DPTR registers that address the external memory, and a single bit called DPS = AUXR1/bit0 that allows the program code to switch between them.

- New Register Name: AUXR1#
- SFR Address: A2H
- Reset Value: xxx000x0B

**AUXR1 (A2H)**



Where:

DPS = AUXR1/bit0 = Switches between DPTR0 and DPTR1.

Select Reg	DPS
DPTR0	0
DPTR1	1

The DPS bit status should be saved by software when switching between DPTR0 and DPTR1.

**DPTR Instructions**

The instructions that refer to DPTR refer to the data pointer that is currently selected using the AUXR1/bit0 register. The six instructions that use the DPTR are as follows:

- |                   |   |
|-------------------|---|
| INC DPTR          | Increments the data pointer by 1          |
| MOV DPTR, #data16 | Loads the DPTR with a 16-bit constant     |
| MOV A, @ A+DPTR   | Move code byte relative to DPTR to ACC    |
| MOVX A, @ DPTR    | Move external RAM (16-bit address) to ACC |
| MOVX @ DPTR, A    | Move ACC to external RAM (16-bit address) |
| JMP @ A + DPTR    | Jump indirect relative to DPTR            |

The data pointer can be accessed on a byte-by-byte basis by specifying the low or high byte in an instruction which accesses the SFRs. See application note AN458 for more details.

80C51 8-bit microcontroller family  
 4K/8K/16K/32K ROM/OTP, low voltage (2.7 to 5.5 V),  
 low power, high speed (30/33 MHz)

80C3xX2; 80C5xX2;  
 87C5xX2

**ABSOLUTE MAXIMUM RATINGS**<sup>1, 2, 3</sup>

PARAMETER	RATING	UNIT
Operating temperature under bias	0 to +70 or -40 to +85	°C
Storage temperature range	-65 to +150	°C
Voltage on $\overline{EA}/V_{PP}$ pin to $V_{SS}$	0 to +13.0	V
Voltage on any other pin to $V_{SS}$	-0.5 to +6.5	V
Maximum $I_{OL}$ per I/O pin	15	mA
Power dissipation (based on package heat transfer limitations, not device power consumption)	1.5	W

**NOTES:**

1. Stresses above those listed under Absolute Maximum Ratings may cause permanent damage to the device. This is a stress rating only and functional operation of the device at these or any conditions other than those described in the AC and DC Electrical Characteristics section of this specification is not implied.
2. This product includes circuitry specifically designed for the protection of its internal devices from the damaging effects of excessive static charge. Nonetheless, it is suggested that conventional precautions be taken to avoid applying greater than the rated maximum.
3. Parameters are valid over operating temperature range unless otherwise specified. All voltages are with respect to  $V_{SS}$  unless otherwise noted.

**AC ELECTRICAL CHARACTERISTICS**

$T_{amb} = 0^{\circ}\text{C}$  to  $+70^{\circ}\text{C}$  or  $-40^{\circ}\text{C}$  to  $+85^{\circ}\text{C}$

SYMBOL	FIGURE	PARAMETER	OPERATING MODE	POWER SUPPLY VOLTAGE	CLOCK FREQUENCY RANGE		UNIT
					MIN	MAX	
$1/t_{CLCL}$	31	Oscillator frequency	6-clock	5 V $\pm$ 10%	0	30	MHz
			6-clock	2.7 V to 5.5 V	0	16	MHz
			12-clock	5 V $\pm$ 10%	0	33	MHz
			12-clock	2.7 V to 5.5 V	0	16	MHz

80C51 8-bit microcontroller family  
4K/8K/16K/32K ROM/OTP, low voltage (2.7 to 5.5 V),  
low power, high speed (30/33 MHz)

80C3xX2; 80C5xX2;  
87C5xX2

## DC ELECTRICAL CHARACTERISTICS

$T_{amb} = 0\text{ }^{\circ}\text{C}$  to  $+70\text{ }^{\circ}\text{C}$  or  $-40\text{ }^{\circ}\text{C}$  to  $+85\text{ }^{\circ}\text{C}$ ;  $V_{CC} = 2.7\text{ V}$  to  $5.5\text{ V}$ ;  $V_{SS} = 0\text{ V}$  (16 MHz max. CPU clock)

SYMBOL	PARAMETER	TEST CONDITIONS	LIMITS			UNIT
			MIN	TYP <sup>1</sup>	MAX	
V <sub>IL</sub>	Input low voltage <sup>11</sup>	4.0 V < V <sub>CC</sub> < 5.5 V	-0.5	-	0.2 V <sub>CC</sub> -0.1	V
		2.7 V < V <sub>CC</sub> < 4.0 V	-0.5	-	0.7 V <sub>CC</sub>	V
V <sub>IH</sub>	Input high voltage (ports 0, 1, 2, 3, E <sub>A</sub> )	-	0.2 V <sub>CC</sub> +0.9	-	V <sub>CC</sub> +0.5	V
V <sub>IH1</sub>	Input high voltage, XTAL1, RST <sup>11</sup>	-	0.7 V <sub>CC</sub>	-	V <sub>CC</sub> +0.5	V
V <sub>OL</sub>	Output low voltage, ports 1, 2, <sup>8</sup>	V <sub>CC</sub> = 2.7 V; I <sub>OL</sub> = 1.6 mA <sup>2</sup>	-	-	0.4	V
V <sub>OL1</sub>	Output low voltage, port 0, ALE, PSEN <sup>8, 7</sup>	V <sub>CC</sub> = 2.7 V; I <sub>OL</sub> = 3.2 mA <sup>2</sup>	-	-	0.4	V
V <sub>OH</sub>	Output high voltage, ports 1, 2, 3 <sup>3</sup>	V <sub>CC</sub> = 2.7 V; I <sub>OH</sub> = -20 μA	V <sub>CC</sub> - 0.7	-	-	V
		V <sub>CC</sub> = 4.5 V; I <sub>OH</sub> = -30 μA	V <sub>CC</sub> - 0.7	-	-	V
V <sub>OH1</sub>	Output high voltage (port 0 in external bus mode), ALE <sup>9</sup> , PSEN <sup>3</sup>	V <sub>CC</sub> = 2.7 V; I <sub>OH</sub> = -3.2 mA	V <sub>CC</sub> - 0.7	-	-	V
I <sub>IL</sub>	Logical 0 input current, ports 1, 2, 3	V <sub>IN</sub> = 0.4 V	-1	-	-50	μA
I <sub>TL</sub>	Logical 1-to-0 transition current, ports 1, 2, 3 <sup>6</sup>	V <sub>IN</sub> = 2.0 V; See note 4	-	-	-650	μA
I <sub>LI</sub>	Input leakage current, port 0	0.45 < V <sub>IN</sub> < V <sub>CC</sub> - 0.3	-	-	±10	μA
I <sub>CC</sub>	Power supply current (see Figure 34 and Source Code): Active mode @ 16 MHz Idle mode @ 16 MHz Power-down mode or clock stopped (see Figure 30 for conditions) <sup>12</sup>	T <sub>amb</sub> = 0 °C to 70 °C  T <sub>amb</sub> = -40 °C to +85 °C				μA
				2	30	μA
				3	50	μA
V <sub>RAM</sub>	RAM keep-alive voltage	-	1.2	-		V
R <sub>RST</sub>	Internal reset pull-down resistor	-	40	-	225	kΩ
C <sub>IO</sub>	Pin capacitance <sup>10</sup> (except E <sub>A</sub> )	-	-	-	15	pF

### NOTES:

- Typical ratings are not guaranteed. Values listed are based on tests conducted on limited number of samples at room temperature.
- Capacitive loading on ports 0 and 2 may cause spurious noise to be superimposed on the V<sub>OL</sub>s of ALE and ports 1 and 3. The noise is due to external bus capacitance discharging into the port 0 and port 2 pins when these pins make 1-to-0 transitions during bus operations. In the worst cases (capacitive loading > 100 pF), the noise pulse on the ALE pin may exceed 0.8 V. In such cases, it may be desirable to qualify ALE with a Schmitt Trigger, or use an address latch with a Schmitt Trigger STROBE input. I<sub>OL</sub> can exceed these conditions provided that no single output sinks more than 5 mA and no more than two outputs exceed the test conditions.
- Capacitive loading on ports 0 and 2 may cause the V<sub>OH</sub> on ALE and PSEN to momentarily fall below the V<sub>CC</sub>-0.7 specification when the address bits are stabilizing.
- Pins of ports 1, 2 and 3 source a transition current when they are being externally driven from 1 to 0. The transition current reaches its maximum value when V<sub>IN</sub> is approximately 2 V.
- See Figures 36 through 39 for I<sub>CC</sub> test conditions and Figure 34 for I<sub>CC</sub> vs. Frequency  
12-clock mode characteristics:  
Active mode (operating): I<sub>CC</sub> = 1.0 mA + 0.9 mA × FREQ.[MHz]  
Active mode (reset): I<sub>CC</sub> = 7.0 mA + 0.5 mA × FREQ.[MHz]  
Idle mode: I<sub>CC</sub> = 1.0 mA + 0.18 mA × FREQ.[MHz]
- This value applies to T<sub>amb</sub> = 0 °C to +70 °C. For T<sub>amb</sub> = -40 °C to +85 °C, I<sub>TL</sub> = -750 μA.
- Load capacitance for port 0, ALE, and PSEN = 100 pF, load capacitance for all other outputs = 80 pF.
- Under steady state (non-transient) conditions, I<sub>OL</sub> must be externally limited as follows:  
Maximum I<sub>OL</sub> per port pin: 15 mA (\*NOTE: This is 85 °C specification.)  
Maximum I<sub>OL</sub> per 8-bit port: 26 mA  
Maximum total I<sub>OL</sub> for all outputs: 71 mA  
If I<sub>OL</sub> exceeds the test condition, V<sub>OL</sub> may exceed the related specification. Pins are not guaranteed to sink current greater than the listed test conditions.
- ALE is tested to V<sub>OH1</sub>, except when ALE is off then V<sub>OH</sub> is the voltage specification.
- Pin capacitance is characterized but not tested. Pin capacitance is less than 25 pF. Pin capacitance of ceramic package is less than 15 pF (except E<sub>A</sub> is 25 pF).
- To improve noise rejection a nominal 100 ns glitch rejection circuitry has been added to the RST pin, and a nominal 15 ns glitch rejection circuitry has been added to the INT0 and INT1 pins. Previous devices provided only an inherent 5 ns of glitch rejection.
- Power down mode for 3 V range: Commercial Temperature Range – typ. 0.5 μA, max. 20 μA; Industrial Temperature Range – typ. 1.0 μA, max. 30 μA;

80C51 8-bit microcontroller family  
4K/8K/16K/32K ROM/OTP, low voltage (2.7 to 5.5 V),  
low power, high speed (30/33 MHz)

80C3xX2; 80C5xX2;  
87C5xX2

## DC ELECTRICAL CHARACTERISTICS

$T_{amb} = 0\text{ }^{\circ}\text{C to }+70\text{ }^{\circ}\text{C or }-40\text{ }^{\circ}\text{C to }+85\text{ }^{\circ}\text{C}$ ;  $V_{CC} = 5\text{ V } \pm 10\%$ ;  $V_{SS} = 0\text{ V}$  (30/33 MHz max. CPU clock)

SYMBOL	PARAMETER	TEST CONDITIONS	LIMITS			UNIT
			MIN	TYP <sup>1</sup>	MAX	
$V_{IL}$	Input low voltage <sup>11</sup>	$4.5\text{ V} < V_{CC} < 5.5\text{ V}$	-0.5	-	$0.2 V_{CC} - 0.1$	V
$V_{IH}$	Input high voltage (ports 0, 1, 2, 3, $\overline{EA}$ )	-	$0.2 V_{CC} + 0.9$	-	$V_{CC} + 0.5$	V
$V_{IH1}$	Input high voltage, XTAL1, RST <sup>11</sup>	-	$0.7 V_{CC}$	-	$V_{CC} + 0.5$	V
$V_{OL}$	Output low voltage, ports 1, 2, 3 <sup>8</sup>	$V_{CC} = 4.5\text{ V}$ ; $I_{OL} = 1.6\text{ mA}^2$	-	-	0.4	V
$V_{OL1}$	Output low voltage, port 0, ALE, $\overline{PSEN}$ <sup>7, 8</sup>	$V_{CC} = 4.5\text{ V}$ ; $I_{OL} = 3.2\text{ mA}^2$	-	-	0.4	V
$V_{OH}$	Output high voltage, ports 1, 2, 3 <sup>3</sup>	$V_{CC} = 4.5\text{ V}$ ; $I_{OH} = -30\text{ }\mu\text{A}$	$V_{CC} - 0.7$	-	-	V
$V_{OH1}$	Output high voltage (port 0 in external bus mode), ALE <sup>9</sup> , $\overline{PSEN}$ <sup>3</sup>	$V_{CC} = 4.5\text{ V}$ ; $I_{OH} = -3.2\text{ mA}$	$V_{CC} - 0.7$	-	-	V
$I_{IL}$	Logical 0 input current, ports 1, 2, 3	$V_{IN} = 0.4\text{ V}$	-1	-	-50	$\mu\text{A}$
$I_{TL}$	Logical 1-to-0 transition current, ports 1, 2, 3 <sup>6</sup>	$V_{IN} = 2.0\text{ V}$ ; See note 4	-	-	-650	$\mu\text{A}$
$I_{LI}$	Input leakage current, port 0	$0.45 < V_{IN} < V_{CC} - 0.3$	-	-	$\pm 10$	$\mu\text{A}$
$I_{CC}$	Power supply current (see Figure 26): Active mode (see Note 5) Idle mode (see Note 5) Power-down mode or clock stopped (see Figure 39 for conditions)	$T_{amb} = 0\text{ }^{\circ}\text{C to }70\text{ }^{\circ}\text{C}$  $T_{amb} = -40\text{ }^{\circ}\text{C to }+85\text{ }^{\circ}\text{C}$	-	2 3	30 50	$\mu\text{A}$ $\mu\text{A}$
$V_{RAM}$	RAM keep-alive voltage	-	1.2	-	-	V
$R_{RST}$	Internal reset pull-down resistor	-	40	-	225	$\text{k}\Omega$
$C_{IO}$	Pin capacitance <sup>10</sup> (except $\overline{EA}$ )	-	-	-	15	pF

### NOTES:

- Typical ratings are not guaranteed. The values listed are at room temperature, 5 V.
- Capacitive loading on ports 0 and 2 may cause spurious noise to be superimposed on the  $V_{OL}$ s of ALE and ports 1 and 3. The noise is due to external bus capacitance discharging into the port 0 and port 2 pins when these pins make 1-to-0 transitions during bus operations. In the worst cases (capacitive loading > 100 pF), the noise pulse on the ALE pin may exceed 0.8 V. In such cases, it may be desirable to qualify ALE with a Schmitt Trigger, or use an address latch with a Schmitt Trigger STROBE input.  $I_{OL}$  can exceed these conditions provided that no single output sinks more than 5 mA and no more than two outputs exceed the test conditions.
- Capacitive loading on ports 0 and 2 may cause the  $V_{OH}$  on ALE and  $\overline{PSEN}$  to momentarily fall below the  $V_{CC} - 0.7$  specification when the address bits are stabilizing.
- Pins of ports 1, 2 and 3 source a transition current when they are being externally driven from 1 to 0. The transition current reaches its maximum value when  $V_{IN}$  is approximately 2 V.
- See Figures 36 through 39 for  $I_{CC}$  test conditions and Figure 34 for  $I_{CC}$  vs. Frequency.  
12-clock mode characteristics:  
Active mode (operating):  $I_{CC(MAX)} = 1.0\text{ mA} + 0.9\text{ mA} \times \text{FREQ.}[\text{MHz}]$   
Active mode (reset):  $I_{CC(MAX)} = 7.0\text{ mA} + 0.5\text{ mA} \times \text{FREQ.}[\text{MHz}]$   
Idle mode:  $I_{CC(MAX)} = 1.0\text{ mA} + 0.18\text{ mA} \times \text{FREQ.}[\text{MHz}]$
- This value applies to  $T_{amb} = 0\text{ }^{\circ}\text{C to }+70\text{ }^{\circ}\text{C}$ . For  $T_{amb} = -40\text{ }^{\circ}\text{C to }+85\text{ }^{\circ}\text{C}$ ,  $I_{TL} = -750\text{ }\mu\text{A}$ .
- Load capacitance for port 0, ALE, and  $\overline{PSEN} = 100\text{ pF}$ , load capacitance for all other outputs = 80 pF.
- Under steady state (non-transient) conditions,  $I_{OL}$  must be externally limited as follows:  
Maximum  $I_{OL}$  per port pin: 15 mA (\*NOTE: This is 85  $^{\circ}\text{C}$  specification.)  
Maximum  $I_{OL}$  per 8-bit port: 26 mA  
Maximum total  $I_{OL}$  for all outputs: 71 mA  
If  $I_{OL}$  exceeds the test condition,  $V_{OL}$  may exceed the related specification. Pins are not guaranteed to sink current greater than the listed test conditions.
- ALE is tested to  $V_{OH1}$ , except when ALE is off then  $V_{OH}$  is the voltage specification.
- Pin capacitance is characterized but not tested. Pin capacitance is less than 25 pF. Pin capacitance of ceramic package is less than 15 pF (except  $\overline{EA}$  is 25 pF).
- To improve noise rejection a nominal 100 ns glitch rejection circuitry has been added to the RST pin, and a nominal 15 ns glitch rejection circuitry has been added to the INT0 and INT1 pins. Previous devices provided only an inherent 5 ns of glitch rejection.

80C51 8-bit microcontroller family  
4K/8K/16K/32K ROM/OTP, low voltage (2.7 to 5.5 V),  
low power, high speed (30/33 MHz)

80C3xX2; 80C5xX2;  
87C5xX2

### AC ELECTRICAL CHARACTERISTICS (12-CLOCK MODE, 5 V ±10% OPERATION)

$T_{amb} = 0\text{ }^{\circ}\text{C to }+70\text{ }^{\circ}\text{C or }-40\text{ }^{\circ}\text{C to }+85\text{ }^{\circ}\text{C}$ ;  $V_{CC} = 5\text{ V } \pm 10\%$ ,  $V_{SS} = 0\text{ V}^{1,2,3,4}$

Symbol	Figure	Parameter	Limits		16 MHz Clock		Unit
			MIN	MAX	MIN	MAX	
$1/t_{CLCL}$	31	Oscillator frequency	0	33			MHz
$t_{LHLL}$	27	ALE pulse width	$2 t_{CLCL} - 8$		117		ns
$t_{AVLL}$	27	Address valid to ALE low	$t_{CLCL} - 13$		49.5		ns
$t_{LLAX}$	27	Address hold after ALE low	$t_{CLCL} - 20$		42.5		ns
$t_{LLIV}$	27	ALE low to valid instruction in		$4 t_{CLCL} - 35$		215	ns
$t_{LLPL}$	27	ALE low to PSEN low	$t_{CLCL} - 10$		52.5		ns
$t_{PLPH}$	27	PSEN pulse width	$3 t_{CLCL} - 10$		177.5		ns
$t_{PLIV}$	27	PSEN low to valid instruction in		$3 t_{CLCL} - 35$		152.5	ns
$t_{PXIX}$	27	Input instruction hold after PSEN	0		0		ns
$t_{PXIZ}$	27	Input instruction float after PSEN		$t_{CLCL} - 10$		52.5	ns
$t_{AVIV}$	27	Address to valid instruction in		$5 t_{CLCL} - 35$		277.5	ns
$t_{PLAZ}$	27	PSEN low to address float		10		10	ns
<b>Data Memory</b>							
$t_{RLRH}$	28	$\overline{RD}$ pulse width	$6 t_{CLCL} - 20$		355		ns
$t_{WLWH}$	29	$\overline{WR}$ pulse width	$6 t_{CLCL} - 20$		355		ns
$t_{RLDV}$	28	$\overline{RD}$ low to valid data in		$5 t_{CLCL} - 35$		277.5	ns
$t_{RHDX}$	28	Data hold after $\overline{RD}$	0		0		ns
$t_{RHDZ}$	28	Data float after $\overline{RD}$		$2 t_{CLCL} - 10$		115	ns
$t_{LLDV}$	28	ALE low to valid data in		$8 t_{CLCL} - 35$		465	ns
$t_{AVDV}$	28	Address to valid data in		$9 t_{CLCL} - 35$		527.5	ns
$t_{LLWL}$	28, 29	ALE low to $\overline{RD}$ or $\overline{WR}$ low	$3 t_{CLCL} - 15$	$3 t_{CLCL} + 15$	172.5	202.5	ns
$t_{AVWL}$	28, 29	Address valid to $\overline{WR}$ low or $\overline{RD}$ low	$4 t_{CLCL} - 15$		235		ns
$t_{QVWX}$	29	Data valid to $\overline{WR}$ transition	$t_{CLCL} - 25$		37.5		ns
$t_{WHQX}$	29	Data hold after $\overline{WR}$	$t_{CLCL} - 15$		47.5		ns
$t_{QVWH}$	29	Data valid to $\overline{WR}$ high	$7 t_{CLCL} - 5$		432.5		ns
$t_{RLAZ}$	28	$\overline{RD}$ low to address float		0		0	ns
$t_{WHLH}$	28, 29	$\overline{RD}$ or $\overline{WR}$ high to ALE high	$t_{CLCL} - 10$	$t_{CLCL} + 10$	52.5	72.5	ns
<b>External Clock</b>							
$t_{CHCX}$	31	High time	$0.32 t_{CLCL}$	$t_{CLCL} - t_{CLCX}$			ns
$t_{CLCX}$	31	Low time	$0.32 t_{CLCL}$	$t_{CLCL} - t_{CHCX}$			ns
$t_{CLCH}$	31	Rise time		5			ns
$t_{CHCL}$	31	Fall time		5			ns
<b>Shift register</b>							
$t_{XLXL}$	30	Serial port clock cycle time	$12 t_{CLCL}$		750		ns
$t_{QVXH}$	30	Output data setup to clock rising edge	$10 t_{CLCL} - 25$		600		ns
$t_{XHQX}$	30	Output data hold after clock rising edge	$2 t_{CLCL} - 15$		110		ns
$t_{XHDX}$	30	Input data hold after clock rising edge	0		0		ns
$t_{XHDX}$	30	Clock rising edge to input data valid		$10 t_{CLCL} - 133$		492	ns

#### NOTES:

- Parameters are valid over operating temperature range unless otherwise specified.
- Load capacitance for port 0, ALE, and PSEN = 100 pF, load capacitance for all outputs = 80 pF
- Interfacing the microcontroller to devices with float time up to 45 ns is permitted. This limited bus contention will not cause damage to port 0 drivers.
- Parts are guaranteed by design to operate down to 0 Hz.



80C51 8-bit microcontroller family  
4K/8K/16K/32K ROM/OTP, low voltage (2.7 to 5.5 V),  
low power, high speed (30/33 MHz)

80C3xX2; 80C5xX2;  
87C5xX2

### AC ELECTRICAL CHARACTERISTICS (12-CLOCK MODE, 2.7 V TO 5.5 V OPERATION)

$T_{amb} = 0\text{ }^{\circ}\text{C to }+70\text{ }^{\circ}\text{C or }-40\text{ }^{\circ}\text{C to }+85\text{ }^{\circ}\text{C}$ ;  $V_{CC} = 2.7\text{ V to }5.5\text{ V}$ ,  $V_{SS} = 0\text{ V}^{1,2,3,4}$

Symbol	Figure	Parameter	Limits		16 MHz Clock		Unit
			MIN	MAX	MIN	MAX	
$1/t_{CLCL}$	31	Oscillator frequency	0	16			MHz
$t_{LHLL}$	27	ALE pulse width	$2t_{CLCL}-10$		115		ns
$t_{AVLL}$	27	Address valid to ALE low	$t_{CLCL}-15$		47.5		ns
$t_{LLAX}$	27	Address hold after ALE low	$t_{CLCL}-25$		37.5		ns
$t_{LLIV}$	27	ALE low to valid instruction in		$4t_{CLCL}-55$		195	ns
$t_{LLPL}$	27	ALE low to PSEN low	$t_{CLCL}-15$		47.5		ns
$t_{PLPH}$	27	PSEN pulse width	$3t_{CLCL}-15$		172.5		ns
$t_{PLIV}$	27	PSEN low to valid instruction in		$3t_{CLCL}-55$		132.5	ns
$t_{PXIX}$	27	Input instruction hold after PSEN	0		0		ns
$t_{PXIZ}$	27	Input instruction float after PSEN		$t_{CLCL}-10$		52.5	ns
$t_{AVIV}$	27	Address to valid instruction in		$5t_{CLCL}-50$		262.5	ns
$t_{PLAZ}$	27	PSEN low to address float		10		10	ns
<b>Data Memory</b>							
$t_{RLRH}$	28	$\overline{RD}$ pulse width	$6t_{CLCL}-25$		350		ns
$t_{WLWH}$	29	$\overline{WR}$ pulse width	$6t_{CLCL}-25$		350		ns
$t_{RLDV}$	28	$\overline{RD}$ low to valid data in		$5t_{CLCL}-50$		262.5	ns
$t_{RHDX}$	28	Data hold after $\overline{RD}$	0		0		ns
$t_{RHDZ}$	28	Data float after $\overline{RD}$		$2t_{CLCL}-20$		105	ns
$t_{LLDV}$	28	ALE low to valid data in		$8t_{CLCL}-55$		445	ns
$t_{AVDV}$	28	Address to valid data in		$9t_{CLCL}-50$		512.5	ns
$t_{LLWL}$	28, 29	ALE low to $\overline{RD}$ or $\overline{WR}$ low	$3t_{CLCL}-20$	$3t_{CLCL}+20$	167.5	207.5	ns
$t_{AVWL}$	28, 29	Address valid to $\overline{WR}$ low or $\overline{RD}$ low	$4t_{CLCL}-20$		230		ns
$t_{QVWX}$	29	Data valid to $\overline{WR}$ transition	$t_{CLCL}-30$		32.5		ns
$t_{WHQX}$	29	Data hold after $\overline{WR}$	$t_{CLCL}-20$		42.5		ns
$t_{QVWH}$	29	Data valid to $\overline{WR}$ high	$7t_{CLCL}-10$		427.5		ns
$t_{RLAZ}$	28	$\overline{RD}$ low to address float		0		0	ns
$t_{WHLH}$	28, 29	$\overline{RD}$ or $\overline{WR}$ high to ALE high	$t_{CLCL}-15$	$t_{CLCL}+15$	47.5	77.5	ns
<b>External Clock</b>							
$t_{CHCX}$	31	High time	$0.32t_{CLCL}$	$t_{CLCL}-t_{CLCX}$			ns
$t_{CLCX}$	31	Low time	$0.32t_{CLCL}$	$t_{CLCL}-t_{CHCX}$			ns
$t_{CLCH}$	31	Rise time		5			ns
$t_{CHCL}$	31	Fall time		5			ns
<b>Shift register</b>							
$t_{XLXL}$	30	Serial port clock cycle time	$12t_{CLCL}$		750		ns
$t_{QVXH}$	30	Output data setup to clock rising edge	$10t_{CLCL}-25$		600		ns
$t_{XHQX}$	30	Output data hold after clock rising edge	$2t_{CLCL}-15$		110		ns
$t_{XHDX}$	30	Input data hold after clock rising edge	0		0		ns
$t_{XHDV}$	30	Clock rising edge to input data valid		$10t_{CLCL}-133$		492	ns

#### NOTES:

- Parameters are valid over operating temperature range unless otherwise specified.
- Load capacitance for port 0, ALE, and PSEN = 100 pF, load capacitance for all outputs = 80 pF
- Interfacing the microcontroller to devices with float time up to 45 ns is permitted. This limited bus contention will not cause damage to port 0 drivers.
- Parts are guaranteed by design to operate down to 0 Hz.

80C51 8-bit microcontroller family  
4K/8K/16K/32K ROM/OTP, low voltage (2.7 to 5.5 V),  
low power, high speed (30/33 MHz)

80C3xX2; 80C5xX2;  
87C5xX2

### AC ELECTRICAL CHARACTERISTICS (6-CLOCK MODE, 5 V ±10% OPERATION)

$T_{amb} = 0\text{ }^{\circ}\text{C to }+70\text{ }^{\circ}\text{C or }-40\text{ }^{\circ}\text{C to }+85\text{ }^{\circ}\text{C}$ ;  $V_{CC} = 5\text{ V } \pm 10\%$ ,  $V_{SS} = 0\text{ V}^{1,2,3,4,5}$

Symbol	Figure	Parameter	Limits		16 MHz Clock		Unit
			MIN	MAX	MIN	MAX	
$1/t_{CLCL}$	31	Oscillator frequency	0	30			MHz
$t_{LHLL}$	27	ALE pulse width	$t_{CLCL}-8$		54.5		ns
$t_{AVLL}$	27	Address valid to ALE low	$0.5 t_{CLCL}-13$		18.25		ns
$t_{LLAX}$	27	Address hold after ALE low	$0.5 t_{CLCL}-20$		11.25		ns
$t_{LLIV}$	27	ALE low to valid instruction in		$2 t_{CLCL}-35$		90	ns
$t_{LLPL}$	27	ALE low to PSEN low	$0.5 t_{CLCL}-10$		21.25		ns
$t_{PLPH}$	27	PSEN pulse width	$1.5 t_{CLCL}-10$		83.75		ns
$t_{PLIV}$	27	PSEN low to valid instruction in		$1.5 t_{CLCL}-35$		58.75	ns
$t_{PXIX}$	27	Input instruction hold after PSEN	0		0		ns
$t_{PXIZ}$	27	Input instruction float after PSEN		$0.5 t_{CLCL}-10$		21.25	ns
$t_{AVIV}$	27	Address to valid instruction in		$2.5 t_{CLCL}-35$		121.25	ns
$t_{PLAZ}$	27	PSEN low to address float		10		10	ns
<b>Data Memory</b>							
$t_{RLRH}$	28	RD pulse width	$3 t_{CLCL}-20$		167.5		ns
$t_{WLWH}$	29	WR pulse width	$3 t_{CLCL}-20$		167.5		ns
$t_{RLDV}$	28	RD low to valid data in		$2.5 t_{CLCL}-35$		121.25	ns
$t_{RHDX}$	28	Data hold after RD	0		0		ns
$t_{RHDZ}$	28	Data float after RD		$t_{CLCL}-10$		52.5	ns
$t_{LLDV}$	28	ALE low to valid data in		$4 t_{CLCL}-35$		215	ns
$t_{ADV}$	28	Address to valid data in		$4.5 t_{CLCL}-35$		246.25	ns
$t_{LLWL}$	28, 29	ALE low to RD or WR low	$1.5 t_{CLCL}-15$	$1.5 t_{CLCL}+15$	78.75	108.75	ns
$t_{AVWL}$	28, 29	Address valid to WR low or RD low	$2 t_{CLCL}-15$		110		ns
$t_{QVWX}$	29	Data valid to WR transition	$0.5 t_{CLCL}-25$		6.25		ns
$t_{WHQX}$	29	Data hold after WR	$0.5 t_{CLCL}-15$		16.25		ns
$t_{QVWH}$	29	Data valid to WR high	$3.5 t_{CLCL}-5$		213.75		ns
$t_{RLAZ}$	28	RD low to address float		0		0	ns
$t_{WHLH}$	28, 29	RD or WR high to ALE high	$0.5 t_{CLCL}-10$	$0.5 t_{CLCL}+10$	21.25	41.25	ns
<b>External Clock</b>							
$t_{CHCX}$	31	High time	$0.4 t_{CLCL}$	$t_{CLCL}-t_{CLCX}$			ns
$t_{CLCX}$	31	Low time	$0.4 t_{CLCL}$	$t_{CLCL}-t_{CHCX}$			ns
$t_{CLCH}$	31	Rise time		5			ns
$t_{CHCL}$	31	Fall time		5			ns
<b>Shift register</b>							
$t_{XLXL}$	30	Serial port clock cycle time	$6 t_{CLCL}$		375		ns
$t_{QVXH}$	30	Output data setup to clock rising edge	$5 t_{CLCL}-25$		287.5		ns
$t_{XHQX}$	30	Output data hold after clock rising edge	$t_{CLCL}-15$		47.5		ns
$t_{XHDX}$	30	Input data hold after clock rising edge	0		0		ns
$t_{XHDV}$	30	Clock rising edge to input data valid		$5 t_{CLCL}-133$		179.5	ns

#### NOTES:

- Parameters are valid over operating temperature range unless otherwise specified.
- Load capacitance for port 0, ALE, and PSEN=100 pF, load capacitance for all outputs = 80 pF
- Interfacing the microcontroller to devices with float time up to 45ns is permitted. This limited bus contention will not cause damage to port 0 drivers.
- Parts are guaranteed by design to operate down to 0 Hz.
- Data shown in the table are the best mathematical models for the set of measured values obtained in tests. If a particular parameter calculated at a customer specified frequency has a negative value, it should be considered equal to zero.



80C51 8-bit microcontroller family  
4K/8K/16K/32K ROM/OTP, low voltage (2.7 to 5.5 V),  
low power, high speed (30/33 MHz)

80C3xX2; 80C5xX2;  
87C5xX2

### AC ELECTRICAL CHARACTERISTICS (6-CLOCK MODE, 2.7 V TO 5.5 V OPERATION)

$T_{amb} = 0\text{ }^{\circ}\text{C to }+70\text{ }^{\circ}\text{C or }-40\text{ }^{\circ}\text{C to }+85\text{ }^{\circ}\text{C}$ ;  $V_{CC}=2.7\text{ V to }5.5\text{ V}$ ,  $V_{SS} = 0\text{ V}$ <sup>1,2,3,4,5</sup>

Symbol	Figure	Parameter	Limits		16 MHz Clock		Unit
			MIN	MAX	MIN	MAX	
$1/t_{CLCL}$	31	Oscillator frequency	0	16			MHz
$t_{LHLL}$	27	ALE pulse width	$t_{CLCL}-10$		52.5		ns
$t_{AVLL}$	27	Address valid to ALE low	$0.5 t_{CLCL}-15$		16.25		ns
$t_{LLAX}$	27	Address hold after ALE low	$0.5 t_{CLCL}-25$		6.25		ns
$t_{LLIV}$	27	ALE low to valid instruction in		$2 t_{CLCL}-55$		70	ns
$t_{LLPL}$	27	ALE low to PSEN low	$0.5 t_{CLCL}-15$		16.25		ns
$t_{PLPH}$	27	PSEN pulse width	$1.5 t_{CLCL}-15$		78.75		ns
$t_{PLIV}$	27	PSEN low to valid instruction in		$1.5 t_{CLCL}-55$		38.75	ns
$t_{PXIX}$	27	Input instruction hold after PSEN	0		0		ns
$t_{PXIZ}$	27	Input instruction float after PSEN		$0.5 t_{CLCL}-10$		21.25	ns
$t_{AVIV}$	27	Address to valid instruction in		$2.5 t_{CLCL}-50$		101.25	ns
$t_{PLAZ}$	27	PSEN low to address float		10		10	ns
<b>Data Memory</b>							
$t_{RLRH}$	28	RD pulse width	$3 t_{CLCL}-25$		162.5		ns
$t_{WLWH}$	29	WR pulse width	$3 t_{CLCL}-25$		162.5		ns
$t_{RLDV}$	28	RD low to valid data in		$2.5 t_{CLCL}-50$		106.25	ns
$t_{RHDX}$	28	Data hold after RD	0		0		ns
$t_{RHDZ}$	28	Data float after RD		$t_{CLCL}-20$		42.5	ns
$t_{LLDV}$	28	ALE low to valid data in		$4 t_{CLCL}-55$		195	ns
$t_{ADV}$	28	Address to valid data in		$4.5 t_{CLCL}-50$		231.25	ns
$t_{LLWL}$	28, 29	ALE low to RD or WR low	$1.5 t_{CLCL}-20$	$1.5 t_{CLCL}+20$	73.75	113.75	ns
$t_{AVWL}$	28, 29	Address valid to WR low or RD low	$2 t_{CLCL}-20$		105		ns
$t_{QVWX}$	29	Data valid to WR transition	$0.5 t_{CLCL}-30$		1.25		ns
$t_{WHQX}$	29	Data hold after WR	$0.5 t_{CLCL}-20$		11.25		ns
$t_{QVWH}$	29	Data valid to WR high	$3.5 t_{CLCL}-10$		208.75		ns
$t_{RLAZ}$	28	RD low to address float		0		0	ns
$t_{WHLH}$	28, 29	RD or WR high to ALE high	$0.5 t_{CLCL}-15$	$0.5 t_{CLCL}+15$	16.25	46.25	ns
<b>External Clock</b>							
$t_{CHCX}$	31	High time	$0.4 t_{CLCL}$	$t_{CLCL}-t_{CLCX}$			ns
$t_{CLCX}$	31	Low time	$0.4 t_{CLCL}$	$t_{CLCL}-t_{CHCX}$			ns
$t_{CLCH}$	31	Rise time		5			ns
$t_{CHCL}$	31	Fall time		5			ns
<b>Shift register</b>							
$t_{XLXL}$	30	Serial port clock cycle time	$6 t_{CLCL}$		375		ns
$t_{QVXH}$	30	Output data setup to clock rising edge	$5 t_{CLCL}-25$		287.5		ns
$t_{XHQX}$	30	Output data hold after clock rising edge	$t_{CLCL}-15$		47.5		ns
$t_{XHDX}$	30	Input data hold after clock rising edge	0		0		ns
$t_{XHDV}$	30	Clock rising edge to input data valid		$5 t_{CLCL}-133$		179.5	ns

#### NOTES:

- Parameters are valid over operating temperature range unless otherwise specified.
- Load capacitance for port 0, ALE, and PSEN=100 pF, load capacitance for all outputs = 80 pF
- Interfacing the microcontroller to devices with float time up to 45ns is permitted. This limited bus contention will not cause damage to port 0 drivers.
- Parts are guaranteed by design to operate down to 0 Hz.
- Data shown in the table are the best mathematical models for the set of measured values obtained in tests. If a particular parameter calculated at a customer specified frequency has a negative value, it should be considered equal to zero.

80C51 8-bit microcontroller family  
 4K/8K/16K/32K ROM/OTP, low voltage (2.7 to 5.5 V),  
 low power, high speed (30/33 MHz)

80C3xX2; 80C5xX2;  
 87C5xX2

**EXPLANATION OF THE AC SYMBOLS**

Each timing symbol has five characters. The first character is always 't' (= time). The other characters, depending on their positions, indicate the name of a signal or the logical status of that signal. The designations are:

- A – Address
- C – Clock
- D – Input data
- H – Logic level high
- I – Instruction (program memory contents)
- L – Logic level low, or ALE

- P –  $\overline{\text{PSEN}}$
- Q – Output data
- R –  $\overline{\text{RD}}$  signal
- t – Time
- V – Valid
- W –  $\overline{\text{WR}}$  signal
- X – No longer a valid logic level
- Z – Float

**Examples:**  $t_{AVLL}$  = Time for address valid to ALE low.  
 $t_{LLPL}$  = Time for ALE low to  $\overline{\text{PSEN}}$  low.

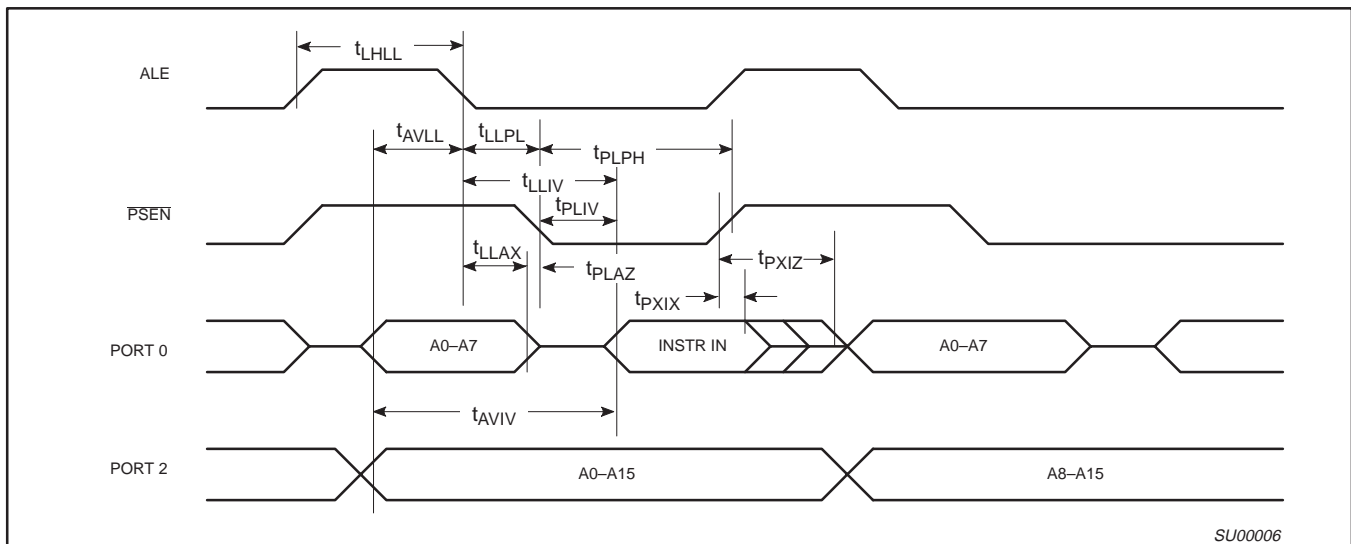


Figure 27. External Program Memory Read Cycle

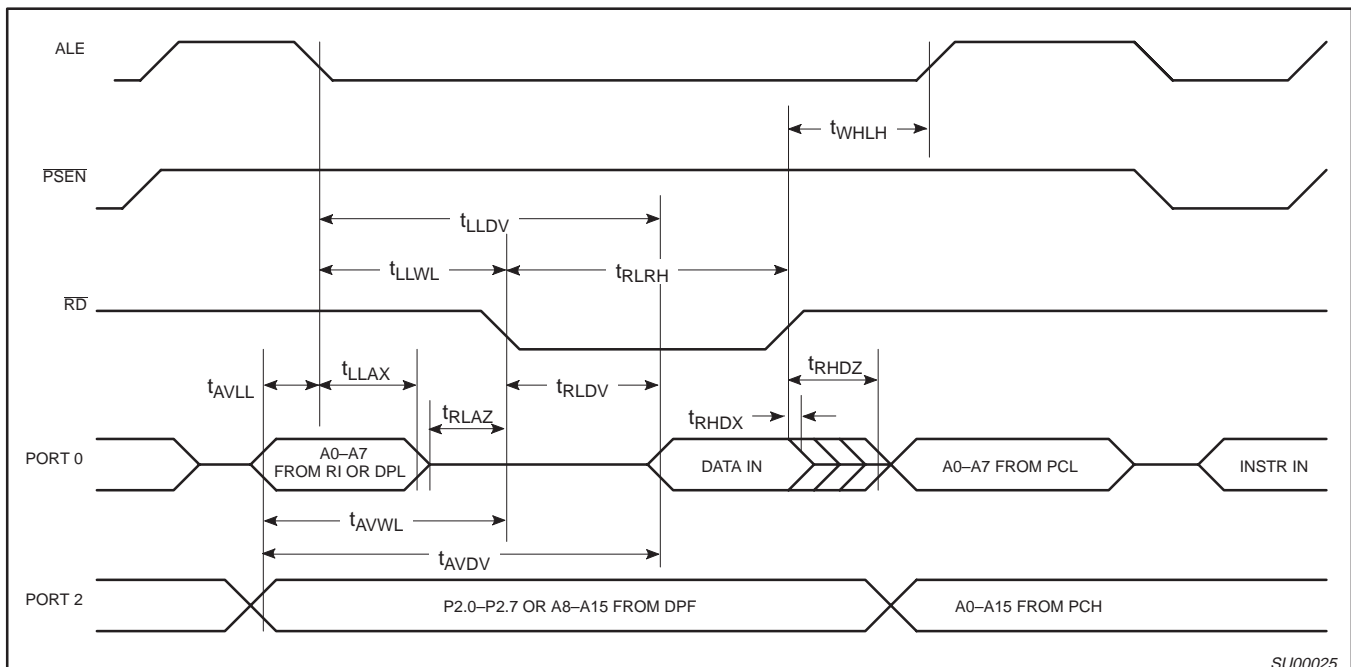


Figure 28. External Data Memory Read Cycle

80C51 8-bit microcontroller family  
 4K/8K/16K/32K ROM/OTP, low voltage (2.7 to 5.5 V),  
 low power, high speed (30/33 MHz)

80C3xX2; 80C5xX2;  
 87C5xX2

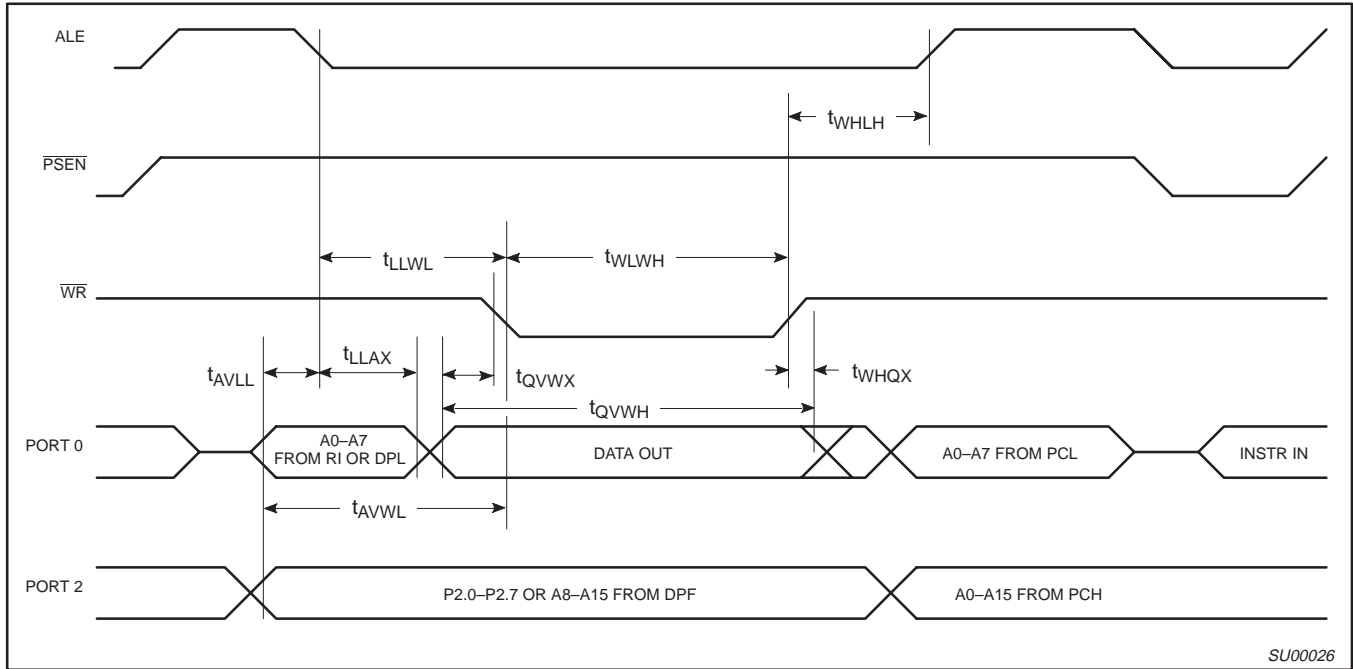


Figure 29. External Data Memory Write Cycle

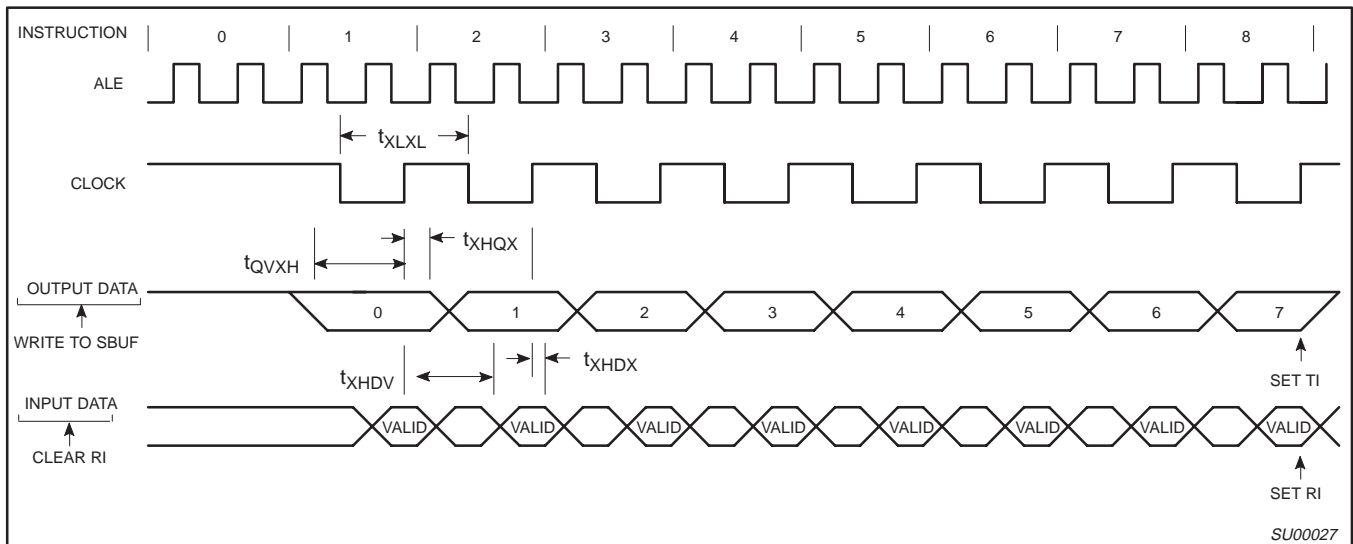


Figure 30. Shift Register Mode Timing



Figure 31. External Clock Drive

80C51 8-bit microcontroller family  
 4K/8K/16K/32K ROM/OTP, low voltage (2.7 to 5.5 V),  
 low power, high speed (30/33 MHz)

80C3xX2; 80C5xX2;  
 87C5xX2

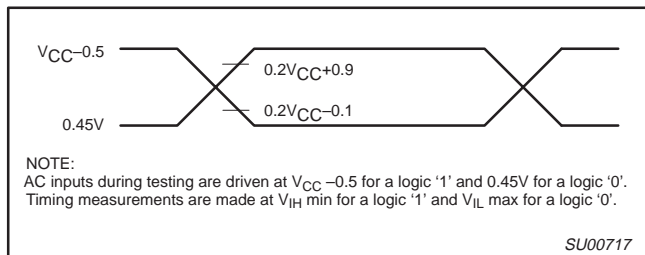


Figure 32. AC Testing Input/Output

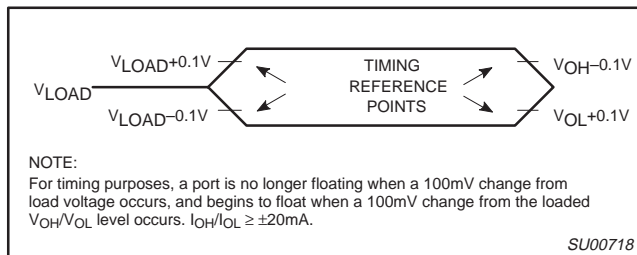


Figure 33. Float Waveform

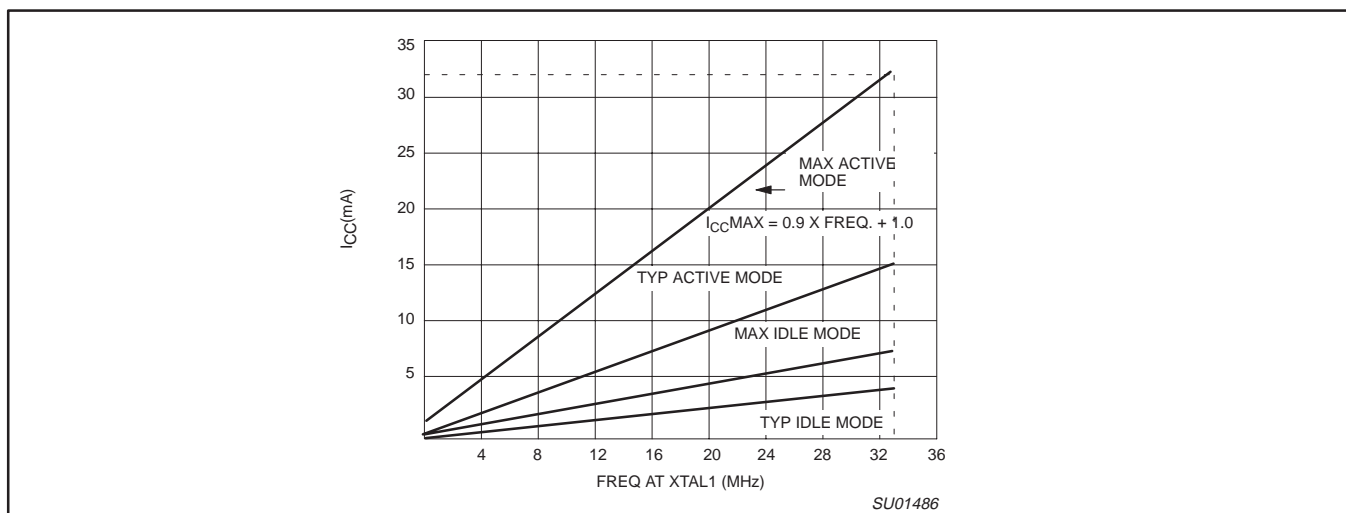


Figure 34.  $I_{CC}$  vs. FREQ for 12-clock operation  
 Valid only within frequency specifications of the specified operating voltage

```

/*
##      as31 version V2.10          /*js*/
##
##
##      source file:  idd_ljmpl.asm
##      list file:   idd_ljmpl.lst   created Fri Apr 20 15:51:40 2001
##
#####
#0000      # AUXR equ 08Eh
#0000      # CKCON equ 08Fh
#
#0000      # org 0
#
# LJMP_LABEL:
0000 /75;/8E;/01;      #          MOV      AUXR,#001h   ; turn off ALE
0003 /02;/FF;/FD;      #          LJMP    LJMP_LABEL ; jump to end of address space
0005 /00;              #          NOP
#
#FFFD      # org 0fffdh
#
# LJMP_LABEL:
#
FFFD /02;/FD;FF;      #          LJMP LJMP_LABEL
# ;          NOP
#
*/
    
```

Figure 35. Source code used in measuring  $I_{DD}$  operational

80C51 8-bit microcontroller family  
 4K/8K/16K/32K ROM/OTP, low voltage (2.7 to 5.5 V),  
 low power, high speed (30/33 MHz)

80C3xX2; 80C5xX2;  
 87C5xX2

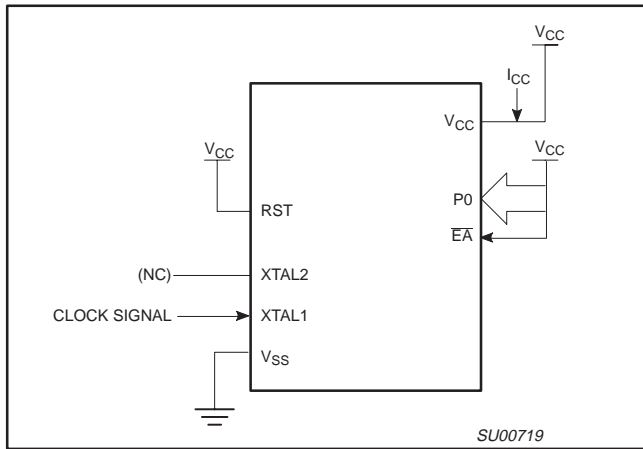


Figure 36.  $I_{CC}$  Test Condition, Active Mode  
 All other pins are disconnected

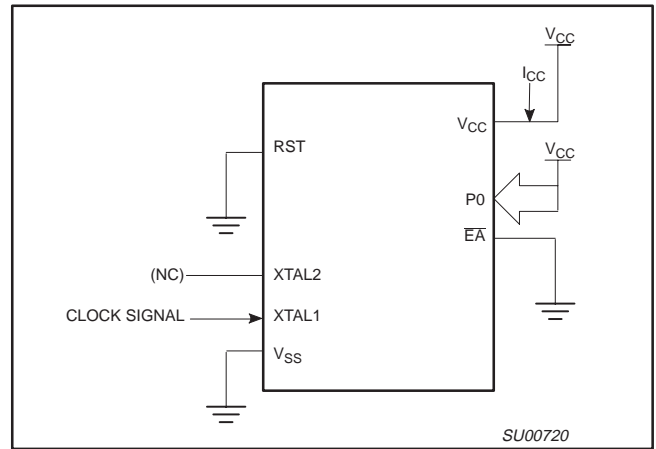


Figure 37.  $I_{CC}$  Test Condition, Idle Mode  
 All other pins are disconnected

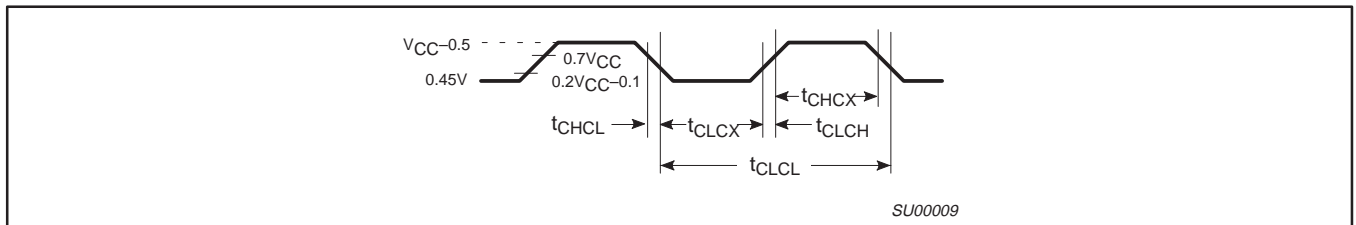


Figure 38. Clock Signal Waveform for  $I_{CC}$  Tests in Active and Idle Modes  
 $t_{CLCH} = t_{CHCL} = 5ns$

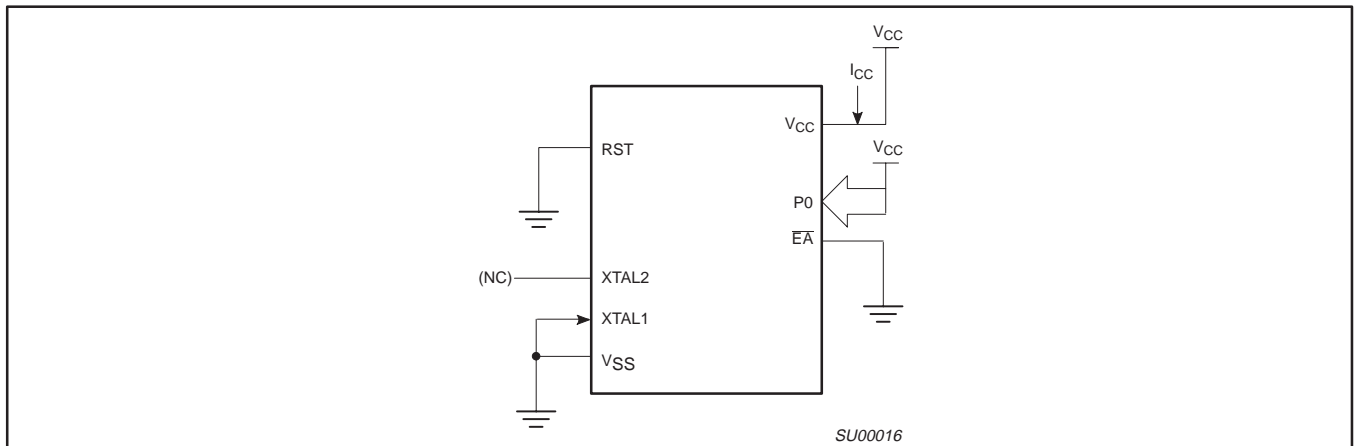


Figure 39.  $I_{CC}$  Test Condition, Power Down Mode  
 All other pins are disconnected.  $V_{CC} = 2 V$  to 5.5 V

80C51 8-bit microcontroller family  
4K/8K/16K/32K ROM/OTP, low voltage (2.7 to 5.5 V),  
low power, high speed (30/33 MHz)

80C3xX2; 80C5xX2;  
87C5xX2

## EPROM CHARACTERISTICS

The OTP devices described in this data sheet can be programmed by using a modified Improved Quick-Pulse Programming™ algorithm. It differs from older methods in the value used for  $V_{PP}$  (programming supply voltage) and in the width and number of the ALE/PROG pulses.

The family contains two signature bytes that can be read and used by an EPROM programming system to identify the device. The signature bytes identify the device as being manufactured by Philips.

Table 8 shows the logic levels for reading the signature byte, and for programming the program memory, the encryption table, and the security bits. The circuit configuration and waveforms for quick-pulse programming are shown in Figures 40 and 41. Figure 42 shows the circuit configuration for normal program memory verification.

### Quick-Pulse Programming

The setup for microcontroller quick-pulse programming is shown in Figure 40. Note that the device is running with a 4 to 6 MHz oscillator. The reason the oscillator needs to be running is that the device is executing internal address and program data transfers.

The address of the EPROM location to be programmed is applied to ports 1 and 2, as shown in Figure 40. The code byte to be programmed into that location is applied to port 0. RST, PSEN and pins of ports 2 and 3 specified in Table 8 are held at the 'Program Code Data' levels indicated in Table 8. The ALE/PROG is pulsed low 5 times as shown in Figure 41.

To program the encryption table, repeat the 5 pulse programming sequence for addresses 0 through 1FH, using the 'Pgm Encryption Table' levels. Do not forget that after the encryption table is programmed, verification cycles will produce only encrypted data.

To program the security bits, repeat the 5 pulse programming sequence using the 'Pgm Security Bit' levels. After one security bit is programmed, further programming of the code memory and encryption table is disabled. However, the other security bits can still be programmed.

Note that the  $\bar{E}A/V_{PP}$  pin must not be allowed to go above the maximum specified  $V_{PP}$  level for any amount of time. Even a narrow glitch above that voltage can cause permanent damage to the

device. The  $V_{PP}$  source should be well regulated and free of glitches and overshoot.

### Program Verification

If security bits 2 and 3 have not been programmed, the on-chip program memory can be read out for program verification. The address of the program memory locations to be read is applied to ports 1 and 2 as shown in Figure 42. The other pins are held at the 'Verify Code Data' levels indicated in Table 8. The contents of the address location will be emitted on port 0. External pull-ups are required on port 0 for this operation.

If the 64 byte encryption table has been programmed, the data presented at port 0 will be the exclusive NOR of the program byte with one of the encryption bytes. The user will have to know the encryption table contents in order to correctly decode the verification data. The encryption table itself cannot be read out.

### Reading the Signature bytes

The signature bytes are read by the same procedure as a normal verification of locations 030h and 031h, except that P3.6 and P3.7 need to be pulled to a logic low. The values are:  
(030h) = 15h; indicates manufacturer (Philips)  
(031h) = 92h / 97h / BBh / BDh; indicates 87C51X2 / 52X2 / 54X2 / 58X2.

### Program/Verify Algorithms

Any algorithm in agreement with the conditions listed in Table 8, and which satisfies the timing specifications, is suitable.

### Security Bits

With none of the security bits programmed the code in the program memory can be verified. If the encryption table is programmed, the code will be encrypted when verified. When only security bit 1 (see Table 9) is programmed, MOV<sub>C</sub> instructions executed from external program memory are disabled from fetching code bytes from the internal memory,  $\bar{E}A$  is latched on Reset and all further programming of the EPROM is disabled. When security bits 1 and 2 are programmed, in addition to the above, verify mode is disabled. When all three security bits are programmed, all of the conditions above apply and all external program memory execution is disabled.

### Encryption Array

64 bytes of encryption array are initially unprogrammed (all 1s).

**Table 8. EPROM Programming Modes**

MODE	RST	PSEN	ALE/PROG	$\bar{E}A/V_{PP}$	P2.7	P2.6	P3.7	P3.6
Read signature	1	0	1	1	0	0	0	0
Program code data	1	0	0*	$V_{PP}$	1	0	1	1
Verify code data	1	0	1	1	0	0	1	1
Pgm encryption table	1	0	0*	$V_{PP}$	1	0	1	0
Pgm security bit 1	1	0	0*	$V_{PP}$	1	1	1	1
Pgm security bit 2	1	0	0*	$V_{PP}$	1	1	0	0
Pgm security bit 3	1	0	0*	$V_{PP}$	0	1	0	1

#### NOTES:

- '0' = Valid low for that pin, '1' = valid high for that pin.
- $V_{PP} = 12.75 \text{ V} \pm 0.25 \text{ V}$ .
- $V_{CC} = 5 \text{ V} \pm 10\%$  during programming and verification.

\* ALE/PROG receives 5 programming pulses for code data (also for user array; 5 pulses for encryption or security bits) while  $V_{PP}$  is held at 12.75 V. Each programming pulse is low for 100  $\mu\text{s}$  ( $\pm 10 \mu\text{s}$ ) and high for a minimum of 10  $\mu\text{s}$ .

™Trademark phrase of Intel Corporation.

80C51 8-bit microcontroller family  
 4K/8K/16K/32K ROM/OTP, low voltage (2.7 to 5.5 V),  
 low power, high speed (30/33 MHz)

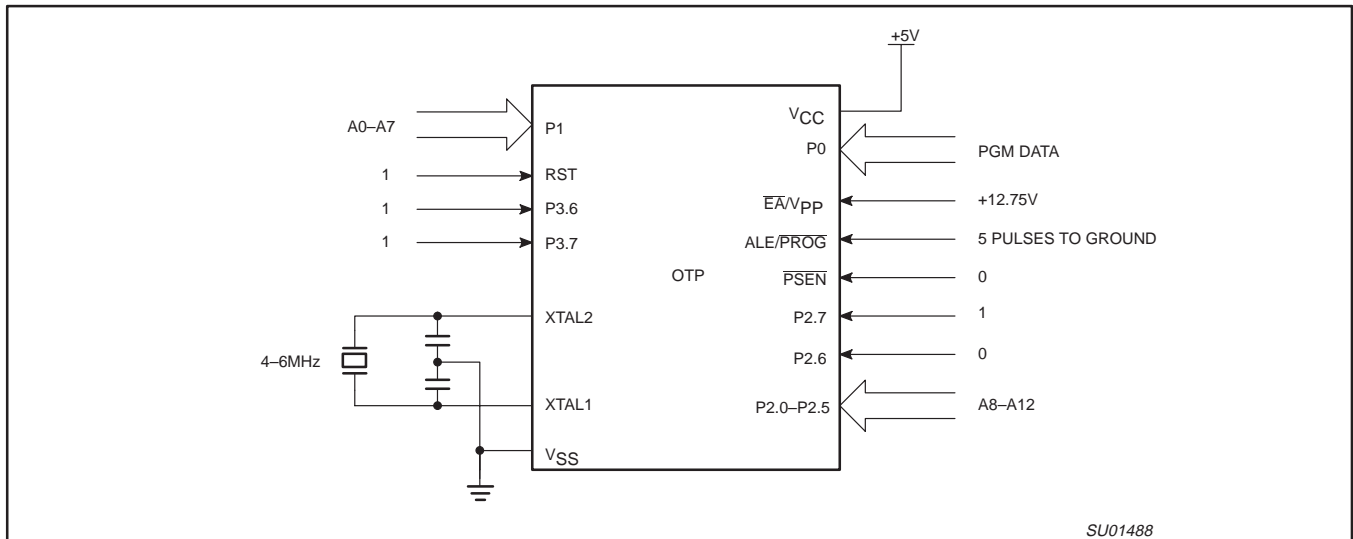
80C3xX2; 80C5xX2;  
 87C5xX2

**Table 9. Program Security Bits for EPROM Devices**

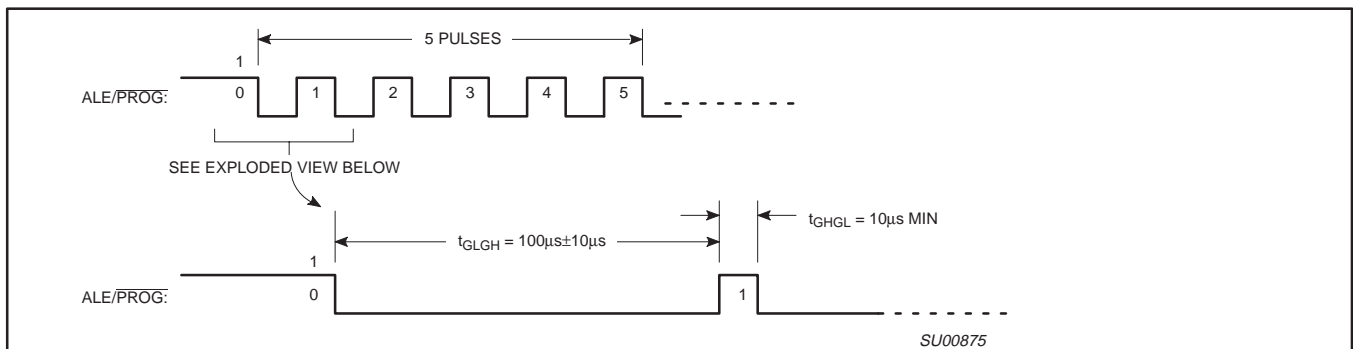
PROGRAM LOCK BITS <sup>1, 2</sup>				PROTECTION DESCRIPTION
	SB1	SB2	SB3	
1	U	U	U	No Program Security features enabled. (Code verify will still be encrypted by the Encryption Array if programmed.)
2	P	U	U	MOVC instructions executed from external program memory are disabled from fetching code bytes from internal memory, $\overline{EA}$ is sampled and latched on Reset, and further programming of the EPROM is disabled.
3	P	P	U	Same as 2, also verify is disabled.
4	P	P	P	Same as 3, external execution is disabled. Internal data RAM is not accessible.

**NOTES:**

1. P – programmed. U – unprogrammed.
2. Any other combination of the security bits is not defined.



**Figure 40. Programming Configuration**



**Figure 41. PROG Waveform**

80C51 8-bit microcontroller family  
 4K/8K/16K/32K ROM/OTP, low voltage (2.7 to 5.5 V),  
 low power, high speed (30/33 MHz)

80C3xX2; 80C5xX2;  
 87C5xX2

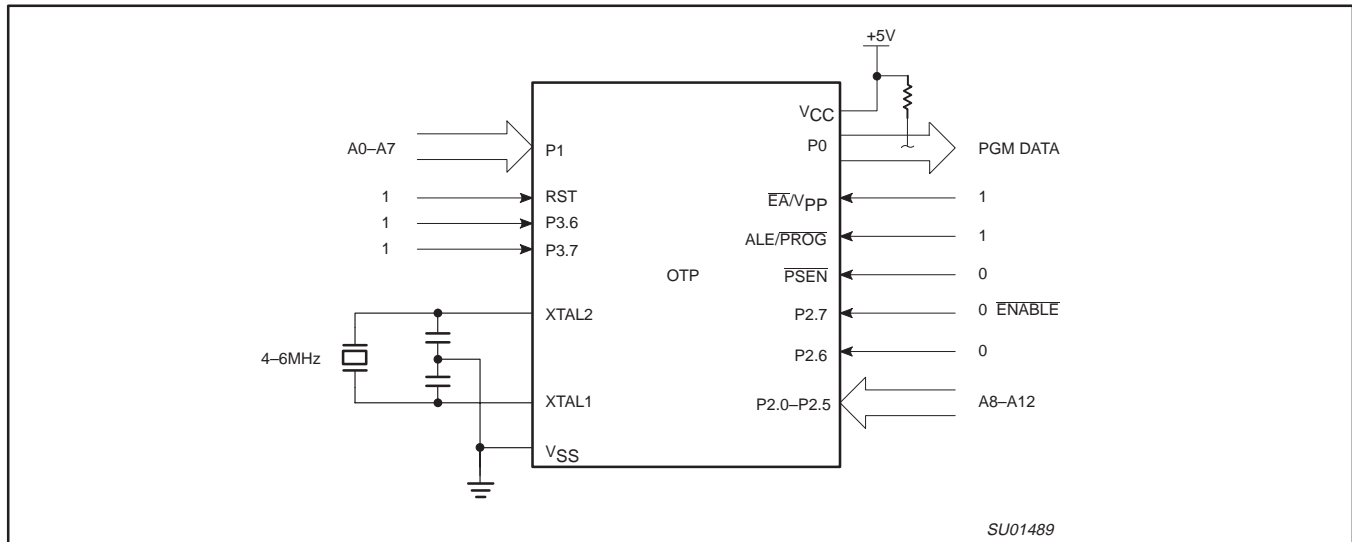


Figure 42. Program Verification

**PROGRAMMING AND VERIFICATION CHARACTERISTICS**

T<sub>amb</sub> = 21 °C to +27 °C, V<sub>CC</sub> = 5 V±10%, V<sub>SS</sub> = 0 V (See Figure 43)

SYMBOL	PARAMETER	MIN	MAX	UNIT
V <sub>PP</sub>	Programming supply voltage	12.5	13.0	V
I <sub>PP</sub>	Programming supply current		50 <sup>1</sup>	mA
1/t <sub>CLCL</sub>	Oscillator frequency	4	6	MHz
t <sub>AVGL</sub>	Address setup to $\overline{\text{PROG}}$ low	48t <sub>CLCL</sub>		
t <sub>GHAX</sub>	Address hold after $\overline{\text{PROG}}$	48t <sub>CLCL</sub>		
t <sub>DVGL</sub>	Data setup to $\overline{\text{PROG}}$ low	48t <sub>CLCL</sub>		
t <sub>GHDX</sub>	Data hold after $\overline{\text{PROG}}$	48t <sub>CLCL</sub>		
t <sub>EHS</sub>	P2.7 (ENABLE) high to V <sub>PP</sub>	48t <sub>CLCL</sub>		
t <sub>SHGL</sub>	V <sub>PP</sub> setup to $\overline{\text{PROG}}$ low	10		μs
t <sub>GHSL</sub>	V <sub>PP</sub> hold after $\overline{\text{PROG}}$	10		μs
t <sub>GLGH</sub>	$\overline{\text{PROG}}$ width	90	110	μs
t <sub>AVQV</sub>	Address to data valid		48t <sub>CLCL</sub>	
t <sub>ELQZ</sub>	ENABLE low to data valid		48t <sub>CLCL</sub>	
t <sub>EHQZ</sub>	Data float after ENABLE	0	48t <sub>CLCL</sub>	
t <sub>GHGL</sub>	$\overline{\text{PROG}}$ high to $\overline{\text{PROG}}$ low	10		μs

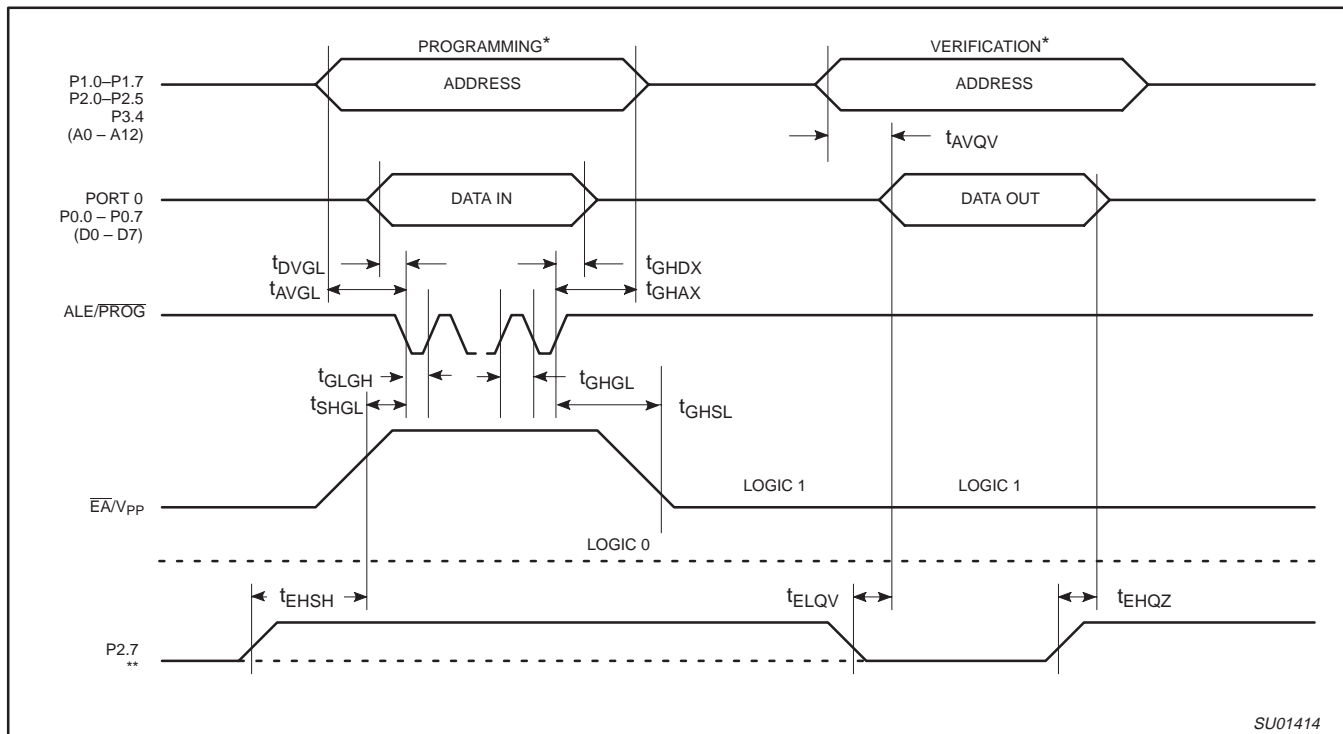
**NOTE:**

1. Not tested.



80C51 8-bit microcontroller family  
 4K/8K/16K/32K ROM/OTP, low voltage (2.7 to 5.5 V),  
 low power, high speed (30/33 MHz)

80C3xX2; 80C5xX2;  
 87C5xX2



**NOTES:**

- \* FOR PROGRAMMING CONFIGURATION SEE FIGURE 40.  
 FOR VERIFICATION CONDITIONS SEE FIGURE 42.
- \*\* SEE TABLE 8.

**Figure 43. Programming and Verification**

**MASK ROM DEVICES**

**Security Bits**

With none of the security bits programmed the code in the program memory can be verified. If the encryption table is programmed, the code will be encrypted when verified. When only security bit 1 (see Table 10) is programmed, MOVC instructions executed from external program memory are disabled from fetching code bytes

from the internal memory,  $\overline{EA}$  is latched on Reset and all further programming of the EPROM is disabled. When security bits 1 and 2 are programmed, in addition to the above, verify mode is disabled.

**Encryption Array**

64 bytes of encryption array are initially unprogrammed (all 1s).

**Table 10. Program Security Bits**

PROGRAM LOCK BITS <sup>1, 2</sup>			PROTECTION DESCRIPTION
	SB1	SB2	
1	U	U	No Program Security features enabled. (Code verify will still be encrypted by the Encryption Array if programmed.)
2	P	U	MOVC instructions executed from external program memory are disabled from fetching code bytes from internal memory, $\overline{EA}$ is sampled and latched on Reset, and further programming of the EPROM is disabled.

**NOTES:**

- 1. P – programmed. U – unprogrammed.
- 2. Any other combination of the security bits is not defined.

**80C51 8-bit microcontroller family**  
 4K/8K/16K/32K ROM/OTP, low voltage (2.7 to 5.5 V),  
 low power, high speed (30/33 MHz)

**80C3xX2; 80C5xX2;  
 87C5xX2**

### 80C51X2 ROM CODE SUBMISSION

When submitting a ROM code for the 80C51X2, the following must be specified:

1. 4 kbyte user ROM data
2. 64 byte ROM encryption key
3. ROM security bits.

ADDRESS	CONTENT	BIT(S)	COMMENT
0000H to 0FFFFH	DATA	7:0	User ROM Data
1000H to 103FH	KEY	7:0	ROM Encryption Key
1040H	SEC	0	ROM Security Bit 1
1040H	SEC	1	ROM Security Bit 2

**Security Bit 1:** When programmed, this bit has two effects on masked ROM parts:

1. External MOVC is disabled, and
2.  $\overline{EA}$  is latched on Reset.

**Security Bit 2:** When programmed, this bit inhibits Verify User ROM.

**NOTE:** Security Bit 2 cannot be enabled unless Security Bit 1 is enabled.

If the ROM Code file does not include the options, the following information must be included with the ROM code.

For each of the following, check the appropriate box, and send to Philips along with the code:

- Security Bit #1:     Enabled         Disabled
- Security Bit #2:     Enabled         Disabled
- Encryption:         No                 Yes     If Yes, must send key file.

### 80C52X2 ROM CODE SUBMISSION

When submitting a ROM code for the 80C52X2, the following must be specified:

1. 8 kbyte user ROM data
2. 64 byte ROM encryption key
3. ROM security bits.

ADDRESS	CONTENT	BIT(S)	COMMENT
0000H to 1FFFFH	DATA	7:0	User ROM Data
2000H to 203FH	KEY	7:0	ROM Encryption Key
2040H	SEC	0	ROM Security Bit 1
2040H	SEC	1	ROM Security Bit 2

**Security Bit 1:** When programmed, this bit has two effects on masked ROM parts:

1. External MOVC is disabled, and
2.  $\overline{EA}$  is latched on Reset.

**Security Bit 2:** When programmed, this bit inhibits Verify User ROM.

**NOTE:** Security Bit 2 cannot be enabled unless Security Bit 1 is enabled.

If the ROM Code file does not include the options, the following information must be included with the ROM code.

For each of the following, check the appropriate box, and send to Philips along with the code:

- Security Bit #1:     Enabled         Disabled
- Security Bit #2:     Enabled         Disabled
- Encryption:         No                 Yes     If Yes, must send key file.

80C51 8-bit microcontroller family  
4K/8K/16K/32K ROM/OTP, low voltage (2.7 to 5.5 V),  
low power, high speed (30/33 MHz)

80C3xX2; 80C5xX2;  
87C5xX2

### 80C54X2 ROM CODE SUBMISSION

When submitting a ROM code for the 80C54X2, the following must be specified:

1. 16 kbyte user ROM data
2. 64 byte ROM encryption key
3. ROM security bits.

ADDRESS	CONTENT	BIT(S)	COMMENT
0000H to 3FFFH	DATA	7:0	User ROM Data
4000H to 403FH	KEY	7:0	ROM Encryption Key FFH = no encryption
4040H	SEC	0	ROM Security Bit 1 0 = enable security 1 = disable security
4040H	SEC	1	ROM Security Bit 2 0 = enable security 1 = disable security

**Security Bit 1:** When programmed, this bit has two effects on masked ROM parts:

1. External MOV<sub>C</sub> is disabled, and
2.  $\overline{EA}$  is latched on Reset.

**Security Bit 2:** When programmed, this bit inhibits Verify User ROM.

**NOTE:** Security Bit 2 cannot be enabled unless Security Bit 1 is enabled.

If the ROM Code file does not include the options, the following information must be included with the ROM code.

For each of the following, check the appropriate box, and send to Philips along with the code:

- Security Bit #1:     Enabled         Disabled
- Security Bit #2:     Enabled         Disabled
- Encryption:         No                 Yes    If Yes, must send key file.

80C51 8-bit microcontroller family  
 4K/8K/16K/32K ROM/OTP, low voltage (2.7 to 5.5 V),  
 low power, high speed (30/33 MHz)

80C3xX2; 80C5xX2;  
 87C5xX2

**80C58X2 ROM CODE SUBMISSION**

When submitting a ROM code for the 80C58X2, the following must be specified:

1. 32 kbyte user ROM data
2. 64 byte ROM encryption key
3. ROM security bits.

ADDRESS	CONTENT	BIT(S)	COMMENT
0000H to 7FFFH	DATA	7:0	User ROM Data
8000H to 803FH	KEY	7:0	ROM Encryption Key FFH = no encryption
8040H	SEC	0	ROM Security Bit 1 0 = enable security 1 = disable security
8040H	SEC	1	ROM Security Bit 2 0 = enable security 1 = disable security

**Security Bit 1:** When programmed, this bit has two effects on masked ROM parts:

1. External MOVC is disabled, and
2.  $\overline{EA}$  is latched on Reset.

**Security Bit 2:** When programmed, this bit inhibits Verify User ROM.

**NOTE:** Security Bit 2 cannot be enabled unless Security Bit 1 is enabled.

If the ROM Code file does not include the options, the following information must be included with the ROM code.

For each of the following, check the appropriate box, and send to Philips along with the code:

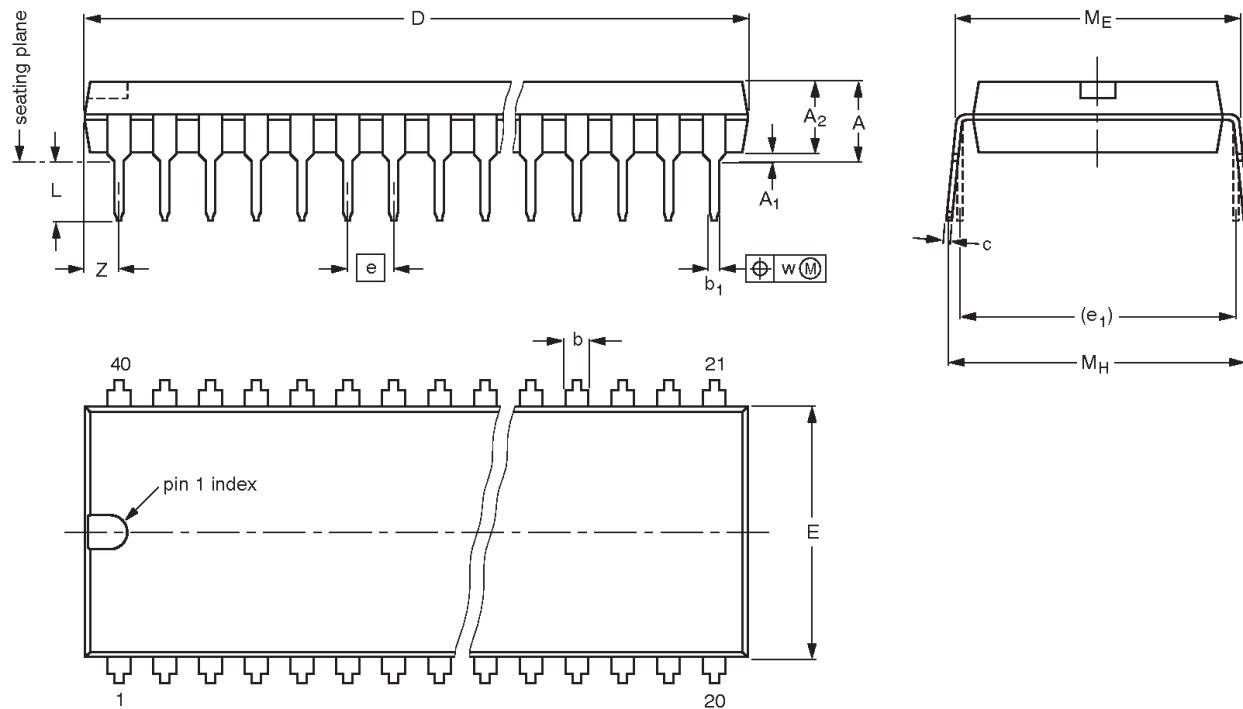
- Security Bit #1:     Enabled         Disabled
- Security Bit #2:     Enabled         Disabled
- Encryption:         No                 Yes    If Yes, must send key file.

80C51 8-bit microcontroller family  
 4K/8K/16K/32K ROM/OTP, low voltage (2.7 to 5.5 V),  
 low power, high speed (30/33 MHz)

80C3xX2; 80C5xX2;  
 87C5xX2

DIP40: plastic dual in-line package; 40 leads (600 mil)

SOT129-1



**DIMENSIONS (inch dimensions are derived from the original mm dimensions)**

UNIT	A max.	A <sub>1</sub> min.	A <sub>2</sub> max.	b	b <sub>1</sub>	c	D <sup>(1)</sup>	E <sup>(1)</sup>	e	e <sub>1</sub>	L	M <sub>E</sub>	M <sub>H</sub>	w	Z <sup>(1)</sup> max.
mm	4.7	0.51	4.0	1.70 1.14	0.53 0.38	0.36 0.23	52.50 51.50	14.1 13.7	2.54	15.24	3.60 3.05	15.80 15.24	17.42 15.90	0.254	2.25
inches	0.19	0.020	0.16	0.067 0.045	0.021 0.015	0.014 0.009	2.067 2.028	0.56 0.54	0.10	0.60	0.14 0.12	0.62 0.60	0.69 0.63	0.01	0.089

**Note**

1. Plastic or metal protrusions of 0.25 mm maximum per side are not included.

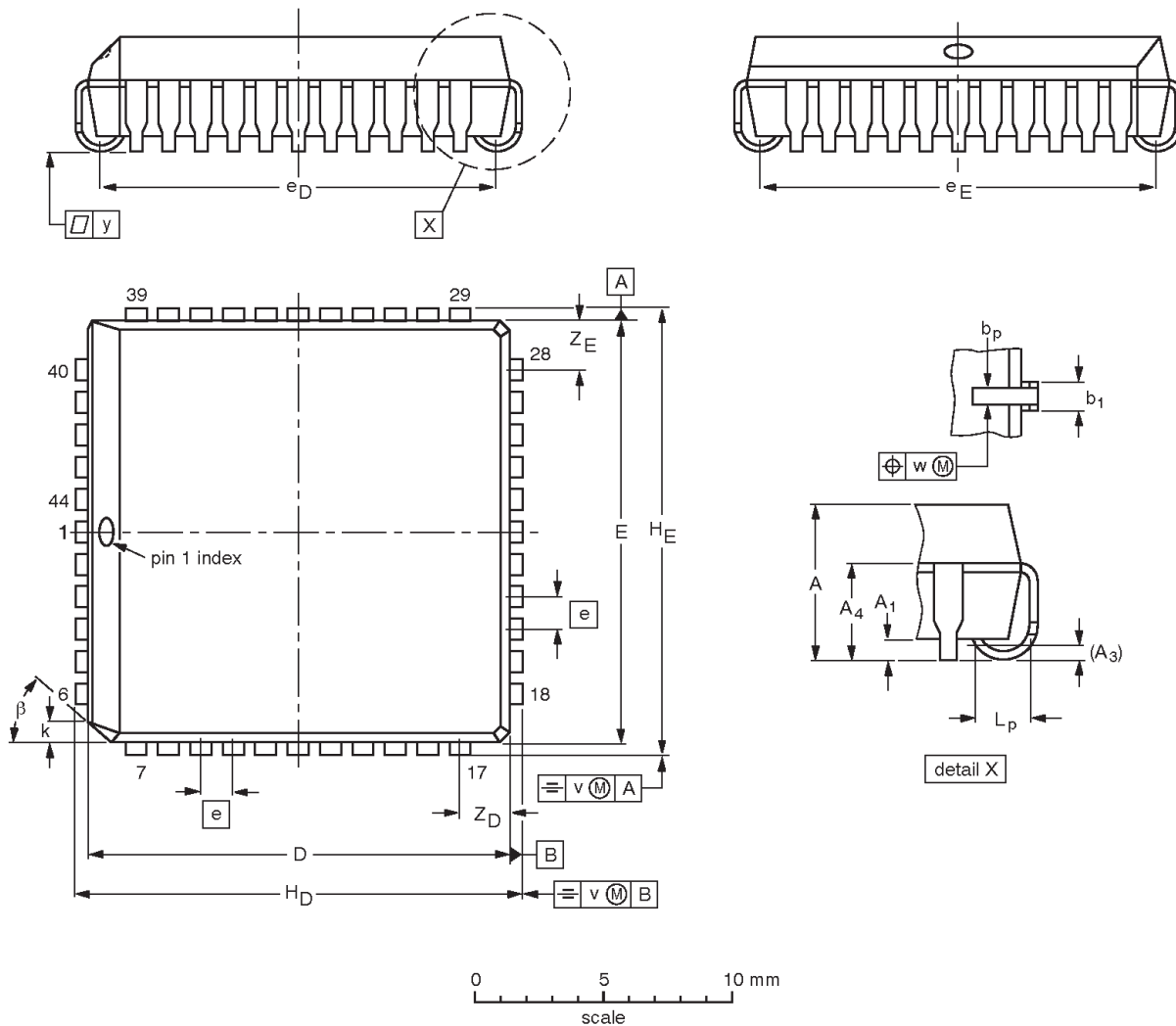
OUTLINE VERSION	REFERENCES				EUROPEAN PROJECTION	ISSUE DATE
	IEC	JEDEC	EIAJ			
SOT129-1	051G08	MO-015	SC-511-40			95-01-14 99-12-27

80C51 8-bit microcontroller family  
 4K/8K/16K/32K ROM/OTP, low voltage (2.7 to 5.5 V),  
 low power, high speed (30/33 MHz)

80C3xX2; 80C5xX2;  
 87C5xX2

PLCC44: plastic leaded chip carrier; 44 leads

SOT187-2



DIMENSIONS (mm dimensions are derived from the original inch dimensions)

UNIT	A	A <sub>1</sub> min.	A <sub>3</sub>	A <sub>4</sub> max.	b <sub>p</sub>	b <sub>1</sub>	D <sup>(1)</sup>	E <sup>(1)</sup>	e	e <sub>D</sub>	e <sub>E</sub>	H <sub>D</sub>	H <sub>E</sub>	k	L <sub>p</sub>	v	w	y	Z <sub>D</sub> <sup>(1)</sup> max.	Z <sub>E</sub> <sup>(1)</sup> max.	$\beta$
mm	4.57 4.19	0.51	0.25	3.05	0.53 0.33	0.81 0.66	16.66 16.51	16.66 16.51	1.27	16.00 14.99	16.00 14.99	17.65 17.40	17.65 17.40	1.22 1.07	1.44 1.02	0.18	0.18	0.1	2.16	2.16	45°
inches	0.180 0.165	0.02	0.01	0.12	0.021 0.013	0.032 0.026	0.656 0.650	0.656 0.650	0.05	0.63 0.59	0.63 0.59	0.695 0.685	0.695 0.685	0.048 0.042	0.057 0.040	0.007	0.007	0.004	0.085	0.085	

Note

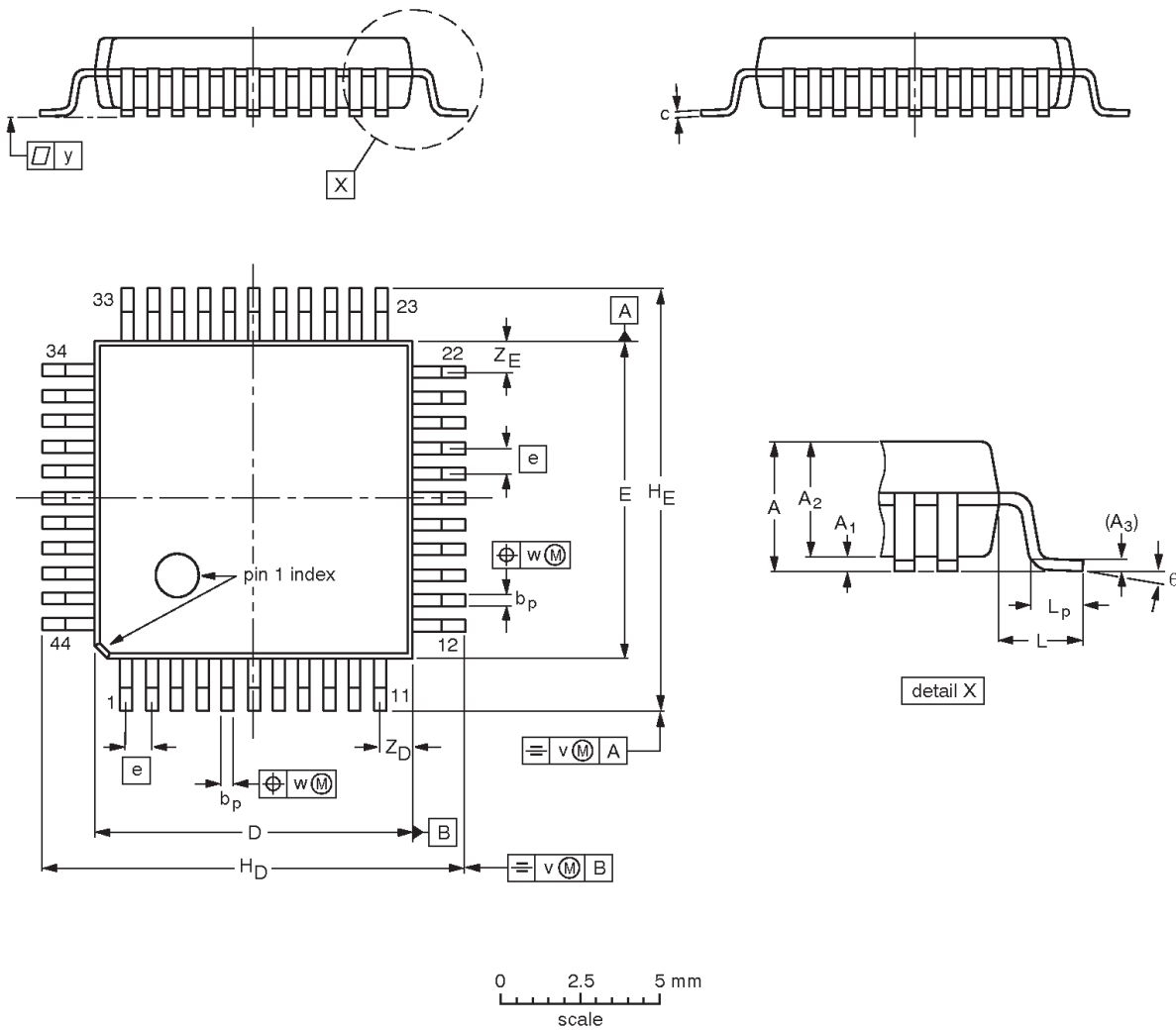
1. Plastic or metal protrusions of 0.25 mm (0.01 inch) maximum per side are not included.

OUTLINE VERSION	REFERENCES				EUROPEAN PROJECTION	ISSUE DATE
	IEC	JEDEC	JEITA			
SOT187-2	112E10	MS-018	EDR-7319			99-12-27 01-11-14

80C51 8-bit microcontroller family  
 4K/8K/16K/32K ROM/OTP, low voltage (2.7 to 5.5 V),  
 low power, high speed (30/33 MHz)

80C3xX2; 80C5xX2;  
 87C5xX2

**LQFP44 (available soon): plastic low profile quad flat package; 44 leads; body 10 x 10 x 1.4 mm SOT389-1**



**DIMENSIONS (mm are the original dimensions)**

UNIT	A max.	A <sub>1</sub>	A <sub>2</sub>	A <sub>3</sub>	b <sub>p</sub>	c	D <sup>(1)</sup>	E <sup>(1)</sup>	e	H <sub>D</sub>	H <sub>E</sub>	L	L <sub>p</sub>	v	w	y	Z <sub>D</sub> <sup>(1)</sup>	Z <sub>E</sub> <sup>(1)</sup>	θ
mm	1.60	0.15 0.05	1.45 1.35	0.25	0.45 0.30	0.20 0.12	10.10 9.90	10.10 9.90	0.80	12.15 11.85	12.15 11.85	1.0	0.75 0.45	0.20	0.20	0.10	1.14 0.85	1.14 0.85	7° 0°

**Note**

1. Plastic or metal protrusions of 0.25 mm maximum per side are not included.

OUTLINE VERSION	REFERENCES				EUROPEAN PROJECTION	ISSUE DATE
	IEC	JEDEC	EIAJ			
SOT389-1	136E08	MS-026				-99-12-17- 00-01-19

---

80C51 8-bit microcontroller family  
4K/8K/16K/32K ROM/OTP, low voltage (2.7 to 5.5 V),  
low power, high speed (30/33 MHz)

---

80C3xX2; 80C5xX2;  
87C5xX2

**REVISION HISTORY**

Date	CPCN	Description
2001 Sep 24	9397 750 08895	Initial release



80C51 8-bit microcontroller family  
4K/8K/16K/32K ROM/OTP, low voltage (2.7 to 5.5 V),  
low power, high speed (30/33 MHz)

80C3xX2; 80C5xX2;  
87C5xX2

## Data sheet status

Data sheet status <sup>[1]</sup>	Product status <sup>[2]</sup>	Definitions
Objective data	Development	This data sheet contains data from the objective specification for product development. Philips Semiconductors reserves the right to change the specification in any manner without notice.
Preliminary data	Qualification	This data sheet contains data from the preliminary specification. Supplementary data will be published at a later date. Philips Semiconductors reserves the right to change the specification without notice, in order to improve the design and supply the best possible product.
Product data	Production	This data sheet contains data from the product specification. Philips Semiconductors reserves the right to make changes at any time in order to improve the design, manufacturing and supply. Changes will be communicated according to the Customer Product/Process Change Notification (CPCN) procedure SNW-SQ-650A.

[1] Please consult the most recently issued data sheet before initiating or completing a design.

[2] The product status of the device(s) described in this data sheet may have changed since this data sheet was published. The latest information is available on the Internet at URL <http://www.semiconductors.philips.com>.

## Definitions

**Short-form specification** — The data in a short-form specification is extracted from a full data sheet with the same type number and title. For detailed information see the relevant data sheet or data handbook.

**Limiting values definition** — Limiting values given are in accordance with the Absolute Maximum Rating System (IEC 60134). Stress above one or more of the limiting values may cause permanent damage to the device. These are stress ratings only and operation of the device at these or at any other conditions above those given in the Characteristics sections of the specification is not implied. Exposure to limiting values for extended periods may affect device reliability.

**Application information** — Applications that are described herein for any of these products are for illustrative purposes only. Philips Semiconductors make no representation or warranty that such applications will be suitable for the specified use without further testing or modification.

## Disclaimers

**Life support** — These products are not designed for use in life support appliances, devices or systems where malfunction of these products can reasonably be expected to result in personal injury. Philips Semiconductors customers using or selling these products for use in such applications do so at their own risk and agree to fully indemnify Philips Semiconductors for any damages resulting from such application.

**Right to make changes** — Philips Semiconductors reserves the right to make changes, without notice, in the products, including circuits, standard cells, and/or software, described or contained herein in order to improve design and/or performance. Philips Semiconductors assumes no responsibility or liability for the use of any of these products, conveys no license or title under any patent, copyright, or mask work right to these products, and makes no representations or warranties that these products are free from patent, copyright, or mask work right infringement, unless otherwise specified.

Philips Semiconductors  
811 East Arques Avenue  
P.O. Box 3409  
Sunnyvale, California 94088–3409  
Telephone 800-234-7381

© Copyright Philips Electronics North America Corporation 2001  
All rights reserved. Printed in U.S.A.

Date of release: 09-01

Document order number:

9397 750 08895

*Let's make things better.*