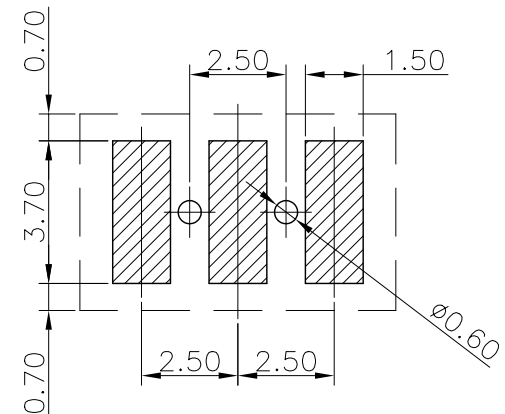


250007MA003□□00ZR

- 1.Selective plating
 G1-05u' gold over nickel
 G2-Indicate gold flash
 G3-10u' gold over nickel
 G4-15u' gold over nickel
 G5-30u' gold over nickel
- 1-1.Selective plating
 S1-05u' selective gold in contact area/
 Min.100u''tin in solder area
 S2-Gold flash in contact area/
 Min.100u''tin in solder area
 S3-10u' selective gold in contact area/
 Min.100u''tin in solder area
 S4-15u' selective gold in contact area/
 Min.100u''tin in solder area
 S5-30u' selective gold in contact area/
 Min.100u''tin in solder area
 S6-50u' selective gold in contact area/
 Min.100u''tin in solder area



Recommended P.C.B. Layout
(Component Side)

SPECIFICATION:
 □ Mousing:L.C.P.U.L94V-0,Black
 Terminal:Phosphor Bronze.

☑ Plating thickness:
 15u"min(0.381 um)Gold
 plating over
 Nickel plated at contact
 ared.

☑ Push forc 250g min

4				
3				
2	Terminal	C5210 H	Gold plated	
1	HOUSING	high temp.plastic	BLACK UL 94V-0	
NO.	DESCRIPTION	MATERIAL	COLOR	REMARK

SUYIN
CONNECTOR

CUSTOMER COPY TITLE: 2.5mm Pitch Battery Connector

	B		B1: 取消3.10尺寸物的測量 B2: 取消CAP			Angle	±2°	DRAW	蔡志鴻	02/05/02	PART NO.	250007MA003XX00ZR
ECIT-030109-08	A	03/01/09	A1: 重新標注重點尺寸	宋勳逸	宋權哲	30 ~	±0.50	DESIGN	蔡志鴻	02/05/02	PART NO. (OLD)	
	0	02/05/02	NEW			10 ~ 30	±0.30	CHECK	宋權哲	02/05/02	DRAWING NO.	250007MA003XX00ZR
ECN (DCN) NO.	REV	DATE	DESCRIPTION	CHANGE	APPRO.	~ 10	±0.15	APPRO.	宋權哲	02/05/02	SCALE	5:1
											UNIT	mm
						GENERAL TOLERANCE UNLESS OTHERWISE NOTED					A4	☉