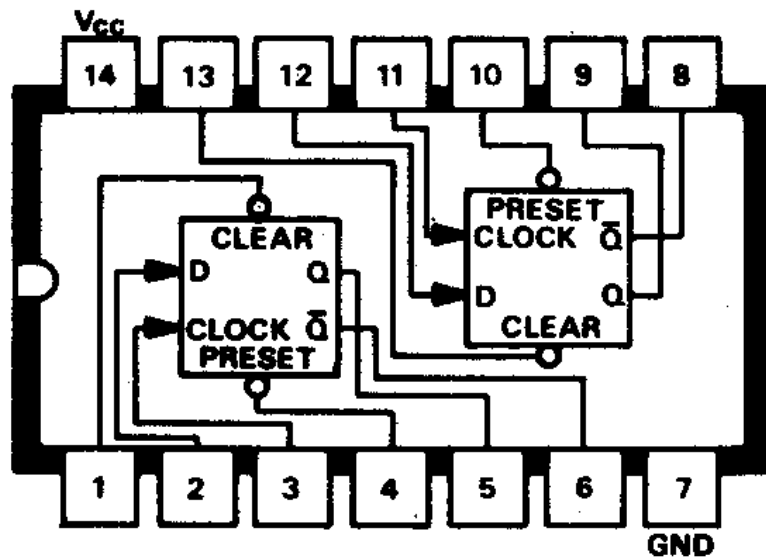


Semiconductors

Connection Diagrams

www.DataSheet4U.com

B55 **SN7474N**
SN74H74N/SN74S74N
SN74L74N/SN74C74N
 Dual D type flip-flop (edge triggered)



B56 **SN7475N**
 Quad bistable latch

