



## Dolby Pro Logic II / Virtual Dolby Surround Decoder

### ■ Package


**NJU26106FR1**

### ■ General Description

The NJU26106 is a digital audio signal decoder that provides the function of Dolby Pro Logic II and Virtual Dolby Surround.

The NJU26106 processes the stereo matrix-encoded signal into spacious sound of 5.1 channels by Dolby Pro Logic II and Bass Management System. Also non matrix-encoded audio signal can be processed into effective spacious sound by Music mode.

The decoded 5-channel signal can be downmixed into 2-channel virtual surround output by the Dolby Virtual technology.

The NJU26106 is suitable for multi-channel products such as AV AMP and Car Audio, or ordinary audio products such as small speaker system.

### ■ FEATURES

#### - Software

- 5.1 Channel signal outputs by Dolby Pro Logic II
- 2 Channel outputs by Virtual Dolby Surround
- Movie mode / Music mode
- Available for Center width control, Dimension control, Panorama mode, Music mode and Custom mode
- Master Volume

#### - Hardware

- 24bit Fixed-point Digital Signal Processing
- Maximum System Clock Frequency : 38MHz Max.
- Digital Audio Interface : 2 Input ports / 3 Output ports
- Digital Audio Format : I<sup>2</sup>S 24bit, Left-justified, Right-justified, BCK : 32/64fs
- Master / Slave Mode : Master Mode MCK 1/2 fclk, 1/3 fclk  
ex. MCK = 384Fs(1/2) or MCK = 256Fs(1/3) at fclk=768Fs
- Power Supply : 2.5V
- Input terminal : 3.3V Input tolerant
- Package : QFP32-R1 (Pb-Free)
- Two kinds of micro computer interface : I<sup>2</sup>C bus (standard-mode/100kbps)  
: Serial interface (4 lines: clock, enable, input data, output data)

The detail hardware specification is described in the "NJU26100 Series Hardware Data Sheet".

## Function Block Diagram

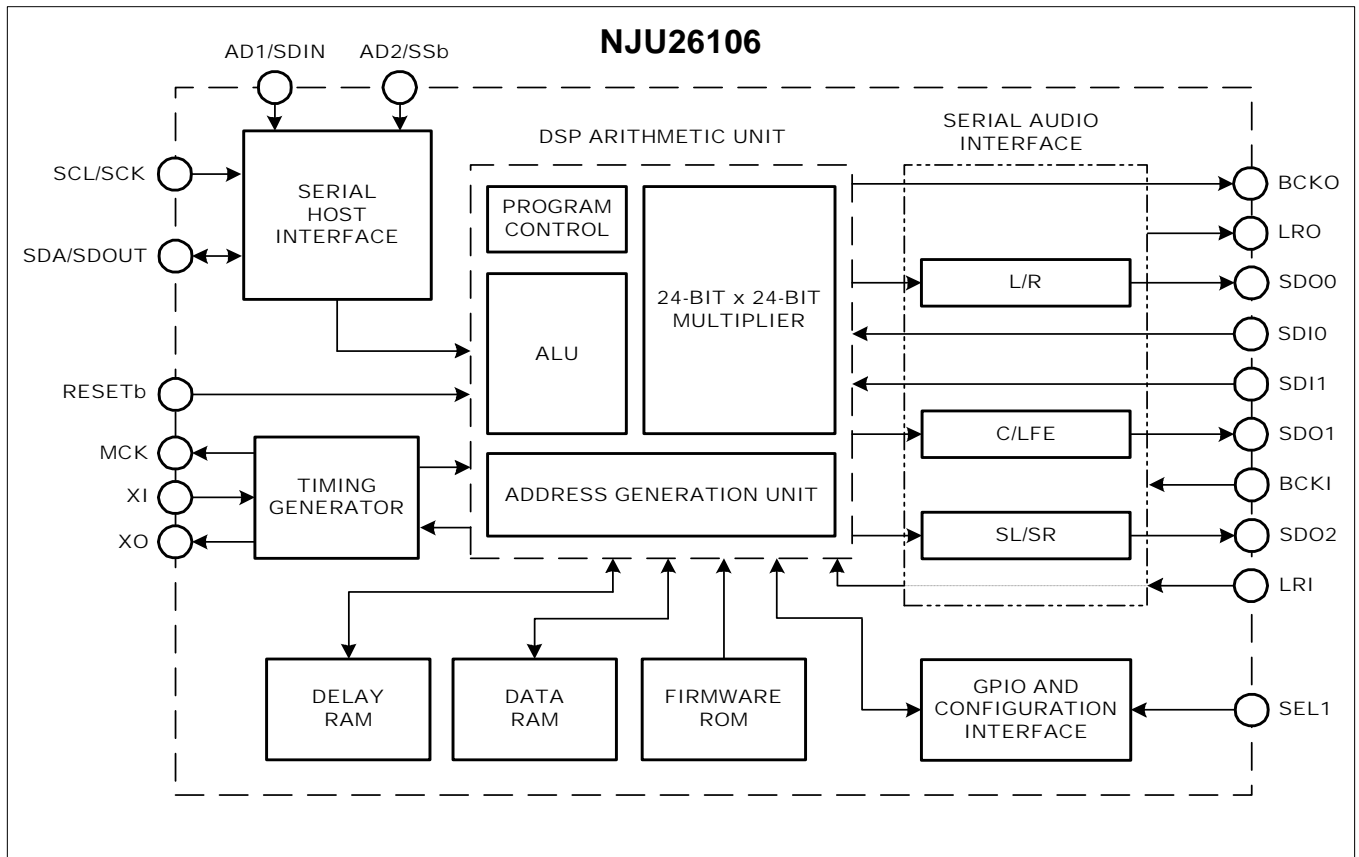


Fig. 1 NJU26106 Block Diagram

## DSP Block Diagram

### ProLogicII and Virtual Dolby Surround Decoder Block Diagram

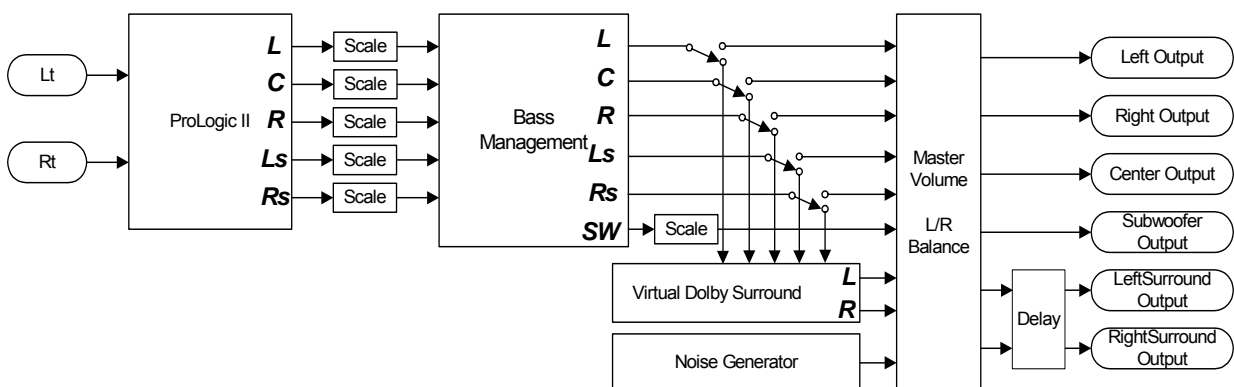
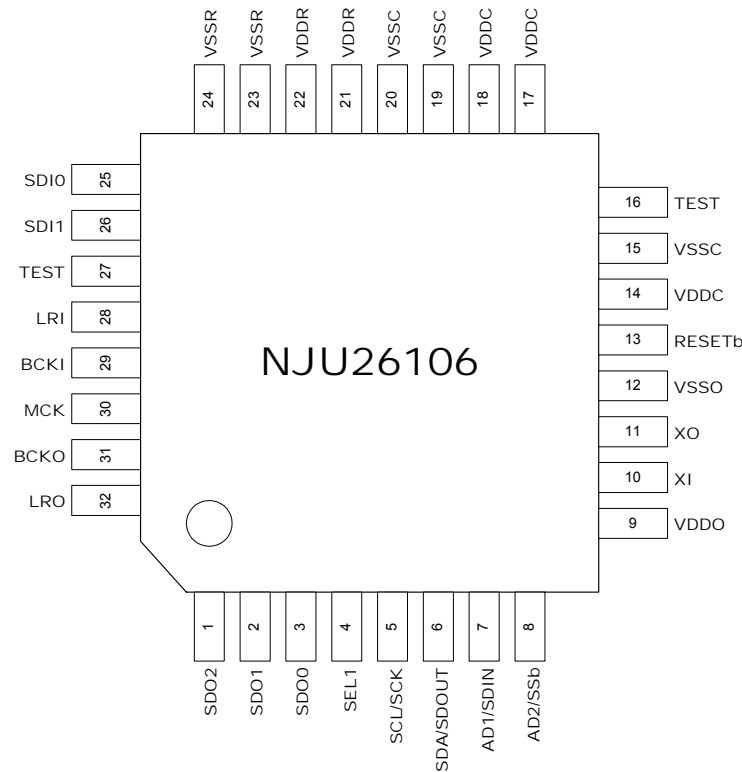


Fig. 2 NJU26106 Function Diagram

## ■ Pin Configuration



**Fig. 3 NJU26106 Pin Configuration**

## ■ Pin Description

**Table 1 Pin Description**

No.	Symbol	I/O	Description	No.	Symbol	I/O	Description
1	SDO2	O	Audio Data Output SL/SR	17	VDDC	--	Core Power Supply +2.5V
2	SDO1	O	Audio Data Output C/SW	18	VSSC	--	Core GND
3	SDO0	O	Audio Data Output L/R	19	VDDR	--	I/O Power Supply +2.5V
4	SEL1 *1	I	Select I <sup>2</sup> C or Serial bus	20	VSSR	--	I/O GND
5	SCL/SCK	I	I <sup>2</sup> C Clock / Serial Clock	21	SDIO	I	Audio Data Input 0 L/R
6	SDA/SDOUT	I/O	I <sup>2</sup> C I/O / Serial Output	22	SDI1	I	Audio Data Input 1 L/R
7	AD1/SDIN	I	I <sup>2</sup> C Address / Serial Input	23	TEST	I	Connect to GND
8	AD2/SSb	I	I <sup>2</sup> C Address / Serial Enable	24	LRI	I	LR Clock Input
9	VDDO	--	OSC Power Supply +2.5V	25	BCKI	I	Bit Clock Input
10	XI	I	X'tal Clock Input	26	MCK	O	Master Clock Output
11	XO	O	OSC Output	27	BCKO	O	Bit Clock Output
12	VSSO	--	OSC GND	28	LRO	O	LR Clock Output
13	RESETb	I	RESET (active Low)				
14	VDDC	--	Core Power Supply +2.5V				
15	VSSC	--	Core GND				
16	TEST *2	I/O	OPEN				

\* I : Input,  
 O : Output,  
 I/O: Bi-directional

\*1 SEL1 : Input

\*2 TEST : Bi-directional

## ■ Digital Audio Interface

The NJU26106 audio interface provides industry standard serial data formats of I<sup>2</sup>S, MSB-first left-justified or MSB-first right-justified. The NJU26106 audio interface provides two data inputs, SDI0, SDI1 and three data outputs, SDO0, SDO1, SDO2 as shown in table 2, table 3 and Fig.2. An audio interface input and output data format become the same data format.

The input serial data is selected by the firmware command. In Virtual Dolby Surround mode, SDO output generates Lch. and Rch. signal. The other channels are muted. The input serial data is selected by the firmware command.

**Table 2 Serial Audio Input Pin**

Pin No.	Symbol	Description
25	SDI0	Audio Data Input 0 L / R
26	SDI1	Audio Data Input 1 L / R

**Table 3 Serial Audio Output Pin**

Pin No.	Symbol	Description
3	SDO0	Audio Data Output 0 L / R *1
2	SDO1	Audio Data Output 0 C/SW
1	SDO2	Audio Data Output 0 SL/SR

**Note:** \*1 In Virtual Dolby Surround mode, only front Lch/Rch output signal. The other channels are muted.

## ■ Host Interface

The NJU26106 can be controlled via Serial Host Interface (SHI) using either of two serial bus format : 4-Wire serial bus or I<sup>2</sup>C bus.(Table 4) Data transfers are in 8 bit packets (1 byte) when using either format.

Serial Host Interface Pin Description.(Table 5)

**Table 4 Serial Host Interface Pin Description**

Pin No.	Symbol	Setting	Host Interface
4	SEL1	"Low"	I <sup>2</sup> C bus
		"High"	4-Wire serial bus

**Table 5 Serial Host Interface Pin Description**

Pin No.	Symbol (I <sup>2</sup> C bus / Serial)	I <sup>2</sup> C bus Format	4-Wire Serial bus Format
5	SCL / SCK	Serial Clock	Serial Clock
6	SDA / SDOOUT	Serial Data Input/Output (Open Drain Input/Output)	Serial Data Output (CMOS)
7	AD1 / SDIN	I <sup>2</sup> C bus address Bit1	Serial Data Input
8	AD2 / SSb	I <sup>2</sup> C bus address Bit2	Serial enable

**Note :** SDA/SDOOUT pin is a bi-directional open drain.

SDA/SDOOUT output is normal CMOS output in case of 4-Wire Serial bus mode and SSb="Low".

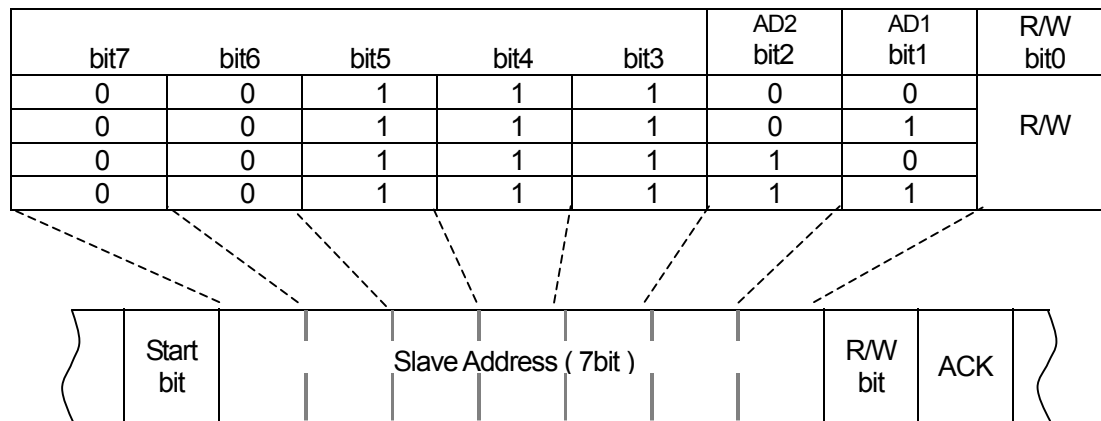
SDA /SDOOUT output is Hi-Z state in case of 4-Wire Serial bus mode and SSb="High". This pin requires a pull-up resistor in both 4-Wire serial and I<sup>2</sup>C bus mode.

## ■ I<sup>2</sup>C bus

When the NJU26106 is configured for I<sup>2</sup>C bus communication during the Reset initialization sequence. I<sup>2</sup>C bus interface transfers data to the SDA pin and clocks data to the SCL pin.

AD1 and AD2 pins are used to configure the seven-bit SLAVE address of the serial host interface. (Table 6) This offers additional flexibility to a system design by four different SLAVE addresses of the NJU26106. An address can be arbitrarily set up by the AD1 and AD2 pins. The I<sup>2</sup>C address of AD1/AD2 is decided by connection of AD1/AD2 pins.

**Table 6 I<sup>2</sup>C bus SLAVE Address**



\* SLAVE address is 0 when AD1/2 is “Low”. SLAVE address is 1 when AD1/2 is “High”.

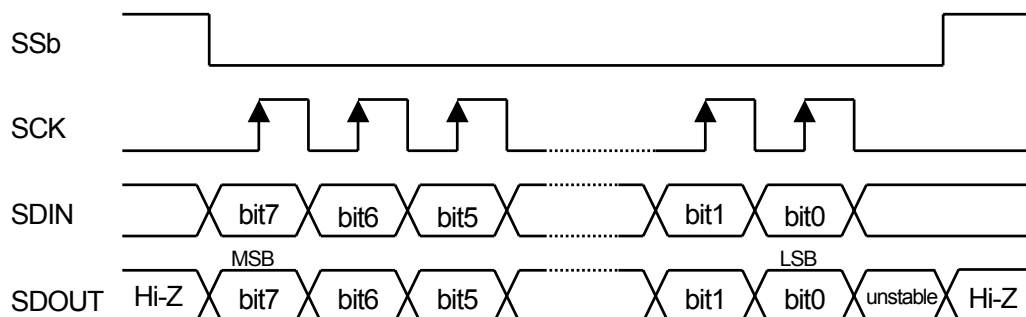
**Note :** In case of the NJU26106, only single-byte transmission is available. The serial host interface supports “Standard-Mode (100kbps)” I<sup>2</sup>C bus data transfer.

## ■ 4-Wire Serial Interface

The serial host interface can be configured for 4-Wire Serial bus communication by setting SEL1 pin = “High” during the Reset initialization sequence.

SHI bus communication is full-duplex; a write byte is shifted into the SDIN pin at the same time that a read byte is shifted out of the SDOUT pin. Data transfers are MSB first and are enabled by setting the Slave Select pin Low ( SSb=0 ). Data is clocked into SDIN on rising transitions of SCK. Data is latched at SDOUT on falling transitions of SCK except for the first byte (MSB) which is latched on the falling transitions of SSb.

SDOUT is Hi-Z in case of SSb = “High”. SDOUT is CMOS output in case of SSb = “Low”. SDOUT needs a pull-up resistor when SDOUT is Hi-Z.



**Fig. 4 4-Wire Serial Interface Timing**

**Note:** When the data-clock is less than 8 clocks, the input data is shifted to LSB side and is sent to the DSP core at the transition of SSb=“High”. When the data-clock is more than 8 clocks, the last 8 bit data becomes valid. After sending LSB data, SDOUT transmits the MSB data which is received via SDIN until SSb becomes “High”. SDOUT is Hi-Z in case of SSb = “High”. SDOUT is CMOS output in case of SSb = “Low”. SDOUT needs a pull-up resistor to prevent SDOUT from becoming floating level.

## ■ NJU26106 Bass Management

1. The specification of Bass Management is the extended version from Dolby.
2. The 4 types of crossover frequencies for speaker are selectable. ( Fig. 6, 7 )  
100, 150, 200, 250Hz ( 12dB / Oct. )
3. The 4 types of low frequency destinations are selectable. ( Fig. 5 )  
Subwoofer, Left / Right, Left Surr / Right Surr, Left / Right + Left Surr / Right Surr

### NJU26106 Pro Logic II Bass Management

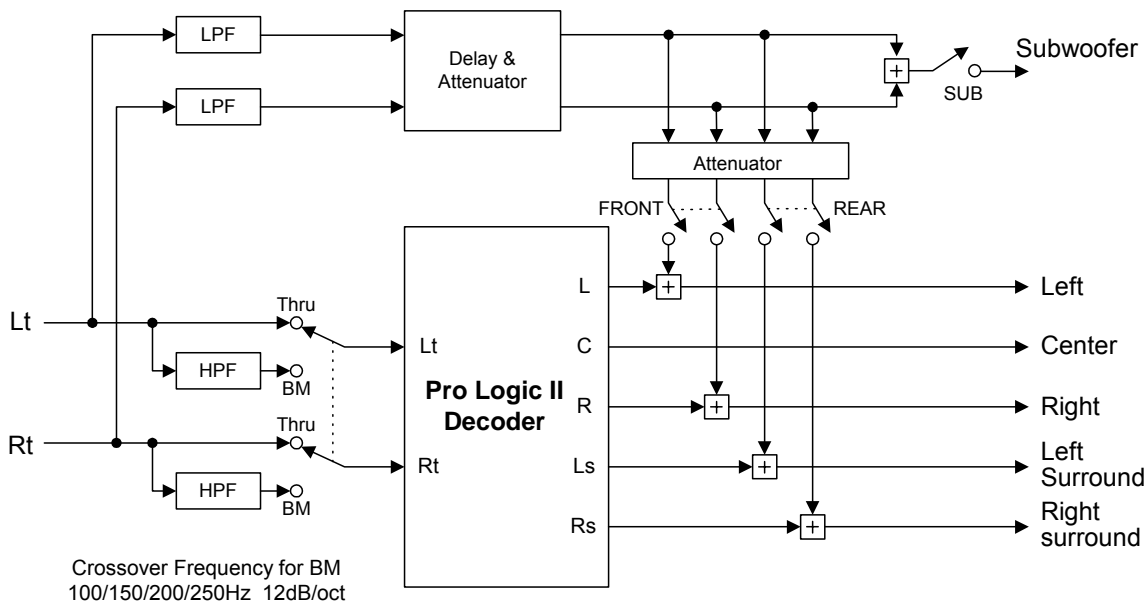


Fig.5 Bass Management Function Block Diagram

## NJU26106 High Pass Filter

Cutoff Frequency : 100 / 150 / 200 / 250Hz 12dB / Oct.

Audio Precision

Bass Management HPF

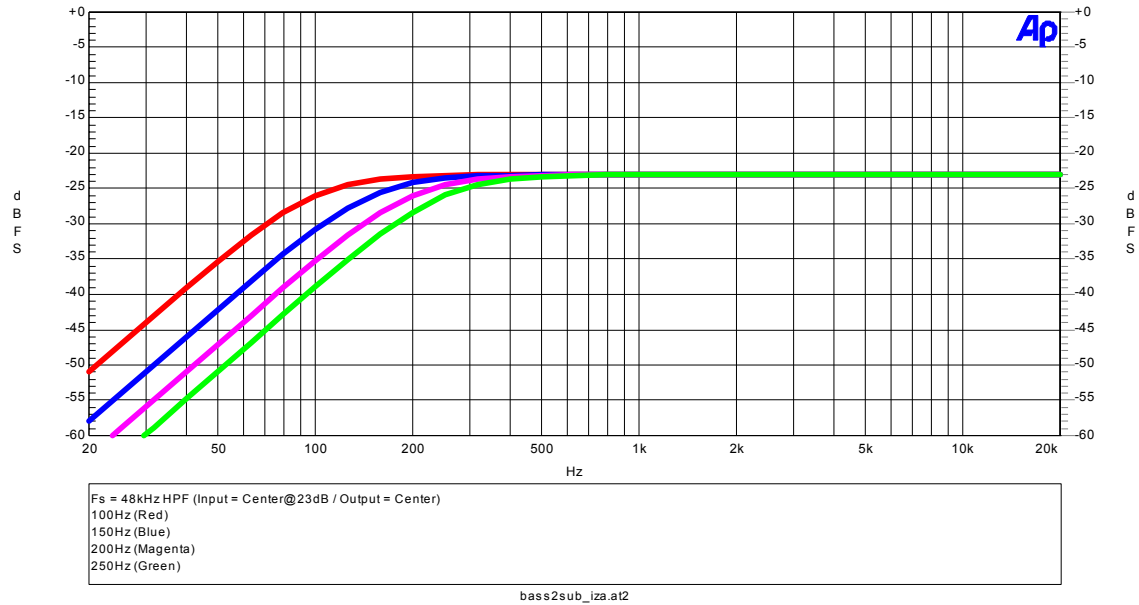


Fig. 6 NJU26106 High Pass Filter

## NJU26106 Low Pass Filter

Cutoff Frequency : 100 / 150 / 200 / 250Hz 12dB / Oct.

Audio Precision

Bass Management LPF

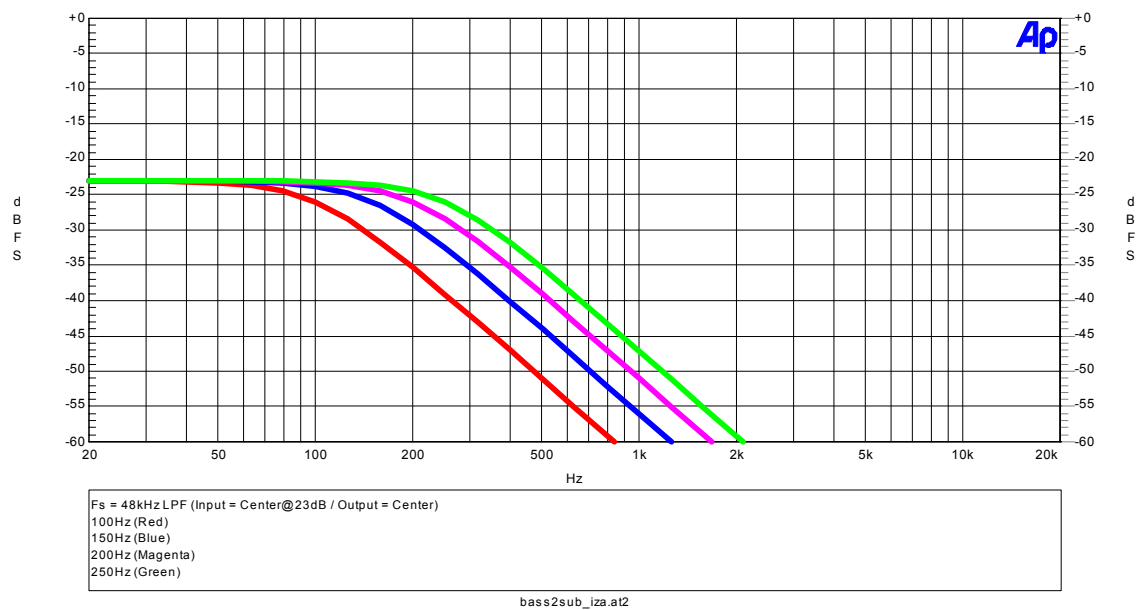


Fig. 7 NJU26106 Low Pass Filter

## ■ NJU26106 Command Table

**Table 7 NJU26106 Command**

No.	Command
1	SET_TASK_CMD
2	VDS_ANG_CMD
3	DPL_SUR_CMD
4	CWIDTH_DIM_CMD
5	DPL_MOD_CMD
6	BASS_MGNT_CMD
7	FS_CMD
8	NOISE_CMD
9	DLY_CMD
10	LR_BAL_CMD
11	MST_VOL_CMD
12	LCH_VOL_CMD
13	RCH_VOL_CMD
14	CENT_VOL_CMD
15	SURR_LEFT_VOL_CMD
16	SURR_RIGHT_VOL_CMD
17	SW_VOL_CMD
18	SYS_SET_CMD

**Notes :** In respect to detail command information, request New Japan Radio Co., Ltd. and permission of a licenser (Dolby) is required.

## ■ License Information

- The Word "DOLBY", "Pro Logic" and the double D mark are trademarks of Dolby Laboratories.  
The NJU26106 can only be delivered to licensees of Dolby Laboratories.  
Please refer to the licensing application manual issued by Dolby Laboratories.

[CAUTION]  
The specifications on this databook are only given for information, without any guarantee as regards either mistakes or omissions. The application circuits in this databook are described only to show representative usages of the product and not intended for the guarantee or permission of any right including the industrial rights.