

**Single Port RJ45 Connector
with Integrated Magnetics and LED
for 10/100Base-TX NIC Applications**

Part Number:

HR911105

Electrical Specification @25°C

Isolation: 1500Vrms (UTP Side to Chip Side)

OCL: 350uH Minimum @100KHz 100mV with 8mADC

Insertion Loss: -1.0dB Maximum @300KHz ~ 100MHz

Return Loss: -20dB Minimum @1MHz ~ 10MHz

-16dB Minimum @10MHz ~ 30MHz

-12dB Minimum @30MHz ~ 60MHz

-10dB Minimum @60MHz ~ 80MHz

Common Mode Rejection: -30dB Minimum @1MHz ~ 50MHz

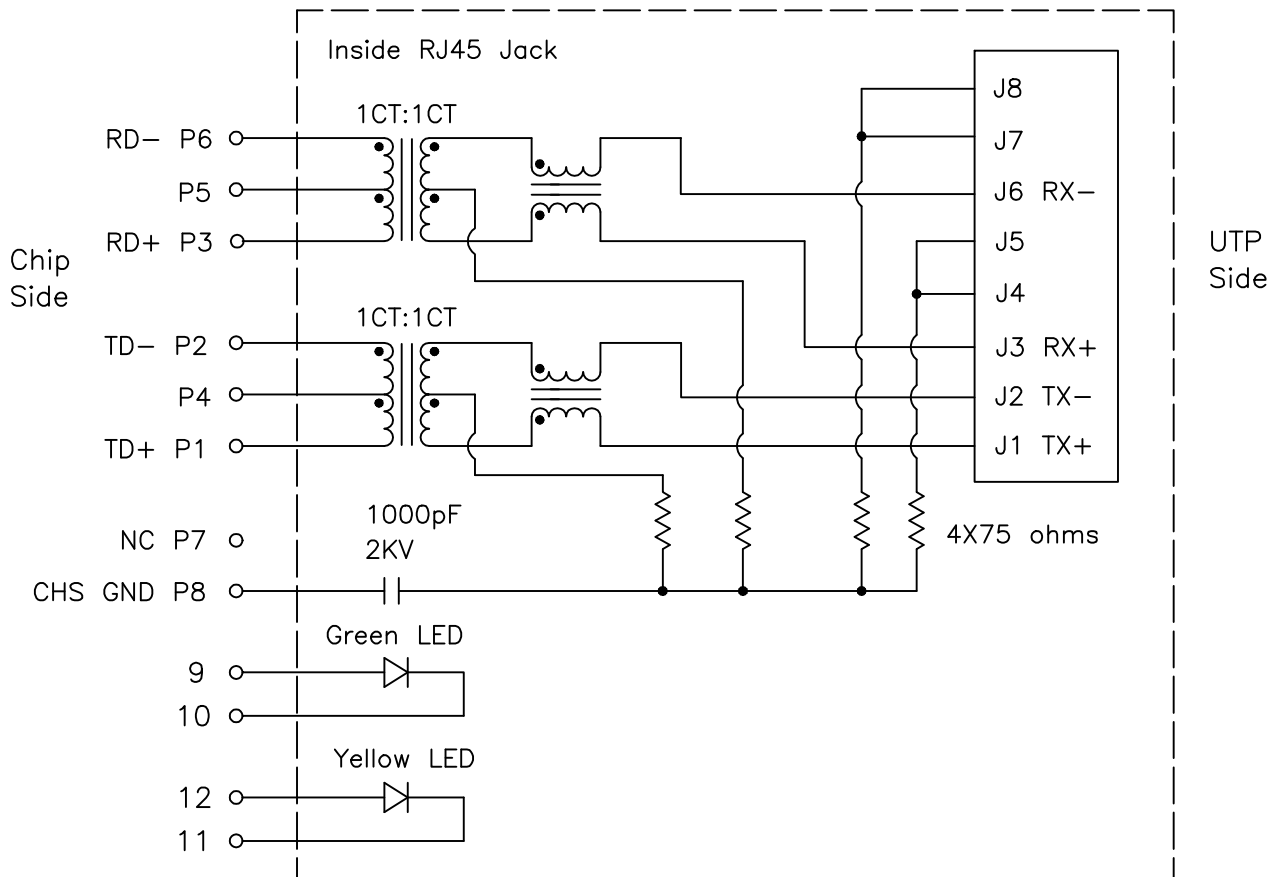
-20dB Minimum @50MHz ~ 150MHz

Crosstalk: -40dB Minimum @1MHz ~ 30MHz

-35dB Minimum @30MHz ~ 60MHz

-30dB Minimum @60MHz ~ 100MHz

Schematics



Notes: Connect CHS GND to PCB Ground

Part No.: HR911105	Unless otherwise specified, Tolerance:	Rev: A	DRWN:	Date:
Dimensions in mm	.xx ±0.25	Page 1/1	APPD:	Date: