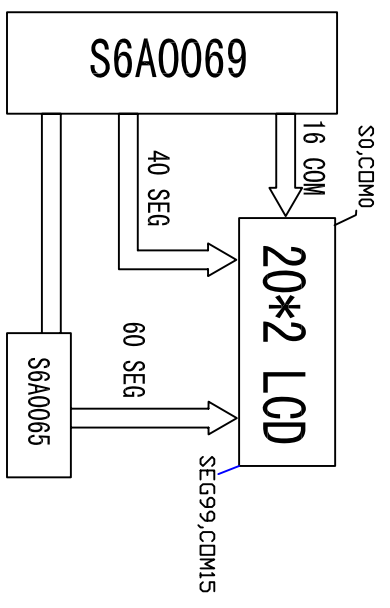
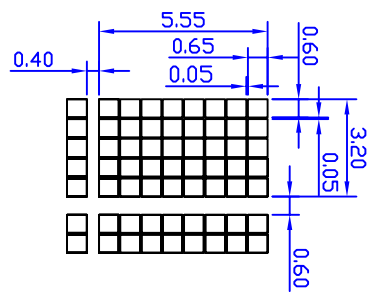
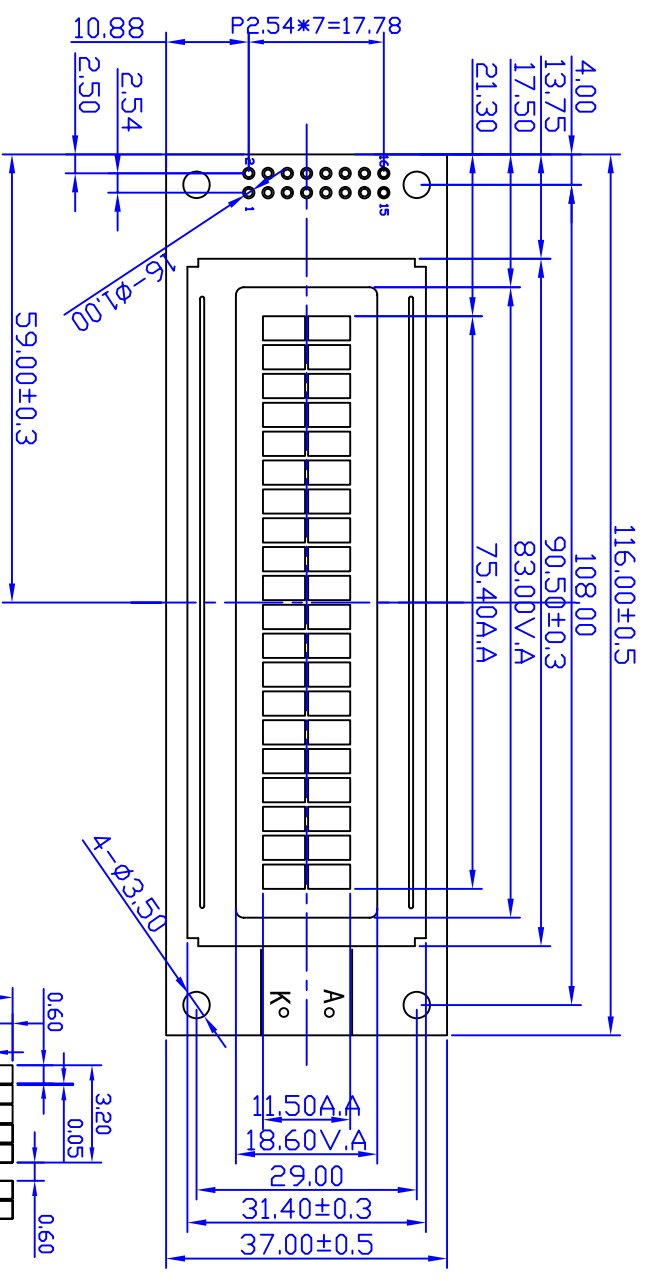
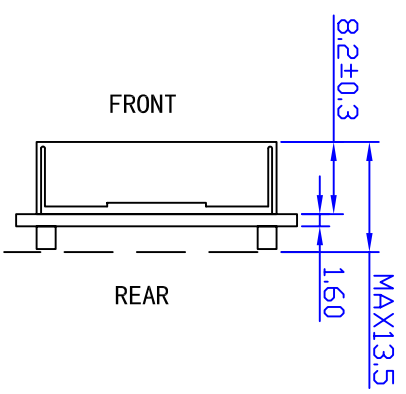


REV.	CHANGE CONTENT	BY	DATE



- NOTE:
1. DISPLAY TYPE: STN, POSITIVE, TRANSPARENT, GRAY
  2. VIEWING DIR: 6:00
  3. DRIVE METHOD: 1/16 DUTY, 1/5 BIAS, V<sub>op</sub> 4.5V VDD=5.0V
  4. DP TEMP: -20~70°C
  5. ST TEMP: -30~80°C
  6. DRIVER IC: S6A0069  
S6A0065
  7. LED B/L: VF=5.0±0.2V, IF=45mA  
COLDR: WHITE

PIN NO.	1	2	3	4	5	6	7	8	9	10	11	12	13	14	15	16
SYMBOL	VSS	VDD	V0	RS	R/W	E	D0	D1	D2	D3	D4	D5	D6	D7	A	K

TOLERANCE		HT DISPLAY CO., LTD.		DRAWING No. : HC200201C-GF62L-VG	
>0~6	±0.10	DESIGN	ZOUYS	061110	STANDARD
>6~80	±0.20	CHECKED			TECHNOLOGY
>80~240	±0.30	APPROVED			Q.A
>240~400	±0.50				
// 1.0	±0.10				