

**PLEASE CHECK WWW.MOLEX.COM FOR LATEST PART INFORMATION**

**Part Number:** **0015060105**  
**Status:** **Active**  
**Overview:** minifit\_bmi  
**Description:** 4.20mm (.165") Pitch Mini-Fit BMI™ Plug Housing, Dual Row with Panel Mount Ears, PA Polyamide Nylon 6/6, UL 94V-2, 10 Circuits

**Documents:**

[3D Model](#) [Product Specification PS-5556-002 \(PDF\)](#)  
[Drawing \(PDF\)](#) [RoHS Certificate of Compliance \(PDF\)](#)

**Agency Certification**

CSA LR19980  
 UL E29179

**General**

Product Family Crimp Housings  
 Series 42475  
 Comments Current = 13A max. per circuit when header is mated to a receptacle loaded with 45750 series terminals crimped to 16 AWG wire. . See Molex product specification PS-45750-001 for additional current de-rating information.  
 MolexKits Yes  
 Overview minifit\_bmi  
 Product Name Mini-Fit BMI™

**Physical**

Circuits (maximum) 10  
 Color - Resin Natural  
 Flammability 94V-2  
 Gender Male  
 Glow-Wire Compliant No  
 Lock to Mating Part Yes  
 Material - Resin Nylon  
 Number of Rows 2  
 Packaging Type Bag  
 Panel Mount Yes  
 Pitch - Mating Interface (in) 0.165 In  
 Pitch - Mating Interface (mm) 4.20 mm  
 Polarized to Mating Part Yes  
 Stackable No  
 Temperature Range - Operating -40°C to +105°C

**Electrical**

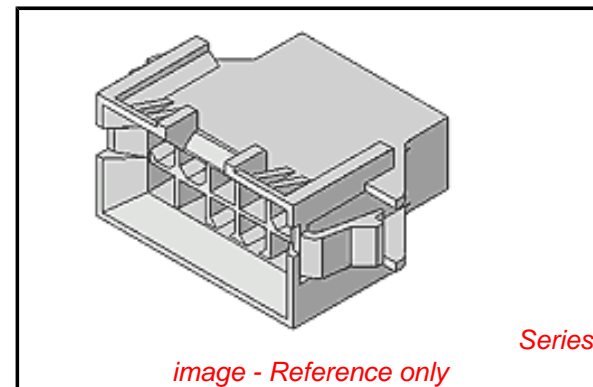
Current - Maximum per Contact 13A

**Material Info**

Old Part Number 42475-1011

**Reference - Drawing Numbers**

Packaging Specification PK-42474-001  
 Product Specification PS-5556-002  
 Sales Drawing SD-42475-\*\*\*1  
 Test Summary TS-5556-002



**EU RoHS**

**ELV and RoHS Compliant**  
**REACH SVHC Contains SVHC: No**  
**Halogen-Free Status**  
**Not Reviewed**

**China RoHS**



**Need more information on product environmental compliance?**

Email [productcompliance@molex.com](mailto:productcompliance@molex.com)  
 For a multiple part number RoHS Certificate of Compliance, [click here](#)

Please visit the [Contact Us](#) section for any non-product compliance questions.

**Search Parts in this Series**

[42475Series](#)

**Mates With**

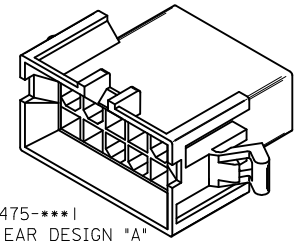
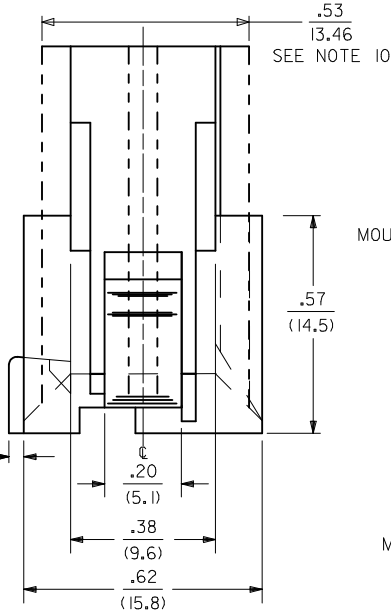
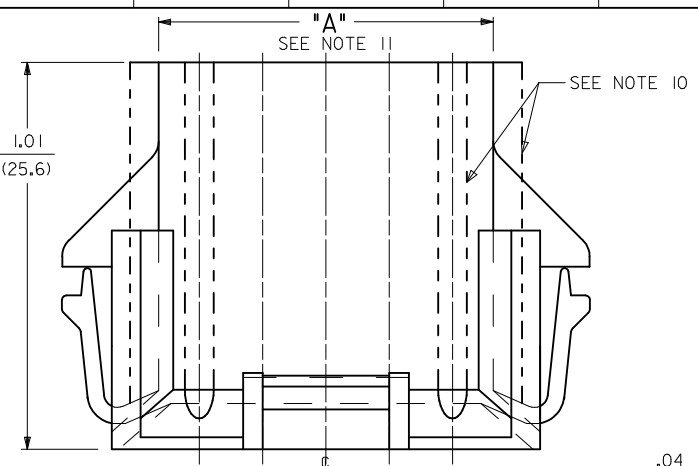
[15-06-0100](#) Mini-Fit BMI Panel Mount Receptacle, [42385](#) Mini-Fit BMI 10 Circuit, UL 94V-2 Vertical Receptacle Headers, [44475-1011](#) Mini-Fit BMI HCS Vertical Receptacle Header, [39-01-2100](#) Mini-Fit Jr. Receptacle

**Use With**

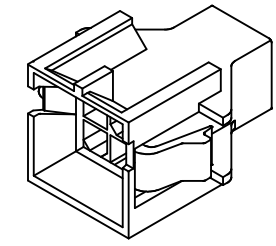
[46012](#) Mini-Fit Plus HCS™ Crimp Terminal, [5558](#) Mini-Fit™ Crimp Terminal

This document was generated on 06/07/2010

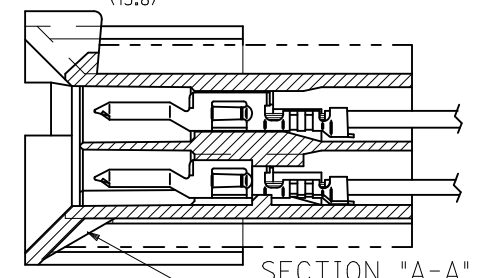
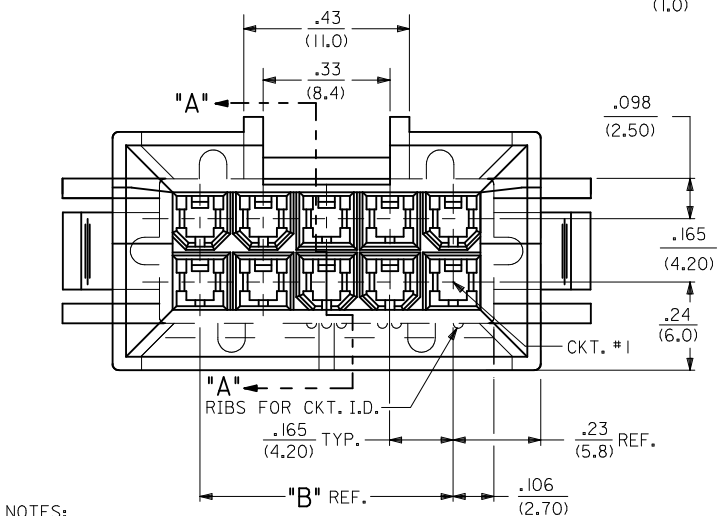
**PLEASE CHECK [WWW.MOLEX.COM](http://WWW.MOLEX.COM) FOR LATEST PART INFORMATION**



42475-\*\*\*1  
MOUNTING EAR DESIGN "A"  
(SEE NOTE 9)

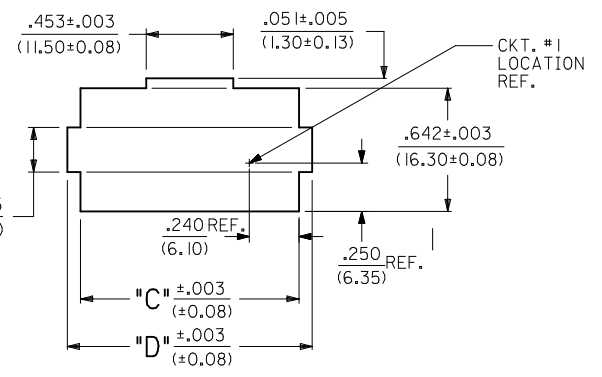


42475-\*\*\*1  
MOUNTING EAR DESIGN "B"  
(SEE NOTE 9)



SECTION "A-A"  
TERMINAL ORIENTATION

SEE NOTE #13



RECOMMENDED CUT-OUT FOR .063/(1.60)  
MAX. THICK P.C. BOARD. (6-24 CKT'S.)

SCALE: 2X

CIRCUIT SIZE	DIM. "A"	DIM. "B"	DIM. "C"	DIM. "D"
6	.54 (13.8)	.33 (8.4)	.807 (20.50)	.945 (24.00)
8	.71 (18.0)	.50 (12.6)	.972 (24.70)	1.110 (28.20)
10	.87 (22.2)	.66 (16.8)	1.138 (28.90)	1.276 (32.40)
12	1.04 (26.4)	.83 (21.0)	1.303 (33.10)	1.441 (36.60)
14	1.20 (30.6)	.99 (25.2)	1.469 (37.30)	1.606 (40.80)
16	1.37 (34.8)	1.16 (29.4)	1.643 (41.50)	1.772 (45.00)
18	1.54 (39.0)	1.32 (33.6)	1.799 (45.70)	1.937 (49.20)
20	1.70 (43.2)	1.49 (37.8)	1.965 (49.90)	2.102 (53.40)
22	1.87 (47.4)	1.65 (42.0)	2.130 (54.10)	2.268 (57.60)
24	2.03 (51.6)	1.82 (46.2)	2.295 (58.30)	2.433 (61.80)

NOTES:

- 1) MATERIAL:
  - 1 = NYLON (PA6/6), UNFILLED, UL94 V-2, COLOR: NATURAL
  - 2 = NYLON (PA6/6), UNFILLED, UL94 V-0, COLOR: NATURAL
  - 3 = NYLON (PA6/6), UNFILLED, UL94 V-2, COLOR: BLACK
  - 4 = NYLON (PA6/6), UNFILLED, UL94 V-0, COLOR: BLACK
- 2) FINISH NOT APPLICABLE.
- 3) THIS PART CONFORMS TO MOLEX PRODUCT SPEC. NO. PS-5556-002.
- 4) PACKAGING: PK-42474-001
- 5) 6-24 CKT. PARTS MATE WITH MOLEX RECEPTACLES 5557, 42385 AND 42474. 2 AND 4 CKT. PARTS MATE WITH 42385 AND 42474 ONLY.
- 6) PART IS FOR USE WITH MALE TERMINAL #5558.
- 7) PART ALLOWS FOR UP TO .100/(2.54) MISALIGNMENT WITH MATING RECEPTACLE IN ANY DIRECTION. SEE MATING CONNECTOR DRAWINGS FOR SPECIFIC ALLOWANCES.
- 8) PANEL CUT-OUT TO BE PUNCHED IN THE SAME DIRECTION AS CONNECTOR INSERTION.
- 9) PARTS MANUFACTURED AFTER 95/12/31 MAY HAVE MOUNTING EAR DESIGN "B" PARTS WITH MOUNTING EAR DESIGN "A" WILL BE OBSOLETE AS TOOL LIFE DICTATES. IN SOME CASES, PARTS MAY BE AVAILABLE WITH BOTH MOUNTING EAR DESIGNS. SEE CHART ON SHEET 4 FOR SPECIFIC EAR DESIGN AVAILABILITY.

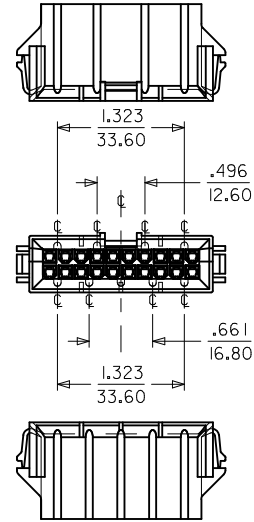
- 10) FOR MANUFACTURING EASE PARTS MAY HAVE OPTIONAL EJECTOR RIBS. SEE SHT. 3 FOR LOCATION.
- 11) DIMENSION DOES NOT INCLUDE EJECTOR RIBS (SEE PAGE #3 FOR PARTS WITH RIBS, RIB DIMENSIONS AND LOCATION).
- 12) IF THIS PRODUCT IS STORED IN AN ENVIRONMENT WITH A RELATIVE HUMIDITY OF LESS THAN 50%, MOISTURE MUST BE ADDED. REFER TO TECHNICAL ADVISORY AS-45499-001 FOR INSTRUCTIONS.
- 13) INTERIOR RIB LOCATION MAY VARY.

- 14) CONNECTOR ASSEMBLIES ARE NOT TO BE MATED OR UNMATED WHILE CIRCUITS ARE LIVE.
- 15) WIRES ARE TO BE DRESSED IN SUCH A MANNER TO ALLOW THE TERMINALS TO FLOAT FREELY IN THE POCKET.
- 16) PART CONFORMS TO CLASS "B" REQUIREMENTS OF COSMETIC SPECIFICATION PS-45499-022.

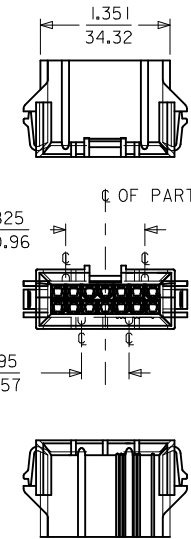
4	S7
3	S7
2	S6
1	S7
SHEET REV	

ADD -0641 EC NO: UCP2010-3048 DRWNG: JAGUILAR 2010/05/28 CHKD: J.BELL 2010/05/28 APPR: FSMITH 2010/06/11 S7	QUALITY SYMBOLS ∇=0 ∇=0 ∇=0	GENERAL TOLERANCES (UNLESS SPECIFIED) <table border="1"> <tr> <th></th> <th>mm</th> <th>INCH</th> </tr> <tr> <td>4 PLACES</td> <td>± ---</td> <td>± ---</td> </tr> <tr> <td>3 PLACES</td> <td>± ---</td> <td>± .010</td> </tr> <tr> <td>2 PLACES</td> <td>± 0.25</td> <td>± .015</td> </tr> <tr> <td>1 PLACE</td> <td>± 0.38</td> <td>± ---</td> </tr> </table>		mm	INCH	4 PLACES	± ---	± ---	3 PLACES	± ---	± .010	2 PLACES	± 0.25	± .015	1 PLACE	± 0.38	± ---	DIMENSION STYLE <b>IN/MM</b> DRAWN BY: GEP DATE: 1989/07/18 CHECKED BY: R.J.F. DATE: 1989/07/18 APPROVED BY: FSMITH DATE: 2010/03/17	SCALE: 4:1 DESIGN UNITS: METRIC THIRD ANGLE PROJECTION	MATERIAL NO. <b>SEE SHEET 4</b>	DOCUMENT NO. <b>SD-42475-***1</b>	SHEET NO. 1 OF 4
		mm	INCH																			
	4 PLACES	± ---	± ---																			
	3 PLACES	± ---	± .010																			
2 PLACES	± 0.25	± .015																				
1 PLACE	± 0.38	± ---																				
DRAFT WHERE APPLICABLE MUST REMAIN WITHIN DIMENSIONS		THIS DRAWING CONTAINS INFORMATION THAT IS PROPRIETARY TO MOLEX INCORPORATED AND SHOULD NOT BE USED WITHOUT WRITTEN PERMISSION																				
PLUG HOUSING B.M.I. 2-24 CIRCUITS MINI-FIT SERIES <b>MOLEX INCORPORATED</b>																						
SEE SHEET 2 FOR 2 & 4 CKT. PARTS																						

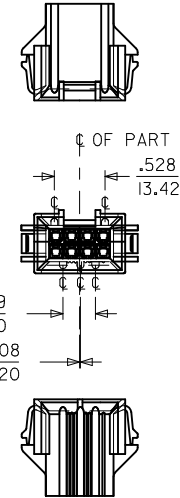
SEE SHEET 2 FOR 2 & 4 CKT. PARTS



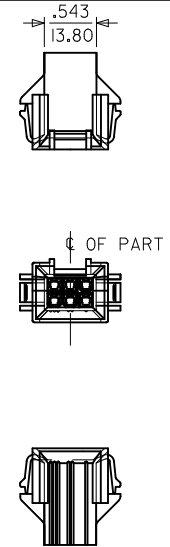
20 CIRCUIT



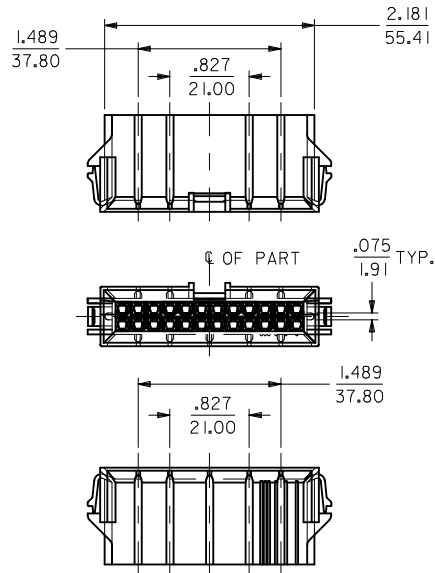
OR



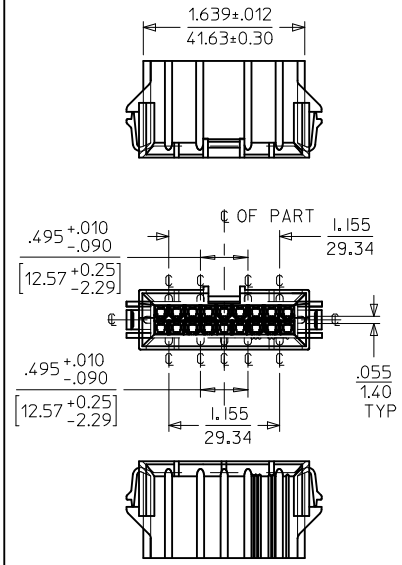
8 CIRCUIT



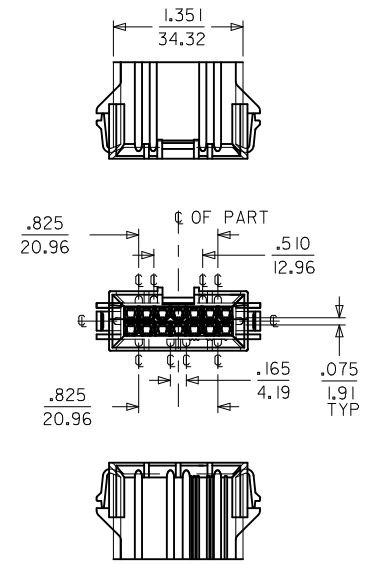
6 CIRCUIT



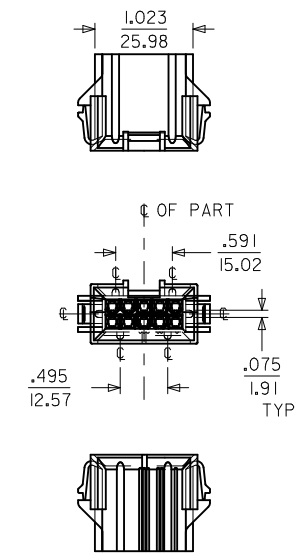
24 CIRCUIT



18 CIRCUIT



14 CIRCUIT



10 CIRCUIT

NOTES:

1) DIMENSIONS GIVEN ACROSS CENTERLINES ARE SYMMETRICAL ABOUT THOSE CENTERLINES WITHIN HALF THE TOTAL TOLERANCE.

SEE SHEET 1  
 EC NO: UCP2010-3048  
 DRAWN: JAGUILAR  
 CHKD: JEBEL  
 APPR: FSMITH

REV	DESCRIPTION
5	

QUALITY SYMBOLS  
 ▽=0  
 ▽=0  
 ▽=0

GENERAL TOLERANCES (UNLESS SPECIFIED)

	mm	INCH
4 PLACES	± .010	± .0004
3 PLACES	± .015	± .0006
2 PLACES	± 0.25	± .010
1 PLACE	± 0.38	± .015

ANGULAR ±1/2°

DRAFT WHERE APPLICABLE MUST REMAIN WITHIN DIMENSIONS

DIMENSION STYLE		SCALE		DESIGN UNITS	
IN/MM		---		METRIC	
DRAWN BY	DATE	TITLE			
CM	1998/04/16	PLUG HOUSING B.M.I 2-24 CIRCUITS MINI-FIT SERIES			
CHECKED BY	DATE				
MAB	1998/04/16				
APPROVED BY	DATE				
RE	1998/04/16				
MATERIAL NO.	DOCUMENT NO.				
SEE SHEET 4	SD-42475-***1				

THIRD ANGLE PROJECTION

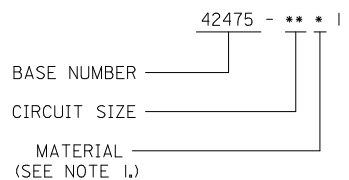
**MOLEX INCORPORATED**

SHEET NO. 3 OF 4

THIS DRAWING CONTAINS INFORMATION THAT IS PROPRIETARY TO MOLEX INCORPORATED AND SHOULD NOT BE USED WITHOUT WRITTEN PERMISSION

	13	12	11	10	9	8	7	6	5	4	3	2	1	
	PART NUMBER	ENG. NUMBER	CKT. SIZE	MATERIAL (SEE NOTE 1.)	PART NUMBER	CKT. SIZE	MATERIAL (SEE NOTE 1.)	MOUNTING EAR TYPE						
								CKT. SIZE	DESIGN A, DESIGN B (SEE SHEET I)					
J	NOT TOOLED	42475-0211	2	I	NOT TOOLED	2	3			42475-***2I, 5558-GS*	42474-***2I, 5556-PBGS*P	94V-0	PHOS. BRZ.	GOLD
	I5-06-0045	42475-0411	4	↑	42475-0431	4	↑	2	N/A	42475-***1I, 5558-GS*	42474-***1I, 5556-PBGS*P	94V-2	BRASS	GOLD
	I5-06-0065	42475-0611	6		42475-0631	6		4	B	42475-***2I, 5558-GS*	42474-***2I, 5556-GS*P	94V-0	PHOS. BRZ.	TIN
	I5-06-0085	42475-0811	8		42475-0831	8		6	B	42475-***1I, 5558-PBS*	42474-***1I, 5556-PBS*P	94V-2	BRASS	TIN
I	I5-06-0105	42475-1011	10		42475-1031	10		8	A	42475-***2I, 5558-S*	42474-***2I, 5556-S*P	94V-0	PHOS. BRZ.	GOLD
	NOT TOOLED	42475-1211	12		NOT TOOLED	12		10	B	42475-***1I, 5558-GS*	A-42385-***D2	94V-0	BRASS	GOLD
	I5-06-0145	42475-1411	14		42475-1431	14		12	N/A	42475-***2I, 5558-GS*	A-42385-***C2	94V-2	PHOS. BRZ.	TIN
	NOT TOOLED	42475-1611	16		NOT TOOLED	16		14	B	42475-***1I, 5558-GS*	A-42385-***B2	94V-0	BRASS	GOLD
H	I5-06-0185	42475-1811	18		42475-1831	18		16	N/A	42475-***1I, 5558-GS*	A-42385-***A2	94V-2	PHOS. BRZ.	TIN
	I5-06-0205	42475-2011	20		42475-2031	20		18	A & B	42475-***2I, 5558-PBS*	A-42385-***D1	94V-0	BRASS	TIN
	NOT TOOLED	42475-2211	22	↓	NOT TOOLED	22	↓	20	A	42475-***1I, 5558-PBS*	A-42385-***C1	94V-2	PHOS. BRZ.	TIN
	I5-06-0245	42475-2411	24	I	42475-2431	24	3	22	N/A	42475-***2I, 5558-S*	A-42385-***B1	94V-0	BRASS	TIN
								24	B	42475-***1I, 5558-S*	A-42385-***A1	94V-2		
										PLUG HOUSING/ MALE TERMINAL	MATING CONNECTOR	HSG. MAT'L. MATING CONNECTOR FEATURES	TERM. MAT'L.	PLATING
G	NOT TOOLED	42475-0221	2	2	NOT TOOLED	2	4							
	I5-06-0046	42475-0421	4	↑	42475-0441	4	↑							
F	I5-06-0066	42475-0621	6		42475-0641	6								
	50-36-2323	42475-0821	8		42475-0841	8								
	I5-06-0106	42475-1021	10		42475-1041	10								
	NOT TOOLED	42475-1221	12		NOT TOOLED	12								
E	I5-06-0146	42475-1421	14		42475-1441	14								
	NOT TOOLED	42475-1621	16		NOT TOOLED	16								
	I5-06-0186	42475-1821	18		42475-1841	18								
	I5-06-0206	42475-2021	20		42475-2041	20								
D	NOT TOOLED	42475-2221	22	↓	NOT TOOLED	22	↓							
	I5-06-0246	42475-2421	24	2	42475-2441	24	4							

**LEGEND:**



<b>ADD -0641</b> EC NO: UCP2010-3048 DRWN: JAGUILAR 2010/05/28 CHKD: J.BELL 2010/05/28 APPR: FSMITH 2010/06/11	QUALITY SYMBOLS	GENERAL TOLERANCES (UNLESS SPECIFIED)	DIMENSION STYLE	SCALE	DESIGN UNITS	THIRD ANGLE PROJECTION
	▽=0	mm INCH	IN/MM	---	METRIC	
	▽=0	4 PLACES ± --- ± ---	DRAWN BY DATE	TITLE		
	▽=0	3 PLACES ± --- ±.010	GEP 1989/07/18	PLUG HOUSING B.M.I. 2-24 CIRCUITS, MINI-FIT SERIES		
	2 PLACES ± 0.25 ±.015	CHECKED BY DATE	MOLEX MOLEX INCORPORATED			
	1 PLACE ± 0.38 ± ---	RJF 1989/07/18	SD-42475-***1			
	ANGULAR ±1/2°	APPROVED BY DATE	SHEET NO.			
		RAS 1989/07/18	4 OF 4			
		MATERIAL NO.	DOCUMENT NO.			
		SEE CHART	THIS DRAWING CONTAINS INFORMATION THAT IS PROPRIETARY TO MOLEX INCORPORATED AND SHOULD NOT BE USED WITHOUT WRITTEN PERMISSION			
		DRAFT WHERE APPLICABLE MUST REMAIN WITHIN DIMENSIONS				