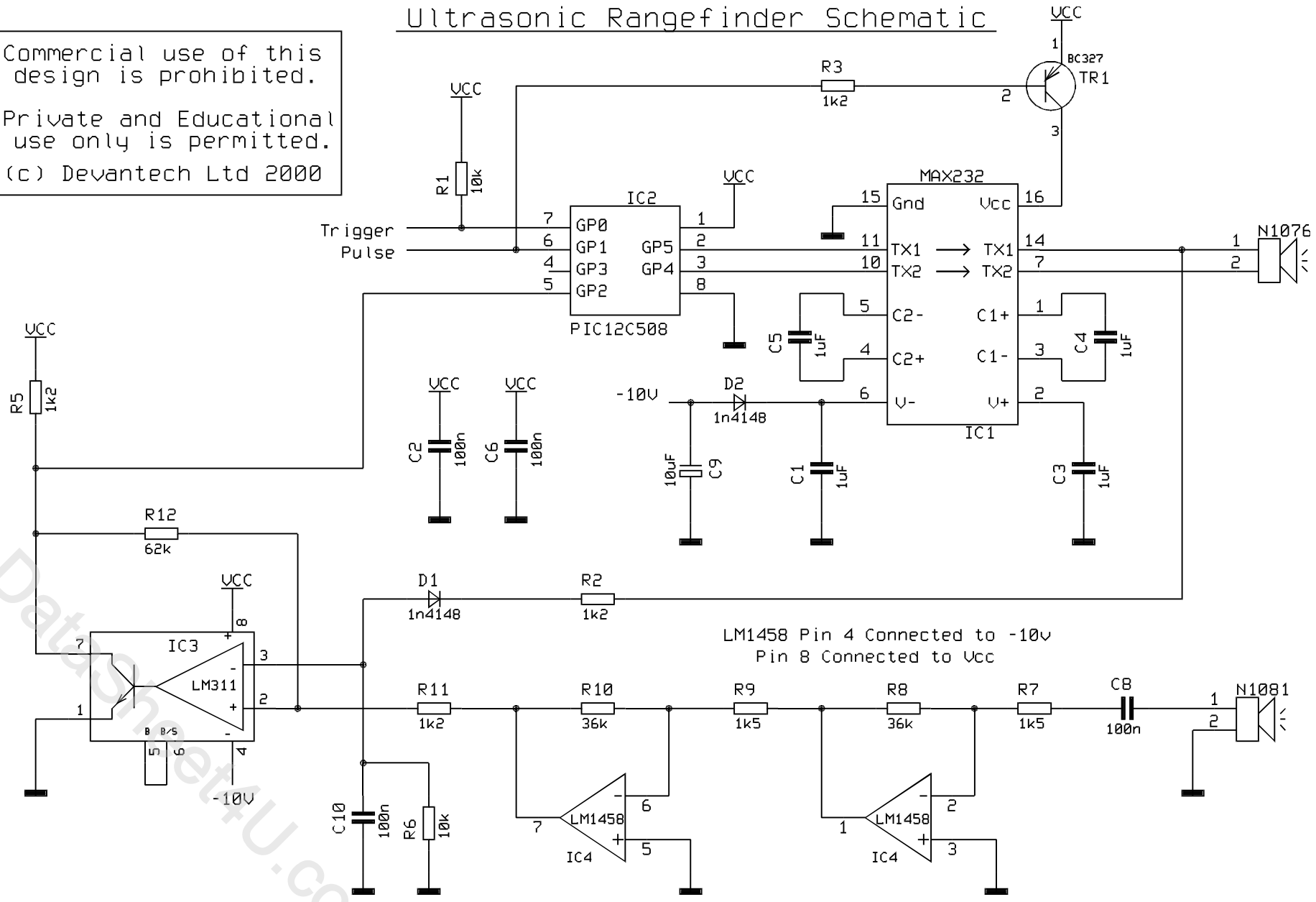


# Ultrasonic Rangefinder Schematic

Commercial use of this design is prohibited.  
 Private and Educational use only is permitted.  
 (c) Devantech Ltd 2000



LM1458 Pin 4 Connected to -10V  
 Pin 8 Connected to Ucc