

TPV PART NO.		PART DESCRIPTION	SUPPLIER	SUPPLIER TYPE
56G/T/K608-10		IC	O2MICRO	OZ9938GN SOIC-16
APPROVAL SHEET NO.		QUANTITY	SUPPLIER CODE	SUPPLIER PLANT
TZA060275			9000006	
CUSTOMS DUTY PARTS		<input checked="" type="checkbox"/> YES <input type="checkbox"/> NO	CLASSIFY CODE	LE56E/VE56E
SAFETY PARTS		<input type="checkbox"/> YES <input checked="" type="checkbox"/> NO	SAFETY CONTROLLED MARKING	<input type="checkbox"/> YES <input checked="" type="checkbox"/> NO
CERTIFICATE FOR CHINA COMPULSORY PRODUCT CERTIFICATION (CCC/CQC)				<input type="checkbox"/> YES <input checked="" type="checkbox"/> NO
VERSION	B	RELEASED DATE	03/21'06	<input checked="" type="checkbox"/> 1st source <input type="checkbox"/> 2nd source
NOTE:				
<p>機種： Gateway 15",17",19" LCD Monitor</p> <ul style="list-style-type: none"> ● RoHS 料件。 ● 來料外箱 BARCODE 下方需加盖 TPV 要求之标准 “RoHS” 印章。 <p>After 252,500pcs of OZ9938GN-A2 delivery then will transfer to OZ9938GN-B.</p> <ul style="list-style-type: none"> ● 67,500 rev A2: 3/10 ● 185,000 rev A2 3/27. <p><input type="checkbox"/> 規格書第 1-18 頁，包裝資料第 19 頁，測試報告第 0 頁， ROHS 資料第 20-22 頁，SONY 資料第 0 頁</p>				
注意:				
<p>1. 零件产品的任何内容變更，特别是原材料、制程、模具、產地、MARK、關鍵工序之生產設備、网板、設計、規格等影响到电气特性、信賴性、作业性方面的變更，供應商均須以 ECR 的方式通知 TPV RD, TPV RD 核准後方可導入變更。</p> <p>2. 零件規格的變更必須詳細記錄到版本變更履歷中，同時必須提供舊料切换控制、版本控制的方式。</p> <p>3. 供应商应建立体系对其次级供应商进行管理。</p>				
NOTICE:				
<p>1. Any contents changed of component, especially material, process, die, plant, mark, equipment of key process, halftone, design, specification etc affect component electrical characteristic and reliability and working characteristic changed of production, the supplier should be inform TPV RD the changed information with TPV ECR form. Only TPV RD approval the ECR, supplier cans instruction the changed.</p> <p>2. Component spec must be minute detail changed in version record, and provide old version production changed mode, version control mode.</p> <p>3. The vendor need build a system to manage sub-tier.</p>				

SIGNATURE

COMPONENT ENGINEER

詹傳祥 3/21

ELECTRONIC PROJECT ENGINEER

李 志 斌 3/22

SAFETY ENGINEER

 /

MECHANICAL PROJECT ENGINEER

 /

EMC ENGINEER

 /

CHECKED BY

 /

APPROVER BY

Jeffery 3/22/06

捷联大量试跑追跑单

试跑目的: 试跑升级版本 IC 产线: 肖芳芳 ^{7.27.28 mwa lab} 生管: 肖芳芳

试跑料件资讯

料号: 566608-10	点位: IC801	品名规格: 029938B	厂商:
料号:	点位:	品名规格:	厂商:
料号: pw1742cmw2-sm77	点位:	品名规格:	厂商:
试跑机种: 7780KMCHKGYKVP	工单: 1015323	数量: 50	
试跑线别: L2 M16 SM7	台帐: 杨高 3/1		
RD 测试号码:			

《技术通报》号码: RDL17-06-128

品质追踪流程

单位	试跑品质状况	签核
A/I	外包装未追踪	
基座	无不良	杨高 3/15
包装	无不良	杨高 3/15
QOA		
QE	OK 加温 120ms. 制程无不良 何所华 3/15	
RD		

杨明盛

henry.chan 詹傳祥

www.DataSheet4U.com

寄件者: Jonathan Shao [jonathanshao@anwon.com.tw]

寄件日期: 2006年3月10日星期五 上午 10:49

收件者: henry.chan 詹傳祥

主旨: OZ9938: PCN 060103a

Dear Henry;

After 252,500pcs of OZ9938GN-A2 delivery then will transfer to OZ9938GN-B.

- 67,500 rev A2: 3/10
- 185,000 rev A2 3/27.

Best Regards;

Jonathan Shao
An Won Enterprise Co.,LTD.
Tel:886-2-2696-2450
Fax:886-2-2696-2615
Cell:886-933100662

----- Original Message -----

From: [Jonathan Shao](#)

To: [henry.chan 詹傳祥](#)

Sent: Tuesday, March 07, 2006 11:28 AM

Subject: OZ9938: PCN 060103a

FYI.

Best Regards;

Jonathan Shao
An Won Enterprise Co.,LTD.
Tel:886-2-2696-2450
Fax:886-2-2696-2615
Cell:886-933100662

----- Original Message -----

From: [Jonathan Shao](#)

To: [Benson -Tpvaoc](#)

Cc: [Guass.chen-Tpvaoc](#) ; [chunfu.lin@tpvaoc.com](#) ; [cc.lee@tpvaoc.com](#) ; [carl.wu@tpvaoc.com](#)

Sent: Monday, February 06, 2006 10:04 AM

Subject: OZ9938: PCN 060103a

Dear Sir;

FYI.

Best Regards;

Jonathan Shao
An Won Enterprise Co.,LTD.
Tel:886-2-2696-2450
Fax:886-2-2696-2615
Cell:886-933100662

----- Original Message -----

From: [Richard Schiffer \(SC\)](#)

To: [Hogan Hsu \(TP\)](#) ; jonathanshao@anwon.com.tw

Cc: [Arthur Su \(TP\)](#) ; [Steve Lee \(TP\)](#) ; adylee@anwon.com ; [Ken Yang \(SC\)](#) ; [Ching Kuo \(TP\)](#) ; [Richard Schiffer \(SC\)](#)

Sent: Thursday, February 02, 2006 5:57 AM

Subject: OZ9938: PCN 060103a

Hogan,

Attached is letter.

This should satisfy TPV.

BR

Rich

02 February 2006

To: TPV/AOC
From: Rich Schiffer
Subject: OZ9938: PCN 060103a

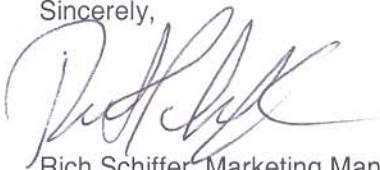
To Whom It May Concern:

Recently, you have received the subject PCN indicating a product revision change from A2 to B. The reason for the PCN is to advise TPV/AOC that a seal ring was added to the fabrication process. This change will enhance the quality of OZ9938 when used in certain applications, where the IC is operating at an ambient temperature of >100 degrees C.

The additional of the seal ring has NO affect on the performance or the Electrical Characteristics on pages 3 and 4 of the OZ9938 datasheet. In other words, the datasheet will remain at version 1.1

If you any further questions, please contact Jonathan or Hogan.

Sincerely,




Rich Schiffer, Marketing Manager
Intelligent Lighting Group
Phone: (408) 987-5920, ext. 8079
Email: Richard.schiffer@o2micro.com

cc: Hogan Hsu
Jonathan Shao



Product Change Notification

FORM- 034 Rev.00

PCN Number: PCN-060103a		Date: January 20, 2006
Customer: All applicable customers		
Affected Part ID: OZ9938GN/DN	Package Type: 16SOP/16PDIP	Revision: A2
New Part ID: No Change	Package Type: No Change	Revision: B
Description of Changes: Add the Die Seal Ring outside the active Die Area.		
Reason for Change: Quality Enhancement.		
Anticipated Impact on Form, Fit, Function, or Reliability: None.		
Qualification Plan: Available upon request		
Estimated Date of Implementation:		March 1, 2006
Date of Available Qualified Sample:		Now
O2Micro Contact Person		
Name:	Ken Yang	Phone: 408- 987-5920
E-Mail:	ken.yang@o2micro.com	Fax: 408- 987-5929
Address:	3118 Patrick Henry Drive, Santa Clara, CA 95054 U.S.A.	
Attachment: None		
Signature:  Tactical Marketing Manager, O2Micro		

APPROVAL SHEET

www.DataSheet4U.com

Customer Name : TPV(AOC)
O2 Part Number : OZ9938GN
Revision : B
Description : LCDM Inverter Controller
Package Type : 16 SOIC Lead-Free
Pack Type : Tube or T&R
Quantity per Type : 48 or 2,500
Quantity per Inner Box : 4,800 or 2,500
Quantity per Ship Box : 28,800 or 12,500

APPROVED BY:

Print Name and Signature

Date

*** Please fax back a signed copy to O₂ Micro attn: Angela Chang at (03) 564-4273 ***
***THANK YOU ***



Tel : (02) 2545-9095 ■ Fax : (02) 2545-9583
(03) 578-7448 ■ (03) 578-7897
4F, No.150, Duenhua N. Road, Taipei, Taiwan, 105
5F, No.36, Lane162, Keshiueyuan Road, Hsin Chu, Taiwan, 300

APPSHT0049-AC-DS-1.1 01/26/06
Recipient#106454

Change Summary

CHANGES

No.	Applicable Section	Description	Page(s)
1.	Electrical Characteristics	Update ' Protection release threshold ' in 'Timer & protection' parameter Min & Max limits	3
2.	Throughout datasheet	Miscellaneous changes	---

REVISION HISTORY

Revision No.	Description of change	Release Date
0.60	Initial release	5/12/2005
0.65	1. Electrical Characteristics: <u>a.</u> Modify general test conditions in line 1; <u>b.</u> Modify 'Driver Frequency – Striking & Normal Operation' Typ limit; <u>c.</u> Modify 'PWM Dimming Control – LCT frequency'. 2. Reference Application Circuit: Modify C14, C9 & R9 values	6/27/2005
1.0	1. Ordering Information: Add OZ9938G, IG, D & DN. 2. Recommended Operating Range: a. Add 'Dimming Range'; b. Fill in 'Thermal Impedance'. 3. Electrical Characteristics: a. Update 'Supply Current' limits; b. Update 'Soft Start' limits; c. Update 'Under Voltage Lockout' limits; d. Update 'Reference Voltage' limits; e. Update 'Driver Frequency' limits; f. Update 'Timer & Protection' limits; g. Update 'Drivers' parameter name & limits; h. Update 'PWM Dimming Control' limits; i. Delete 'Analog Dimming Control'. 4. Function Description: Update formula in NO. 4 Ignition, No. 6 Normal Operation & No. 9 Dimming Control. 5. Package Information: Add DIP package drawing.	9/22/2005

Recipient #106454 printed on 1/25/2006. This is a ONE-TIME copy. Updates will not be provided.

LCDM Inverter Controller

FEATURES

- Positive PWM dimming polarity
- Constant operating frequency
- Drives positive/negative-impedance lamps during ignition
- High drive current for external MOSFETs
- User-defined ignition time and shutdown delay time
- Multiple mode dimming control
- Built-in intelligence for ignition and normal operation of CCFLs
- Built-in open-lamp protection and over-voltage protection for backlight system
- Optimized soft-start function

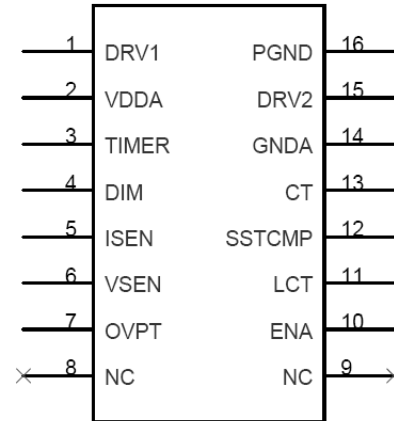
The control logic provides a regulated ignition voltage and appropriate protection features for over-voltage or over-current conditions.

The OZ9938 offers a high level of integration, while maintaining flexibility and high-efficiency operation that reduces external component heating, resulting in higher reliability and longer CCFL life. The proprietary design technique provides a simple, low-cost system solution.

ORDERING INFORMATION

Part Number	Temp Range	Package
OZ9938G	-20°C to 85°C	16-pin SOIC
OZ9938GN	-20°C to 85°C	16-pin SOIC Lead-Free
OZ9938IG	-40°C to 85°C	16-pin SOIC
OZ9938IGN	-40°C to 85°C	16-pin SOIC Lead-Free
OZ9938D	-20°C to 85°C	16-pin DIP
OZ9938DN	-20°C to 85°C	16-pin DIP Lead-Free

PIN DIAGRAM



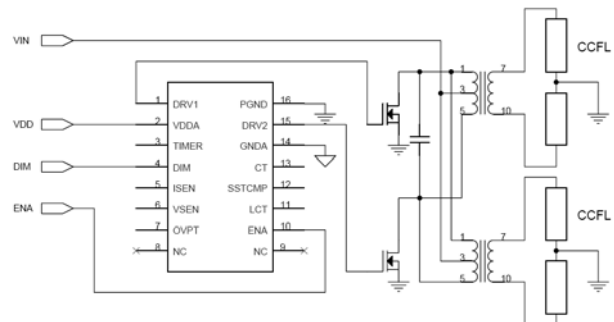
GENERAL DESCRIPTION

The OZ9938 is a high performance, cost-effective CCFL (Cold Cathode Fluorescent Lamp) controller designed for driving large-size Liquid Crystal Display (LCD) applications requiring 2 to 6 CCFLs.

The controller converts unregulated DC voltages into a nearly sinusoidal lamp voltage and current waveforms.

The OZ9938 provides two drive signals for most power conversion topologies while maintaining high-efficiency operation. The PWM controller provides a soft-start operation, current and voltage regulation, over-voltage and over-current protection, high drive capability and multiple dimming functions (internal PWM or external PWM or analog dimming functions).

SIMPLIFIED APPLICATION CIRCUIT



Recipient #106454 printed on 1/25/2006. This is a ONE-TIME copy. Updates will not be provided.

PIN DESCRIPTION

Pin No.	Names	Description
1	DRV1	Drive output
2	VDDA	Supply voltage input
3	TIMER	Timing capacitor to set striking time and shutdown delay time
4	DIM	Analog dimming or Internal LPWM dimming or external PWM pulse input for dimming function
5	ISEN	Current sense feedback
6	VSEN	Voltage sense feedback
7	OVPT	Over-voltage/ over-current protection threshold setting pin
8	NC	No connection
9	NC	No connection
10	ENA	ON/OFF control of IC
11	LCT	Timing capacitor to set internal PWM dimming frequency and also a pin for analog dimming selection
12	SSTCMP	Capacitor for soft start time and loop compensation
13	CT	Timing resistor and capacitor for operation and striking frequency
14	GNDA	Ground for analog signals
15	DRV2	Drive output
16	PGND	Ground for power paths

ABSOLUTE MAXIMUM RATINGS⁽¹⁾

Input Voltage VDDA	7.0V
GNDA	+/- 0.3V
Signal Inputs	-0.3V to VDDA +0.3V

Operating Temp.	OZ9938	OZ9938I
	-20°C to 85°C	-40°C to 85°C

Operating Junction Temp.	125°C
Storage Temp.	-55°C to 150°C

RECOMMENDED OPERATING RANGE

VDDA - Input Voltage	4.5V to 5.5V
f _{op} - Operating Frequency	20KHz to 150KHz
Analog Dimming Range	0.7V to 2.1V
Thermal Impedance (θ _{J-A})	
- 16-pin SOP	86 °C/W
- 16-pin DIP	56 °C/W

Note ⁽¹⁾: The "Absolute Maximum Ratings" are those values beyond which the safety of the device cannot be guaranteed. The device should not be operated at these limits. The "Electrical Characteristics" table defines the conditions for actual device operation. Exposure to absolute maximum rated conditions for extended periods may affect device reliability.

ELECTRICAL CHARACTERISTICS

Parameter	Symbol	Test Conditions	Limits			Unit
		VDDA=5V; Ta=25 °C R _{CT} =39Kohm, C _{CT} =470pF R _{LCT} =3.3Mohm, C _{LCT} =4.7nF	Min	Typ	Max	
Supply Current						
Stand By	I _{dds}	ENA=0V		2.0	5.0	μA
Operating	I _{dd}	Capacitance at DRV1 & DRV2=2nF	1.5	2.0	2.5	mA
Soft Start						
Current Source	ISSTCMP		1.83	2.29	2.75	μA
Under Voltage Lockout						
Lock out	UVLO	VDDA 5V→0V			3.2	V
Resume	UVLO	VDDA 0V→5V	4.0			V
Reference Voltage						
ISEN reference voltage		ISEN=SSTCMP	1.12	1.18	1.23	V
		Temperature Coefficient		360		ppm/ °C
VSEN reference voltage during striking		VSEN=SSTCMP	2.78	2.92	3.06	V
		Temperature Coefficient		310		ppm/ °C
Driver Frequency						
Striking	f _{str}		62.6	65.8	69.0	KHZ
		Temperature Coefficient		290		ppm/ °C
Normal operation	F _{op}		50.0	52.0	54.0	kHz
		Temperature Coefficient		110		ppm/ °C
Timer and Protection						
Striking current Source		ISEN =0V	2.3	2.9	3.5	uA
Open lamp and over voltage protection current Source		SSTCMP > 3.3V or VSEN>OVPT	8.0	10.0	12.0	uA
Protection release threshold			2.60	2.81	3.02	V
Drivers						
DRV1/2 source	R _{on}			12	18	Ω
DRV1/2 sink	R _{on}			5	9	Ω
Maximum duty cycle			45			%

ELECTRICAL CHARACTERISTICS (Continued)

Parameter	Symbol	Test Conditions	Limits			Unit
		VDDA=5V; Ta=25 °C R _{CT} =39Kohm, C _{CT} =470pF R _{LCT} =3.3Mohm, C _{LCT} =4.7nF	Min	Typ	Max	
PWM Dimming Control						
LCT frequency			194	200	206	Hz
ENA Threshold						
On					2.0	V
Off			1.0			V

Recipient #106454 printed on 1/25/2006. This is a ONE-TIME copy. Updates will not be provided.

Recipient #106454 printed on 1/25/2006. This is a ONE-TIME copy. Updates will not be provided.

www.DataSheet4U.com

FUNCTIONAL BLOCK DIAGRAM

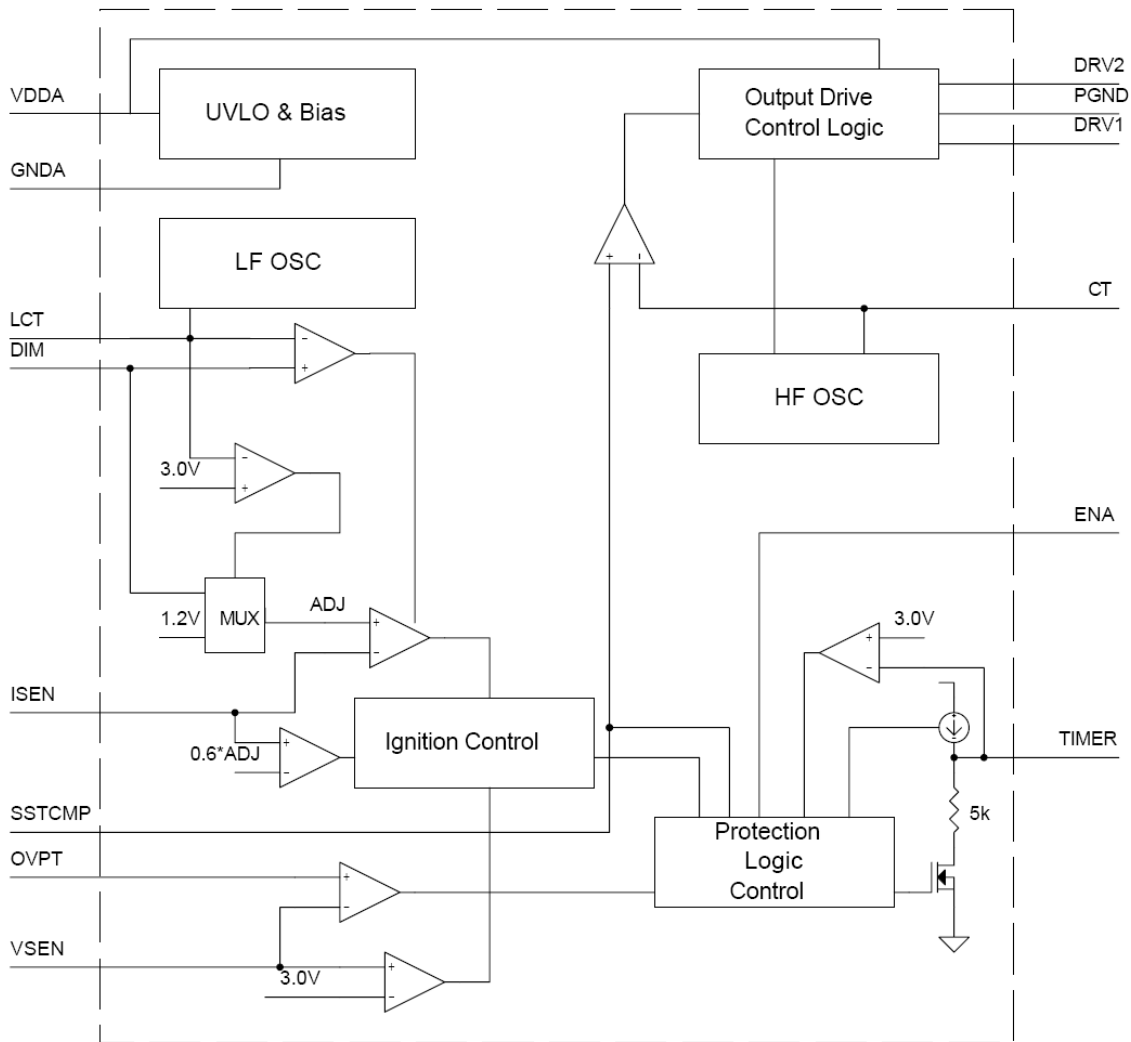


Figure 1

www.DataSheet4U.com FUNCTIONAL DESCRIPTION

1. Power Conversion

The OZ9938 controller is designed to suit various power conversion topologies and provides symmetrical drive pulses to the tank circuit that includes the transformer(s), output capacitors and the CCFL/panel load that yields quasi-sinusoidal CCFL voltage and current waveforms. High efficiency operation of the OZ9938 yields lower heat dissipation for the inverter system resulting in higher reliability.

To illustrate the controller functions, refer to Figures 1 and 2 on pages 5 and 8, respectively for the following sections.

2. Enable

Applying a voltage level greater than 2V to ENA (pin 10) enables the IC. A voltage less than 1V will disable the IC.

3. Soft-Start (SST)

Utilizing a patented multi-task technique, the soft-start function and the loop compensation function are combined to provide a good start-up characteristic. Connecting an external capacitor to SSTCMP (pin 12) provides the functions. In the start-up mode, current charges capacitor C13 connected to SSTCMP. The voltage at the capacitor controls the gradual increase in power to the transformer and subsequently to the output load. This reduces in-rush current and provides reliable operation to the CCFL.

4. Ignition

When the VDDA voltage exceeds the under-voltage lockout threshold, the IC is enabled and an internal striking timer is activated.

The approximate striking frequency is calculated by the following equation.

$$f_{st} = \frac{3812 / R_{CT} [K\Omega] + 26}{4 * C_{CT} [\mu F]} \times 1000 \text{ [KHz]}$$

5. Aged CCFL Ignition

OZ9938 provides a striking timer function to ensure that any aged, slow-turn-on CCFL is provided with sufficient voltage and time to ignite. The transformer output voltage is sensed at VSEN

(Pin 6). When the voltage at VSEN reaches a threshold of approximately 3.0V, the IC regulates the output voltage at the transformer secondary. If the lamps are not ignited when the voltage at TIMER (pin 3) reaches a threshold of approximately 3V, the IC will shutdown and latch

The approximate striking time is calculated by the following equation.

$$T_{str} [\text{Sec}] = C_{TIMER} [\mu F]$$

To resume normal operation, toggle the ENA signal or reset VDDA.

6. Normal Operation

Once the lamps are ignited and the voltage at ISEN (pin 5) is >0.7V, the IC enters the normal operation mode and the PWM dimming control is activated.

The operating frequency is determined by resistor (R9) and capacitor (C9) connected to CT (pin 13). The control loop regulates the average current through the lamps by adjusting the duty cycle of the output drives. Constant frequency operation eliminates interference with the inverter and LCD panel that often occurs in a variable frequency inverter system. The peak and valley of the CT waveform are 2V and 0V respectively.

The approximate operating frequency is calculated by the following equation.

$$f_{op} = \frac{9.53 \times 10^5}{R_{CT} [K\Omega] * C_{CT} [\mu F]} \text{ [KHz]}$$

7. Open Lamp Protection

If a CCFL is removed or damaged during normal operation, the voltage at SSTCMP (pin 12) rises rapidly. When the voltage at SSTCMP reaches a threshold of approximately 2.5V, a current source charges the capacitor (C17) connected to TIMER (pin 3). Once the voltage level at the TIMER pin reaches a threshold of approximately 3V, the drive outputs shut down and latch.

The shutdown delay feature avoids inverter shutdown due to a VIN transient or if a lamp has a positive impedance characteristic.

The approximate shutdown delay time is calculated by the following equation.

$$T_d [\text{Sec}] = 0.33 X C_{TIMER} [\mu F]$$

To resume operation, toggle the ENA signal or restart VDDA.

External PWM dimming is implemented by setting LCT to a DC voltage between 0.5V to 1.0V using a resistor divider (R8 and R17) between VDDA and GND. Apply the external PWM pulse to DIM (pin 4).

8. Over-Voltage and Over-Current Protection

Over-voltage and over-current protection are monitored by the voltage on VSEN (pin 6). During normal operation, if a CCFL is damaged or removed, the voltage at VSEN (pin 6) increases. Once the voltage at VSEN exceeds the user-defined, preset voltage set by OVPT (pin 7), the driver output duty cycle is regulated and the shutdown delay timer is activated. OVPT sets the overall protection threshold voltage that is lower than ~3V (VSEN threshold). Once the voltage at TIMR pin reaches ~3V, the IC will shut down and latch. OVPT voltage setting is determined by a resistor divider (R13 and R16) connected to the OVPT.

The approximate shutdown delay time is calculated by the following equation.

$$T_d [\text{Sec}] = 0.33 X C_{\text{TIMER}} [\mu\text{F}]$$

To resume operation, toggle the PWM signal or restart VDDA.

9. Dimming Control

A built-in function enables the user to select one of the following dimming controls: analog, internal LPWM or external PWM signal.

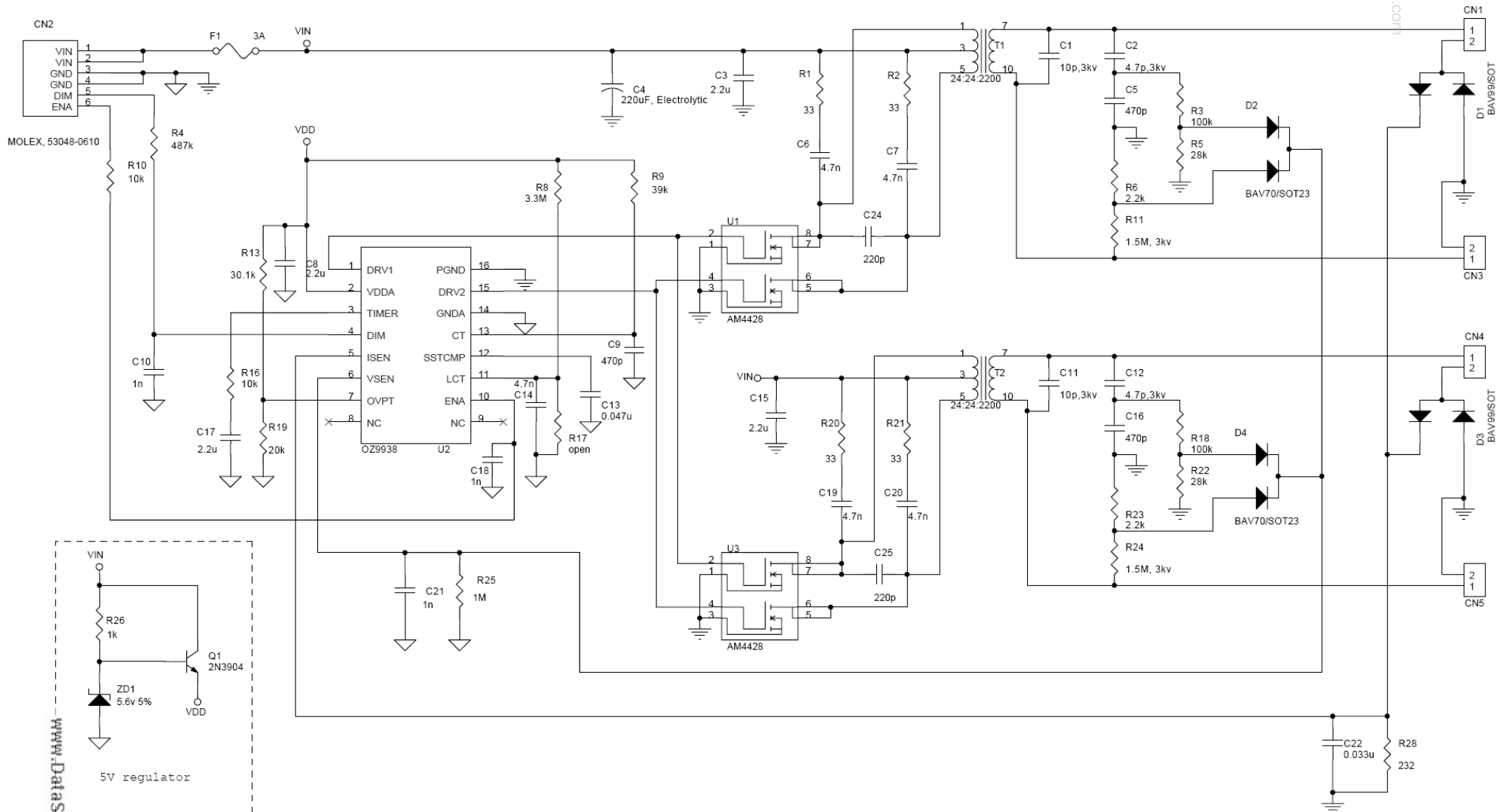
Analog dimming control is activated when the voltage to LCT (pin 11) is greater than 3V. A voltage of 0.5V to 1.25V applied to DIM (pin 4) controls the amplitude of the lamp current.

Internal LPWM dimming control is determined by resistor R8 and capacitor C14 connected to LCT. The low frequency sawtooth waveform is compared with the voltage at DIM to generate the LPWM signal. The peak and valley of the waveform are 1.5V and 0.1V respectively. The frequency is approximated by the following equation:

$$f_{\text{LOSC}} = \frac{3102}{R_{\text{LCT}} [\text{M}\Omega] * C_{\text{LCT}} [\text{nF}]} \quad [\text{Hz}]$$

With positive PWM dimming polarity, the LPWM duty cycle will be 100% when DIM pin voltage is higher than 1.5V. LCD panel will have maximum brightness. When DIM pin voltage is lower than 0.1V, the LPWM duty cycle will be 0%. LCD panel will be totally dark.

REFERENCE APPLICATION CIRCUIT



VIN: 10.8V---13.2V
 ENA: 0V---1.0V, disable. 2.0V---5.0V, Enable
 DIM: 0.2V---1.6V; 0.2V, minimum brightness; 1.6V, maximum brightness

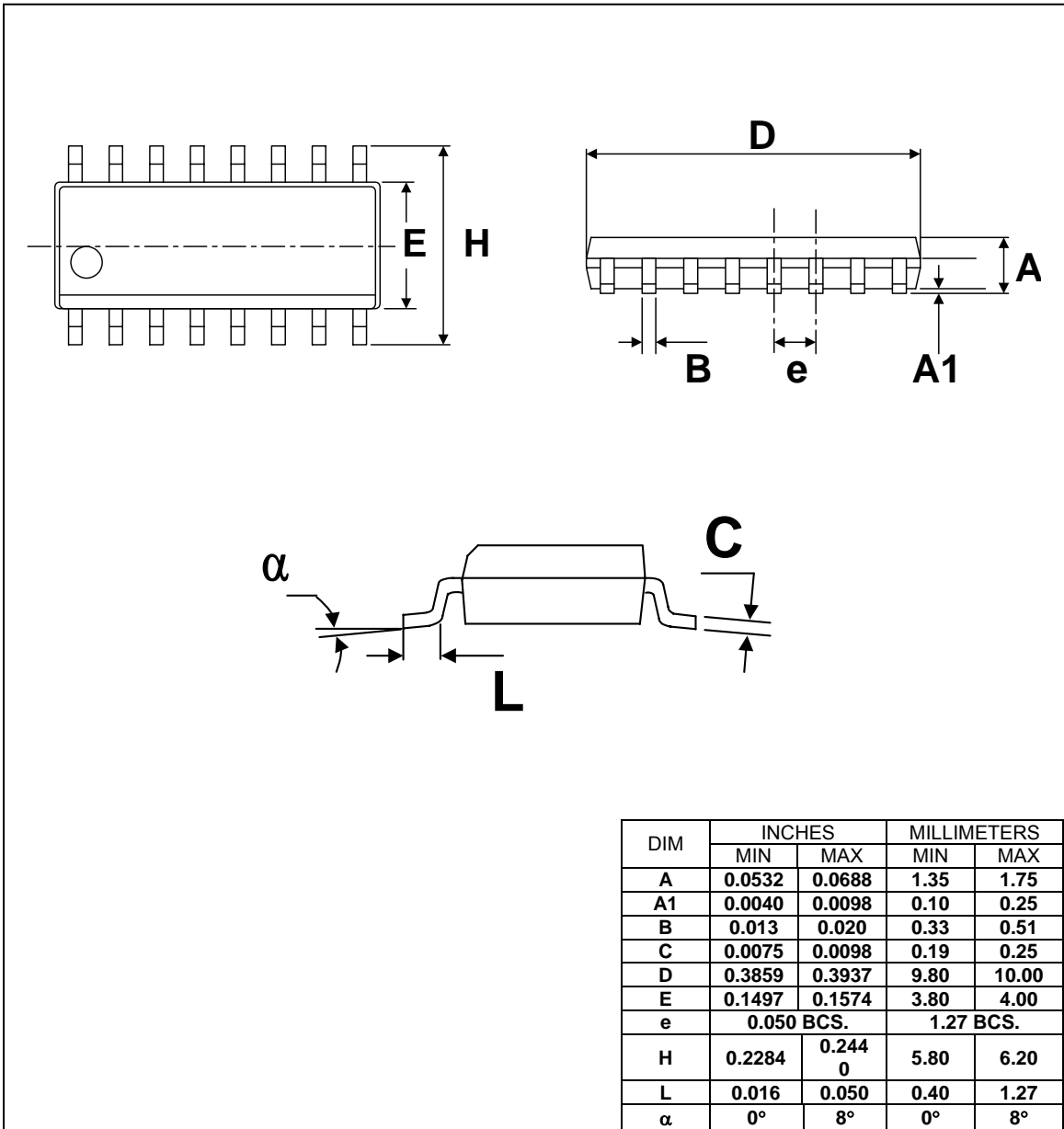
Figure 2

Recipient #106454 printed on 1/25/2006. This is a ONE-TIME copy. Updates will not be provided.

OZ9938

www.DataSheet4U.com

PACKAGE INFORMATION – 16-PIN SOP: OZ9938G (150mil)

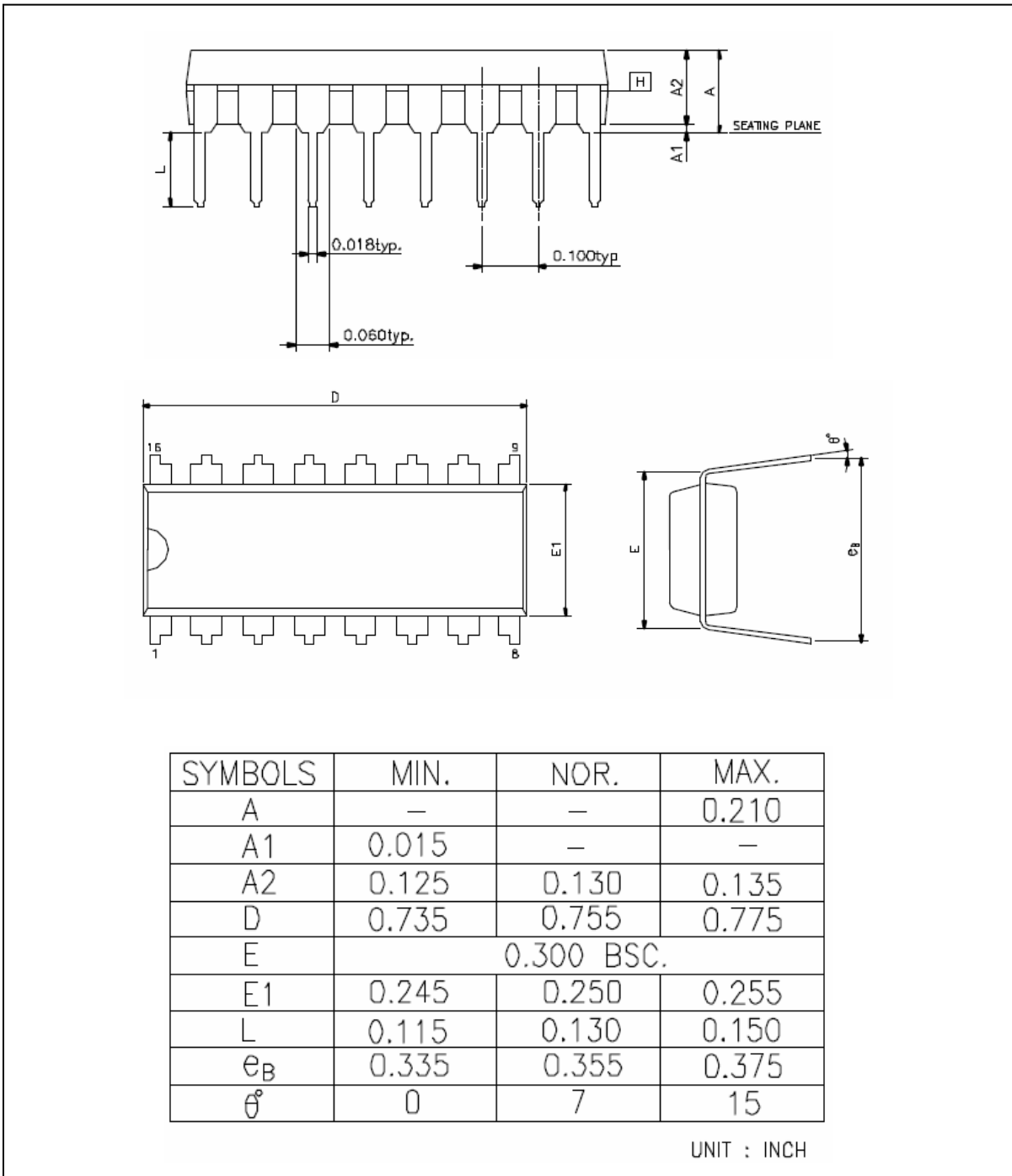


Recipient #106454 printed on 1/25/2006. This is a ONE-TIME copy. Updates will not be provided.

OZ9938

www.DataSheet4U.com

PACKAGE INFORMATION – 16-PIN DIP: OZ9938D (300mil)



IMPORTANT NOTICE

No portion of O₂Micro specifications/datasheets or any of its subparts may be reproduced in any form, or by any means, without prior written permission from O₂Micro.

O₂Micro and its subsidiaries reserve the right to make changes to their datasheets and/or products or to discontinue any product or service without notice, and advise customers to obtain the latest version of relevant information to verify, before placing orders, that information being relied on is current and complete. All products are sold subject to the terms and conditions of sale supplied at the time of order acknowledgment, including those pertaining to warranty, patent infringement, and limitation of liability.

O₂Micro warrants performance of its products to the specifications applicable at the time of sale in accordance with O₂Micro's standard warranty. Testing and other quality control techniques are utilized to the extent O₂Micro deems necessary to support this warranty. Specific testing of all parameters of each device is not necessarily performed, except those mandated by government requirements.

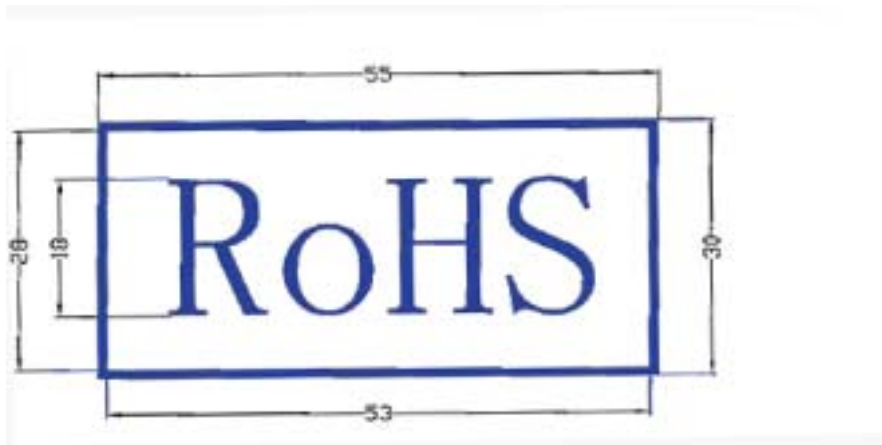
Customer acknowledges that O₂Micro products are not designed, manufactured or intended for incorporation into any systems or products intended for use in connection with life support or other hazardous activities or environments in which the failure of the O₂Micro products could lead to death, bodily injury, or property or environmental damage ("High Risk Activities"). O₂Micro hereby disclaims all warranties, and O₂Micro will have no liability to Customer or any third party, relating to the use of O₂Micro products in connection with any High Risk Activities.

Any support, assistance, recommendation or information (collectively, "Support") that O₂Micro may provide to you (including, without limitation, regarding the design, development or debugging of your circuit board or other application) is provided "AS IS." O₂Micro does not make, and hereby disclaims, any warranties regarding any such Support, including, without limitation, any warranties of merchantability or fitness for a particular purpose, and any warranty that such Support will be accurate or error free or that your circuit board or other application will be operational or functional. O₂Micro will have no liability to you under any legal theory in connection with your use of or reliance on such Support.

COPYRIGHT © 2005, O₂Micro International Limited

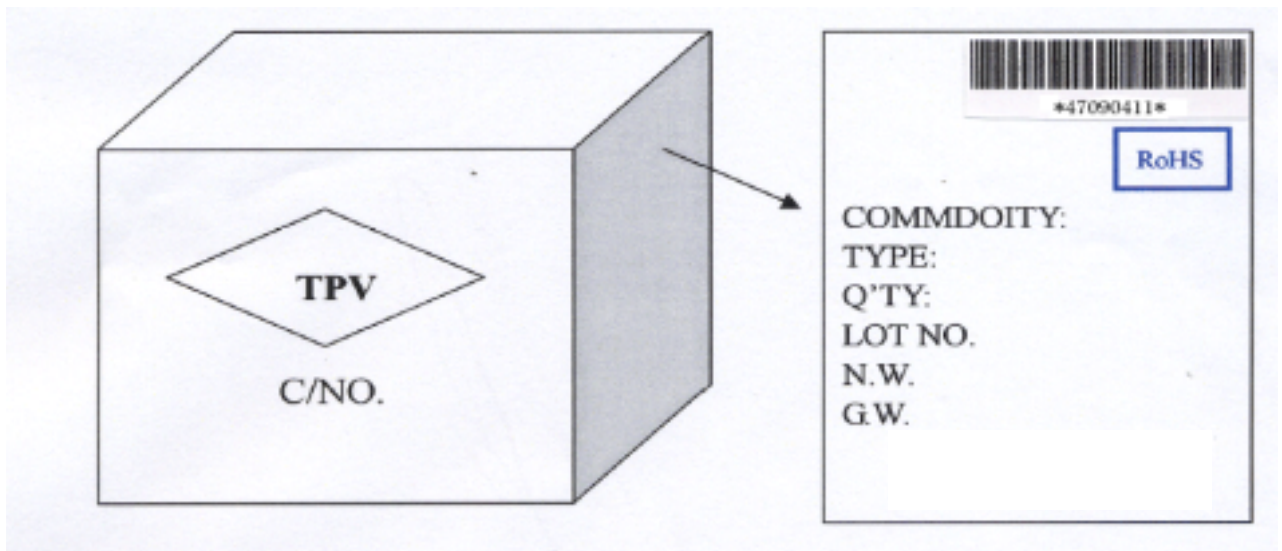
MICRO

Label Size



字體：藍色宋體 ” RoHS ” 需垂直居中，水平居中

#Carton



Carton size:Anomaly

#TPV RoHS product stick RoHS blue word seal on the upper-right corner of the side mark of carton

To: Top Victory Electronics (Fujian) Co.,Ltd
www.DataSheet4U.com

Date:

Company: O2Micro Electronics, Inc
Address: 3118, Patrick Henry Drive,
Santa Clara, CA 95054, USA
Product name: Inverter IC

Guarantee of compliance regarding six Hazardous Substances

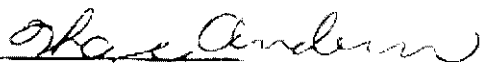
Top Victory Electronics (Fujian) Co.,Ltd

We (includes our subsidiary, affiliated company) here guarantee that all the components and parts shipped to you (includes directly shipping or via third parties) are in accordance with below limitation.

Hazardous substance	limitation
1. Cadmium and cadmium compounds	5ppm
2. Lead and lead compounds	100ppm
	(For solder bar:1000ppm)
3. Mercury and mercury compounds	1000ppm
4. Hexavalent chromium compounds	1000ppm
5. Polybrominated biphenyls (PBB)	1000ppm
6. Polubrominated diphenylethers (PBDE)	1000ppm
7. Cd+Pb+Hg+Cr ⁺⁶	100ppm
	(Only for packing material together with TPV production to market.)

Note:

1. Please refer to file named "specification and explanation relating with hazardous substance of TPV.PPT" for exemption items from the requirements of applications of lead, mercury, cadmium and hexavalent chromium.
2. In witness where of the above Guarantee has been duly exercised by the company's fully authorized representative signed below.

Signature: 
 Name: Wayne Anderson
 Position: Quality Director

*Need to affix the official seal, afford by the post or fax.

3

原材料及原材料厂家调查表

零件类别:

TPV P/N (零件料号)	ITEM (品名)	RAW MATERIAL (部件/原材料/辅助材料名称)	RAW MATERIAL SUPPLIER (供应商名称)	Address (大致地址)	锡含量 (ppm)	SGS或ITS 测试报告 号码	铅含量 (ppm)	SGS或ITS 测试报告 号码	六价铬 (ppm)	SGS或ITS 测试报告 号码	汞含量 (ppm)	SGS或ITS 测试报告 号码	PBB/PBDE 含量 (ppm)	SGS或 ITS 测试 号码
		IC	OZ960GN	CA, USA		CE/2004/ 051663		CE/2004/ 51663		CE/2004/ 051663		CE/2004/ 051663		CE/2004/ 051663

☆ 备注:

- ☆ 请填写该类零部件用到的所有部件、原材料、辅助材料的详细信息;
- ☆ 必须详细、正确的填写部件, 原材料, 辅助材料的供应商名称、材料型号;
- ☆ 请填写6种环境管理物质含量和对应的SGS或ITS的检测报告号码;
- ☆ 如果有些部分未有ICP检测报告, 需请提报检测计划;
- ☆ 有ICP检测报告, 但是不符合限定值要求的部分, 需请提报改善计划。

主管/职位: Wayne Anderson/ Quality Director
 公司全称: O2Micro International Ltd.
 公司公章: O2Micro International Ltd.

www.DataSheet4U.com

Post-it® Fax Note	7671	Date	5/9/05	# of pages	1
To	Ms. 鄭伊珊	From	Sophia		
Co./Dept.		Co.	O2Micro		
Phone #		Phone #	254.59095 x820		
Fax #	8226 2886	Fax #			

www.DataSheet4U.com

000000000000

ATTN: Sophia C.C. Akila Tsai

From: HS-Shawn

RoHS 零件 可焊性 / 耐焊接熱 標準

www.DataSheet4U.com

一 DIP 零件 , Wave Solder 要求

可焊性規格 : 條件: 溫度 255 -5/+0 °C 時間 2.5±0.5 sec

判定: 引腳沾錫面積 90% 以上

詳細參數見附件 [RoHS 零件可焊性標準]

耐焊接熱規格 : 條件: 溫度 270 -0/+2 °C 時間 10±0.5 sec [端子]

條件: 溫度 270 -0/+2 °C 時間 20±0.5 sec [本體]

判定: 機械特性 電器特性符合規格定義要求

詳細參數見附件 [RoHS 零件耐焊接熱標準]

二 SMD 零件 , Solder Reflow 要求

可焊性規格 : 條件: 溫度 255 -5/+0 °C 時間 2.5±0.5 sec

判定: 引腳沾錫面積 90% 以上

詳細參數見附件 [RoHS 零件可焊性標準]

耐焊接熱規格 : 條件: 溫度 265 -0/+5 °C 時間 10 -0/+5 sec

判定: 機械特性 電器特性符合規格定義要求

詳細參數見附件 [RoHS 零件耐焊接熱標準]

← 此部分 >250°C only.

參考附件

一 RoHS 零件可焊性標準

二 RoHS 零件耐焊接熱標準

此份規格 納入各 RoHS 零件承認書內

供應商名稱 O2Micro Electronics Inc.

負責人 QA Director / Wayne Anderson.

蓋章 Wayne Anderson

2002