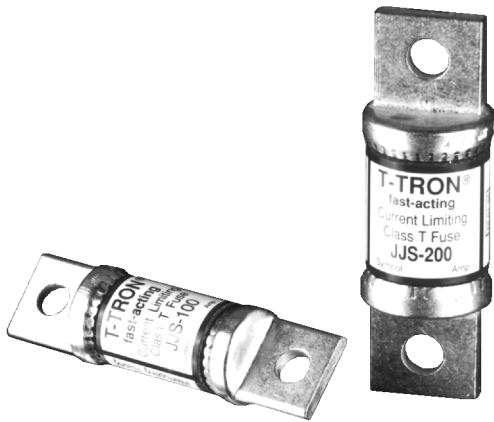


T-Tron® Very Fast-Acting Fuses

Class T — 600 Volt, 1 to 800 Amps

JJS



Catalog Symbol: JJS
 Current-Limiting
 Very Fast-Acting
 Ampere Rating: 1 to 800 Amperes
 Voltage Rating: 600 Volts AC (or less)*
 Interrupting Rating: 200,000A RMS Sym.
 Agency Approval:
 U.L. Listed, Std. 248-15, Class T, Guide JDDZ, File E4273
 CSA Certified, C22.2 No. 248.15, Class 1422-02, File 53787

Catalog Numbers

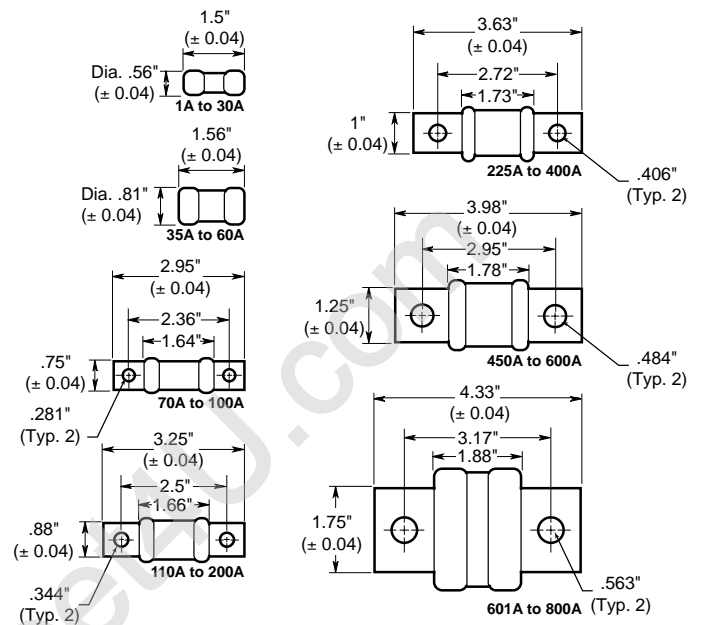
JJS-1	JJS-45	JJS-200
JJS-2	JJS-50	JJS-225
JJS-3	JJS-60	JJS-250
JJS-6	JJS-70	JJS-300
JJS-10	JJS-80	JJS-350
JJS-15	JJS-90	JJS-400
JJS-20	JJS-100	JJS-450
JJS-25	JJS-110	JJS-500
JJS-30	JJS-125	JJS-600
JJS-35	JJS-150	JJS-800
JJS-40	JJS-175	—

Carton Quantity and Weight

Catalog Number	Carton Qty.	Weight**	
		Lbs.	Kg.
1-30	10	0.33	0.149
35-60	10	0.82	0.371
70-100	5	0.51	0.231
110-200	1	0.192	0.087
225-400	1	0.46	0.208
450-600	1	0.85	0.385
800	1	1.65	0.748

*15-400A rated 300 Vdc and 10 KAIC.
 **Weight per carton.

Dimensional Data



- Small, space-saving fuses provide a high degree of current-limitation on short-circuits for excellent component protection.
- Commonly applied in electric heat circuits, load center, disconnect switches, and meters.
- The small size of the T-Tron fuses permits installation in panelboards and control centers for system upgrading when existing circuit breakers cannot safely interrupt larger available short-circuit currents.
- High speed of response for semiconductor protection.

Standard T Fuseblocks (600V) Catalog Data

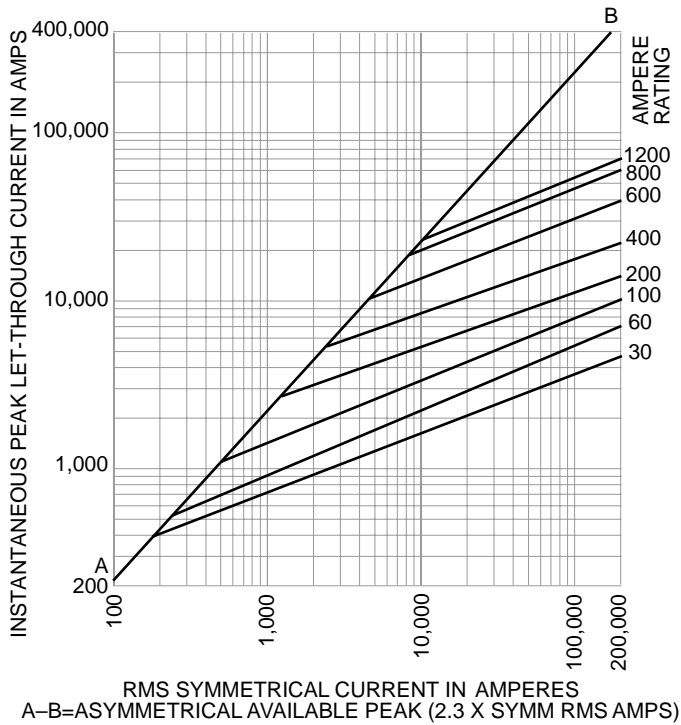
Amps	Poles	Catalog Numbers	
		Screw	Box Lug
1	1	T60030-1SR	T60030-1CR
to	2	T60030-2SR	T60030-2CR
30	3	T60030-3SR	T60030-3CR
31	1	T60060-1SR	T60060-1CR
to	2	T60060-2SR	T60060-2CR
60	3	T60060-3SR	T60060-3CR
61	1	—	T60100-1CR
to	2	—	T60100-2CR
100	3	—	T60100-3CR
101-200	1	—	T60200-1C
	3	—	T60089
201-400	1	—	T60400-1C
401-600	1	—	T60600-1C

CE CE logo denotes compliance with European Union Low Voltage Directive (50-1000 Vac, 75-1500 Vdc). Refer to BIF document #8002 or contact Bussmann Application Engineering at 314-527-1270 for more information.

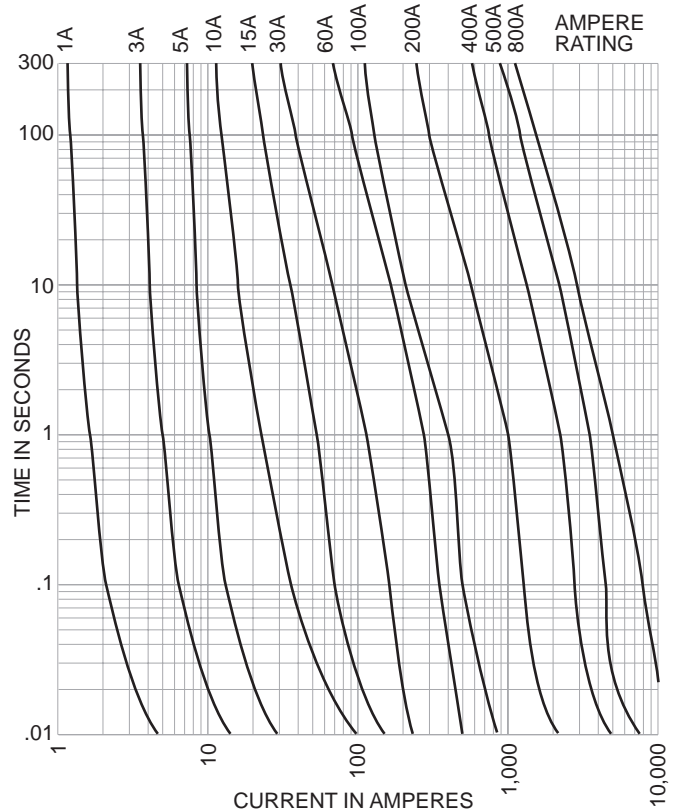
T-Tron® Very Fast-Acting Fuses

Class T — 600 Volt, 1 to 800 Amps

Current-Limitation Curves



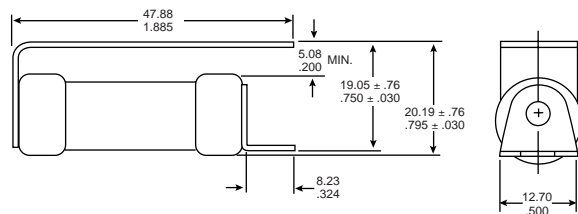
Time-Current Characteristic Curves—Average Melt



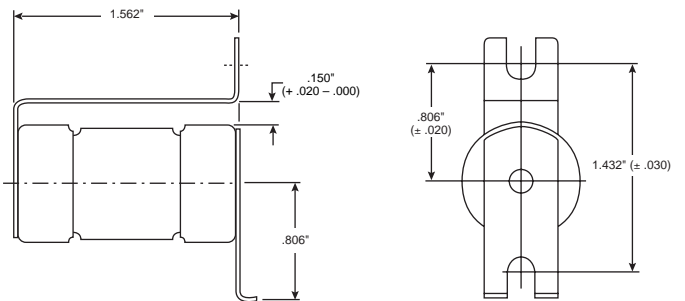
Custom Designs

- Printed circuit board variations available.

JJS-30V



JJS-60V



The only controlled copy of this BIF document is the electronic read-only version located on the Bussmann Network Drive. All other copies of this document are by definition uncontrolled. This bulletin is intended to clearly present comprehensive product data and provide technical information that will help the end user with design applications. Bussmann reserves the right, without notice, to change design or construction of any products and to discontinue or limit distribution of any products. Bussmann also reserves the right to change or update, without notice, any technical information contained in this bulletin. Once a product has been selected, it should be tested by the user in all possible applications.