

GB840

SCHOTTKY BARRIER DIODE VOLTAGE 40V, CURRENT 8A RECTIFIER

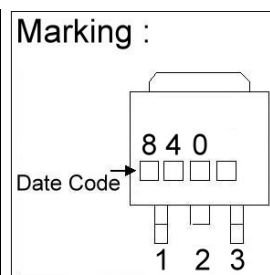
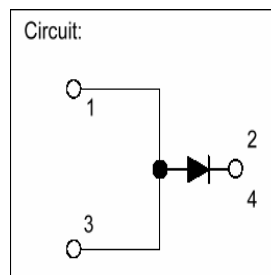
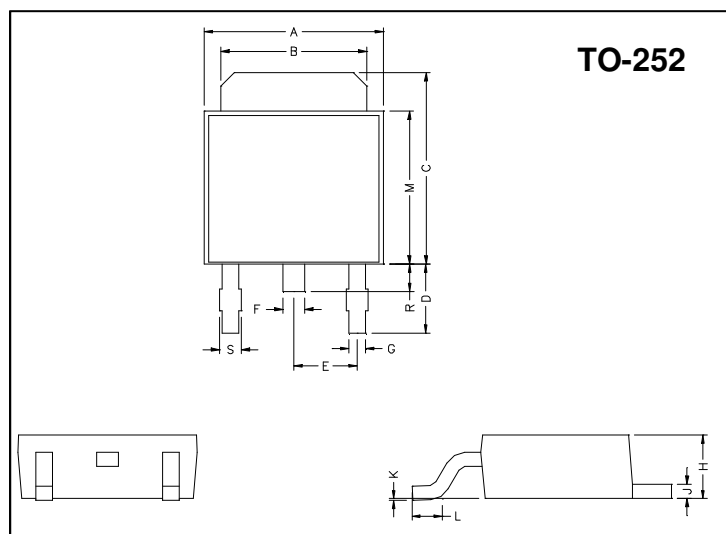
Description

The GB840 is designed for switching power supplies, converters, free wheeling and reverse battery protection applications.

Features

- *Low forward voltage drop
- *High frequency operation

Package Dimensions



REF.	Millimeter		REF.	Millimeter	
	Min.	Max.		Min.	Max.
A	6.40	6.80	G	0.50	0.70
B	5.20	5.50	H	2.20	2.40
C	6.80	7.20	J	0.45	0.55
D	2.20	2.80	K	0	0.15
E	2.30 REF.		L	0.90	1.50
F	0.70	0.90	M	5.40	5.80
S	0.60	0.90	R	0.80	1.20

Absolute Maximum Ratings at Ta=25°C

Parameters	Symbol	Ratings	Unit	Condition
DC Reverse Voltage	$V_{R(RMS)}$	40	V	
Working Peak Reverse Voltage	V_{RWM}	40	V	
Average Forward Current	I_F	8	A	50% duty cycle @ $T_C=119^\circ\text{C}$, rectangular waveform
Surge Forward Current	I_{FSM}	380	A	10ms Sine or 6ms Rect. pulse
Junction Temperature	T_j	-55 ~ +150	°C	
Storage Temperature	T_{stg}	-55 ~ +175	°C	
Thermal Resistance, Junction to case	$R_{\theta JC}$	5	°C/W	

Electrical Characteristics

Parameters	Symbol	Ratings			Unit	Condition
		min	typ	max		
Reverse Voltage	V_R	40	-	-	V	$I_R=3\text{mA}$, $T_j=25^\circ\text{C}$
Forward Voltage*	V_F	-	-	0.53	V	$I_F=8\text{A}$, $T_j=25^\circ\text{C}$
Reverse Current*	I_R	-	-	2.0	mA	$V_R=40\text{V}$, $T_j=25^\circ\text{C}$
Junction Capacitance	C_T	-	-	900	pF	$V_R=5\text{V}$, $T_j=25^\circ\text{C}$ (test signal range 100KHz~1MHz)
Series Inductance	L_S	-	10.0	-	nH	Measure lead to lead 5mm from body

Note *: Pulse Width <300μs, Duty Cycle <2%.

Characteristics Curve

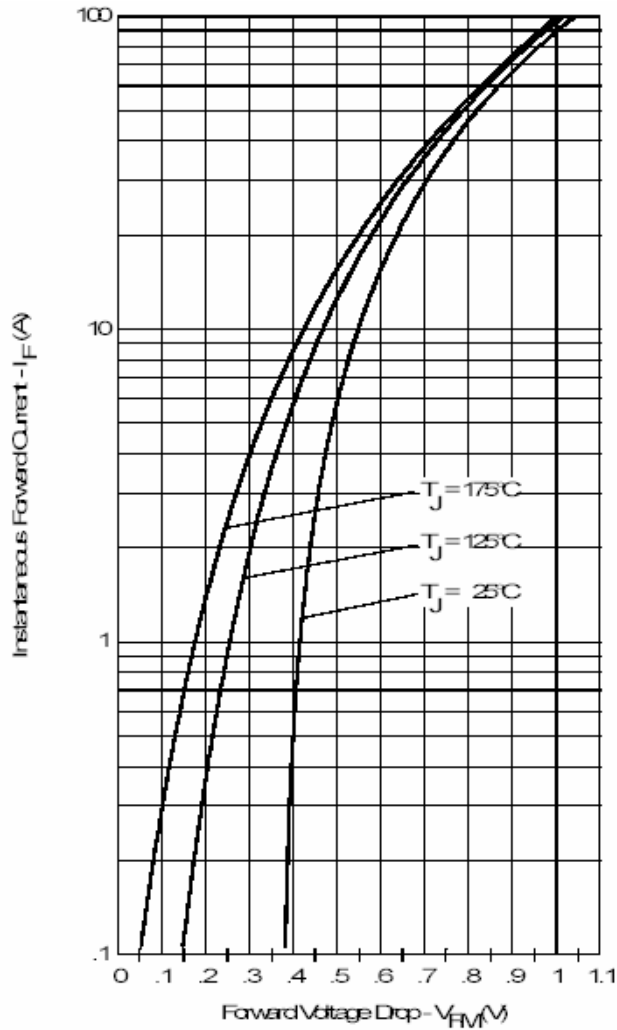


Fig. 1 - Max. Forward Voltage Drop Characteristics

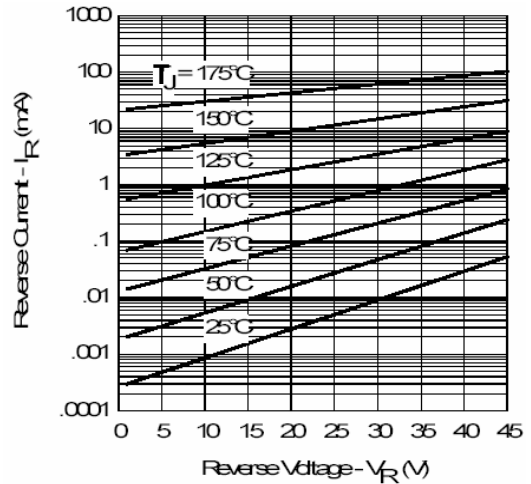


Fig. 2 - Typical Values of Reverse Current Vs. Reverse Voltage

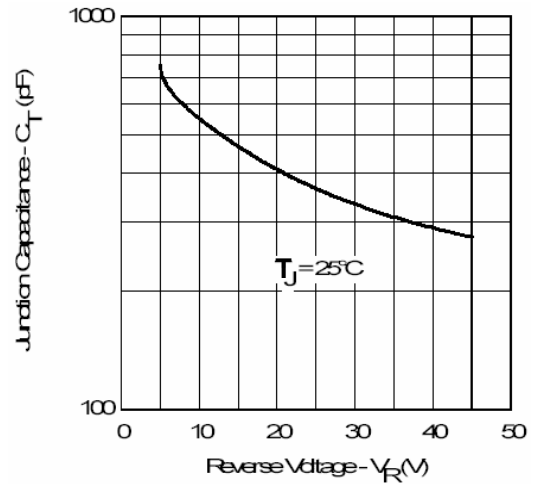


Fig. 3 - Typical Junction Capacitance Vs. Reverse Voltage

Important Notice:

- All rights are reserved. Reproduction in whole or in part is prohibited without the prior written approval of GTM.
- GTM reserves the right to make changes to its products without notice.
- GTM semiconductor products are not warranted to be suitable for use in life-support Applications, or systems.
- GTM assumes no liability for any consequence of customer product design, infringement of patents, or application assistance.

Head Office And Factory:

- **Taiwan:** No. 17-1 Tatung Rd. Fu Kou Hsin-Chu Industrial Park, Hsin-Chu, Taiwan, R. O. C.
- TEL : 886-3-597-7061 FAX : 886-3-597-9220, 597-0785
- **China:** (201203) No.255, Jang-Jiang Tsai-Lueng RD. , Pu-Dung-Hsin District, Shang-Hai City, China
- TEL : 86-21-5895-7671 ~ 4 FAX : 86-21-38950165