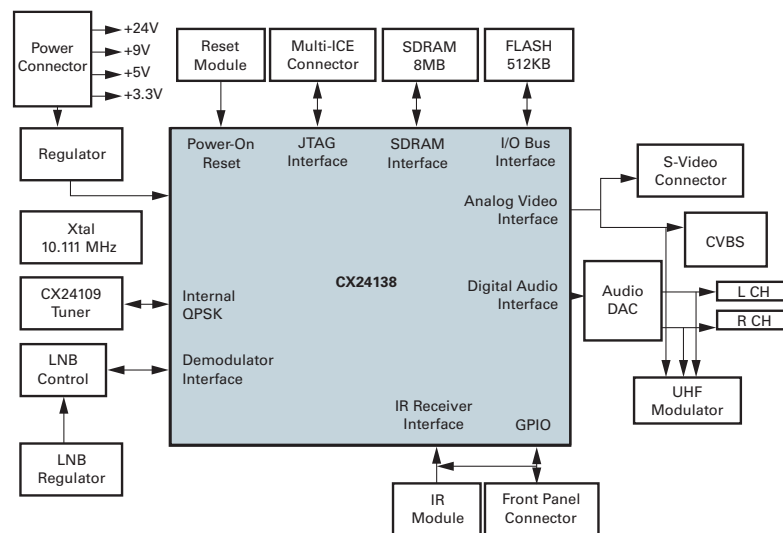




Features and Benefits

- High-performance SoC with integrated QPSK demodulator
- Direct down-conversion technology and integrated-noise amplifier/local oscillator (LNA/LO)
- Very low power consumption
- Complete system clock from a single crystal – no external circuit or VCXO module required
- Direct connect to infrared (IR) module
- System control of front panel by software
- CX24138 drives standard 75 W load directly
- Supports software download via over-the-air (OTA) broadcast or RS-232 port
- Multi In-Circuit Emulation (ICE) debug environment



CX24138 Block Diagram

User Interface

- Satellite antennae input port
- RCA for composite video baseband signal (CVBS) video and audio line receiver (L/R)
- S-Video port
- Dolby® Digital passthrough on S/PDIF
- RS-232 serial port
- Audio/video (A/V) connector for RF modulator
- Power adapter connector
- Front panel connector with IR signal receiver
- I2C-compatible expansion connector
- JTAG debug connector

Characteristics

Main processor	CX24138 with 100 MHz ARM920T core
Main memory	8 MB SDRAM
Program memory	512 KB Flash
Video decode	MPEG-2 MP@ML, MPEG-1 Layer 1 and 2
Tuner	CX24109, zero-IF architecture
Video format	PAL/NTSC/SECAM
TS Demux data rate	72.5 Mbps maximum
Audio decode	MPEG-2 MUSICAM
Audio mode	Mono, double channel, stereo
Audio sample rate	Supports 16, 22.05, 24, 32, 44.1, 48 kHz
Graphic accelerate	Two-dimensional (2D) hardware graphic accelerator, optimized memory bandwidth
On-Screen Display (OSD)	8 bpp color mode, flicker filtering and hardware cursor

© 2004, Conexant Systems, Inc. All Rights Reserved. Conexant and the Conexant logo are registered trademarks of Conexant Systems, Inc. All other trademarks are owned by their respective owners. Although Conexant strives for accuracy in all its publications, this material may contain errors or omissions and is subject to change without notice. **THIS MATERIAL IS PROVIDED AS IS AND WITHOUT ANY EXPRESS OR IMPLIED WARRANTIES, INCLUDING MERCHANTABILITY, FITNESS FOR A PARTICULAR PURPOSE AND NON-INFRINGEMENT.** Conexant shall not be liable for any special, indirect, incidental or consequential damages as a result of its use.

www.conexant.com
 General Information:
 U.S. and Canada: (888) 855-4562
 International: (732) 345-7500
 Headquarters
 100 Schulz Drive
 Red Bank, NJ 07701
 Order# 102518A

