

# 1 Watt 1100 Series DC-DC Regulated Converters



## Specifications

### Input:

Voltage (see chart for selection).  
Reverse polarity protected to 100VDC  
(except on 5V and 6V input models).

### Output:

Voltage and Current: (see chart for selection).

Voltage Set Point: Factory set within 0.5% of selected output.

### Regulation:

Line (Low to High): 0.1% max.  
Load (NL-FL): 0.2% max.  
Temperature: 0.007%/°C typ.  
0.015%/°C max.

### Ripple:

V (Peak to Peak) less than 1.0% of rated output voltage.

Frequency 40KHz  $\pm$ 20%

### Polarity:

All outputs may be used as either positive or negative supplies.

### Protection:

Overload and short circuit by current limiting

### Isolation:

Input to output 300VDC  
Output to output 100VDC

### Efficiency:

40% typ. at full load under nominal conditions

### Environmental

Operating temp.: -20°C to +85°C baseplate.

Storage temp.: -55°C to +105°C

Case rise: 20°C at full load in free air

### Mechanical:

Terminals: P.C. type  
Case: glass-filled diallyl phthalate with aluminum heat plate  
Encapsulation: Epoxy  
Weight: 2 oz. typ.

### EMI:

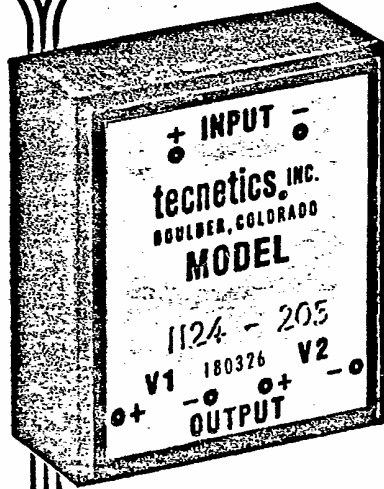
Input filter reduces reflected powerline ripple.

### MTBF:

Value dependent upon environment and component certification.

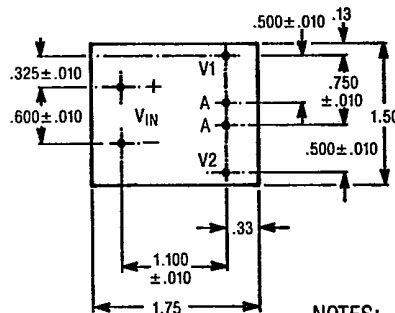
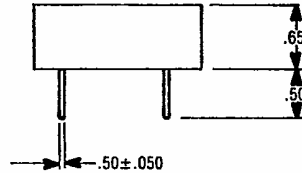
### Part Number:

11 XX - X XX  
Series Vout No Out Vin



## Features

- Excellent line, load and temperature regulation
- Output protected by current limiting
- Input filters reduce conducted EMI
- Dual output voltages available
- High performance in an economical, small package



### NOTES:

1. UNLESS OTHERWISE SPECIFIED ALL DIMENSIONS ARE  $\pm$ 0.020.
2. PINS "A" ARE NOT USED ON SINGLE OUTPUT MODELS.

Model	Output Volts (VDC) Nom.		Output Current (mA) Nom.		Input Voltage (VDC)					
					5 $\pm$ .5	6 $\pm$ 1	12 $\pm$ 2	24 $\pm$ 4	28 $\pm$ 4	48 $\pm$ 6
1103	3.6		278		-105	-106	-112	-124	-128	-148
1105	5		200							
1106	6		167							
1107	7		143							
1108	8		125							
1109	9		112							
1110	10		100							
1112	12		84							
1115	15		67							
1118	18		56							
1120	20		50							
1124	24		42		-105	-106	-112	-124	-128	-148
	V1	V2	I1	I2						
1110	10	10	50	50	-205	-206	-212	-224	-228	-248
1112	12	12	42	42						
1115	15	15	34	34						
1118	18	18	28	28						
1120	20	20	25	25						
1124	24	24	21	21	-205	-206	-212	-224	-228	-248



6287 Arapahoe Ave. / P.O. Box 910 / Boulder, Colorado 80306

TEL: 303 440 0010 / FAX: 303 440 0017