

8.00mm (0.315") PITCH CONNECTOR

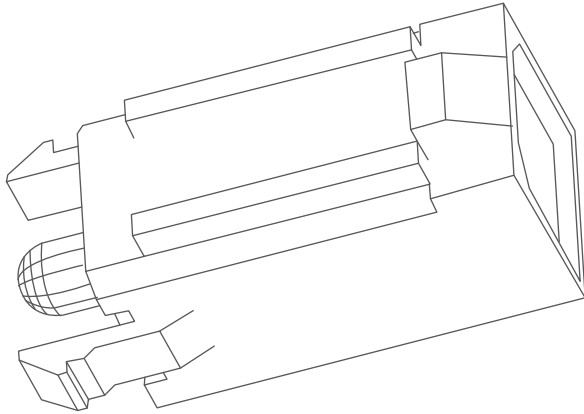


Wire-to-Board
Wafer

YDW236 Series

DIP

Straight

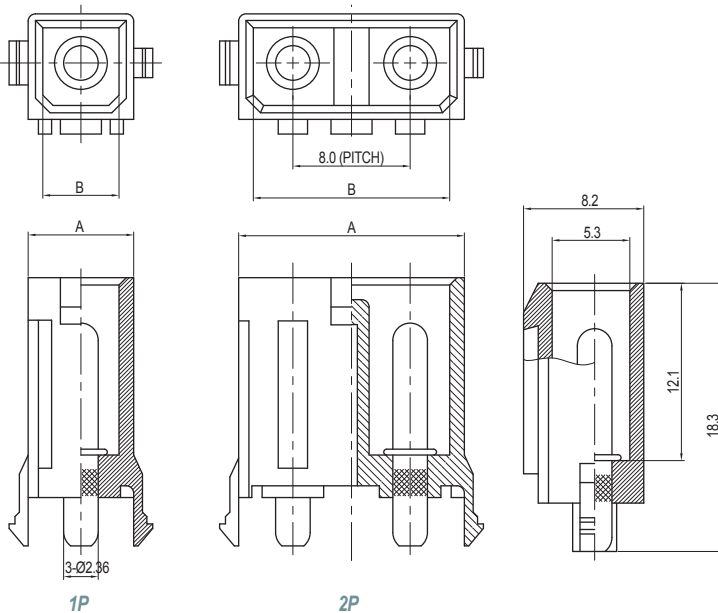


Material

I/NO	DESCRIPTION	TITLE	MATERIAL
1	WAFER	YDW236	PA66, UL94 V Grade
2	PIN		Brass & Tin-Plated

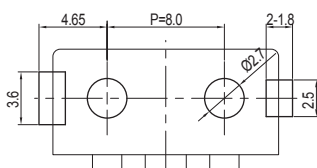
Available Pin

PARTS NO.	DIM. A	DIM. B
YDW236-01P	7.2	5.0
YDW236-02P	15.2	13.0
YDW236-03P	23.2	21.0
YDW236-04P	31.2	29.0

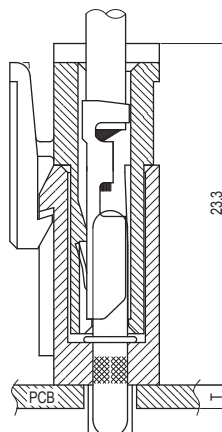


Specification

ITEM	SPEC
Voltage Rating	AC/DC 250V
Current Rating	AC/DC 7A
Operating Temperature	-25°C~+85°C
Contact Resistance	30mΩ MAX
Withstanding Voltage	AC1500V/1min
Insulation Resistance	1000MΩ MIN
Applicable Wire	-
Applicable P.C.B	1.2~1.6mm
Applicable FPC/FFC	-
Solder Height	-
Crimp Tensile Strength	-
UL FILE NO	E108706



PCB LAYOUT



PCB ASS'Y