

**PLEASE CHECK WWW.MOLEX.COM FOR LATEST PART INFORMATION**

**Part Number:** [0505447626](#)  
**Status:** **Active**  
**Description:** Ring Tongue Terminal for 250-300MCM AWG, Closed Uninsulated Brazed Barrel, Stud Size 7/8" (M20), Oxygen-Free Copper, Length 81.00mm (3.189")

**Documents:**

[Drawing \(PDF\)](#) [RoHS Certificate of Compliance \(PDF\)](#)  
[Product Specification PS-50541-002 \(PDF\)](#)

**General**

Product Family	Ring and Spade Terminals
Series	<a href="#">50544</a>
Crimp Quality Equipment	Yes
Mil-Spec	N/A
Product Name	R (Ring)
Type	Ring

**Physical**

Barrel Type	Closed - Brazed
Insulation	None
Material - Plating Mating	Tin
Packaging Type	Bag
Stud Size	7/8" (M20)
Wire Size AWG	250MCM, 300MCM
Wire Size mm <sup>2</sup>	117.2 - 152.05

**Material Info**

**Reference - Drawing Numbers**

Product Specification	PS-50541-002
Sales Drawing	SD-50544-001



*image - Reference only* Series

**EU RoHS**

**ELV and RoHS Compliant**  
**REACH SVHC**  
 Not Reviewed  
**Halogen-Free Status**  
 Not Reviewed

**China RoHS**



**Need more information on product environmental compliance?**

Email [productcompliance@molex.com](mailto:productcompliance@molex.com)  
 For a multiple part number RoHS Certificate of Compliance, [click here](#)

Please visit the [Contact Us](#) section for any non-product compliance questions.

**Search Parts in this Series**

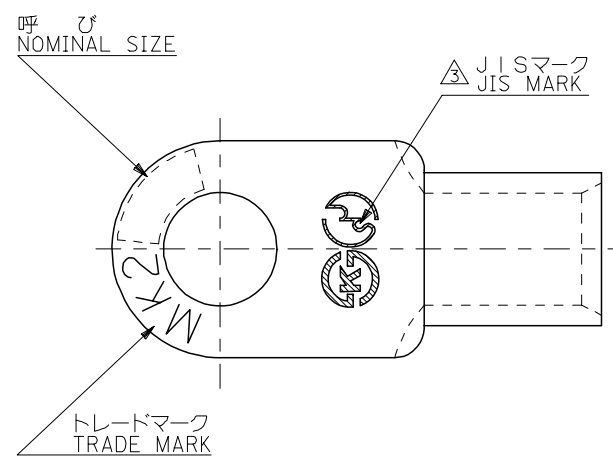
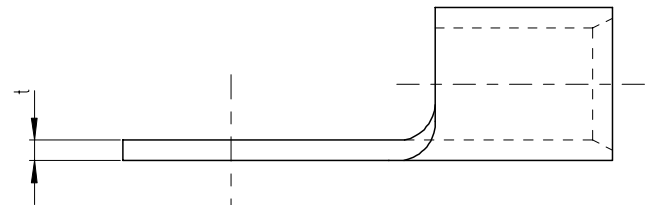
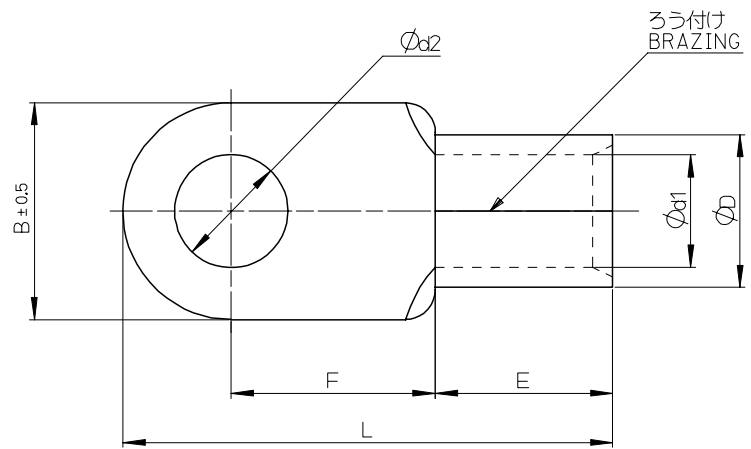
[50544Series](#)

**Application Tooling | [FAQ](#)**

*Tooling specifications and manuals are found by selecting the products below. Crimp Height Specifications are then contained in the Application Tooling Specification document.*

**Japan**

Description	Product #
Tool Kit For 57343-9012	<a href="#">0573439001</a>
Battery Type Hand Crimper For JIS Terminal	<a href="#">0573439004</a>



注記 NOTES

- 1 材質 MATERIAL  
端子：無酸素銅、錫めっき  
TERMINAL: OXYGEN-FREE COPPER, TIN PLATING  
ろう付け部：銀ろう  
PART OF BRAZING : SILVER SOLDER
- 2 適用電線 APPLICABLE WIRE RANGE

単線 SOLID WIRE	撚線 STRANDED WIRE
11.68-13.8 mm	117.2-152.05 mm <sup>2</sup>

△ JIS認定品にのみ刻印。  
DIE STAMPED MARK IS ALLOWED ONLY  
FOR JIS FILED PRODUCTS.

	3.25 <sup>+0.22</sup> <sub>-0.1</sub>	28 <sup>+0.5</sup> <sub>-0.1</sub>	81 ±1	36 ±1.1	27 ±0.8	19.5 <sup>+0.6</sup> <sub>-0.5</sub>	26.5 <sup>+0.8</sup> <sub>-0.6</sub>	36	150	27	50544-7926
		25 <sup>+0.5</sup> <sub>-0.1</sub>								24	50544-7826
		23 <sup>+0.5</sup> <sub>-0.1</sub>								22	50544-7726
JIS	3.2 MN	21 <sup>+0.5</sup> <sub>0</sub>	84 MAX	26 MN	26 MN	19.5 ±0.5	26.5 <sup>+0.8</sup> <sub>-0.5</sub>			20	50544-7626
		19 <sup>+0.5</sup> <sub>0</sub>		23.5 MN						18	50544-7526
		17 <sup>+0.5</sup> <sub>-0.1</sub>								L16	50544-7426
		13 <sup>+0.5</sup> <sub>-0.1</sub>	81 ±1	36 ±1.1	27 ±0.8	19.5 <sup>+0.6</sup> <sub>-0.5</sub>	26.5 <sup>+0.8</sup> <sub>-0.6</sub>			L12	50544-7326
		10.5 <sup>+0.5</sup> <sub>-0.1</sub>								L10	50544-7226
		8.4 <sup>+0.5</sup> <sub>-0.1</sub>								L8	50544-7126
JIS	3.2 MN	17 <sup>+0.5</sup> <sub>0</sub>	84 MAX	21.5 MN	26 MN	19.5 ±0.5	26.5 <sup>+0.8</sup> <sub>-0.5</sub>			16	50544-7026
		15 <sup>+0.5</sup> <sub>0</sub>		20 MN						14	50544-7925
		13 <sup>+0.5</sup> <sub>0</sub>	68 MAX	18.5 MN						12	50544-7825
		10.5 <sup>+0.5</sup> <sub>0</sub>		15.5 MN						10	50544-7725
		17 <sup>+0.5</sup> <sub>-0.1</sub>								S16	50544-7625
		15 <sup>+0.5</sup> <sub>-0.1</sub>								S14	50544-7525
		13 <sup>+0.5</sup> <sub>-0.1</sub>								S12	50544-7425
		11.5 <sup>+0.5</sup> <sub>-0.1</sub>	66 ±1	23 ±1.1	27 ±0.8	19.5 <sup>+0.6</sup> <sub>-0.5</sub>	26.5 <sup>+0.8</sup> <sub>-0.6</sub>	11	50544-7325		
		10.5 <sup>+0.5</sup> <sub>-0.1</sub>						S10	50544-7225		
		8.4 <sup>+0.5</sup> <sub>-0.1</sub>						8	50544-7125		
		6.4 <sup>+0.5</sup> <sub>-0.1</sub>						6	50544-7025		
△	t	Ød2	L	F	E	Ød1	ØD	B	呼び NOMINAL SIZE	ENG. NO.	

RELEASED EC NO: J2007-0312 DRW:HYAJIMA 2007/05/17 CHK:DKKASAHARA 2007/05/18 APPR:NUKITA 2007/05/18	GENERAL TOLERANCES (UNLESS SPECIFIED)		DIMENSION STYLE MM ONLY		SCALE ---	DESIGN UNITS METRIC	THIRD ANGLE PROJECTION	
	10 UNDER	± ---	DRAWN BY H. YAJIMA	DATE '06/08/22	TITLE RING TERMINAL			
	10 OVER 30 UNDER	± ---	CHECKED BY K. KASAHARA	DATE '06/08/22	MATERIAL NO. SEE CHART			
	30 OVER	± ---	APPROVED BY N. UKITA	DATE '06/08/22	DOCUMENT NO. SD-50544-001			
	ANGULAR	± --- °	DRAFT WHERE APPLICABLE MUST REMAIN WITHIN DIMENSIONS		SIZE A3		SHEET NO. 1 OF 1	