

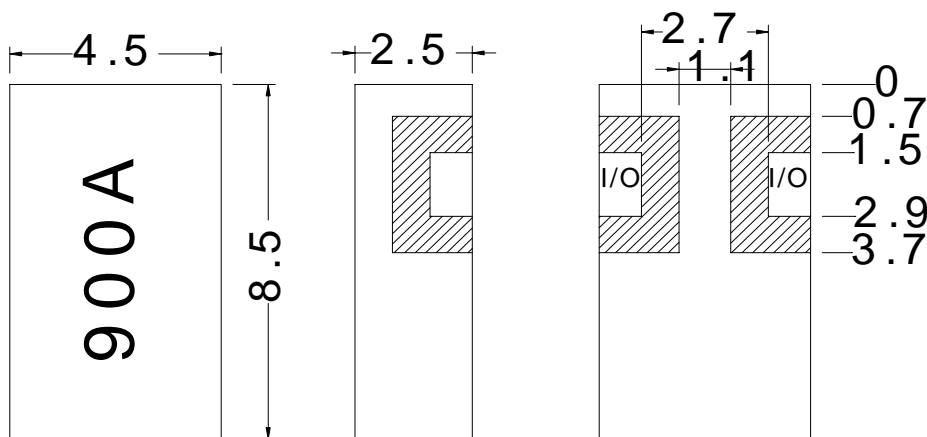
ELECTRICAL SPECIFICATIONS

ITEM	SPEC	Unit
1	Center Frequency [fo]	900.0
2	Bandwidth [BW]	$f_o \pm 15.0$ [885 ~ 915]
3	Insertion Loss in BW	2.5 max.
4	Ripple in BW	0.5 max.
5	V S W R	2.0 : 1
6	In/Out Impedance	50 Ω
7	Attenuation [Absolute Value]	40.0 dB min. @ 800.0 [fo-100] MHz
8	Operation Temperature Range	-40°C to +85°C

DIMENSIONS

TOP VIEW

BOTTOM VIEW



 ground

unit: mm

tolerance: ± 0.20



SIPAT Co., Ltd.
(CETC No. 26 Research Institute)
Nanping Huayuan Road No. 14
Chongqing, China, 400060

Part Number CMF2A900S30CCA

Rev. Date 2005-11-23

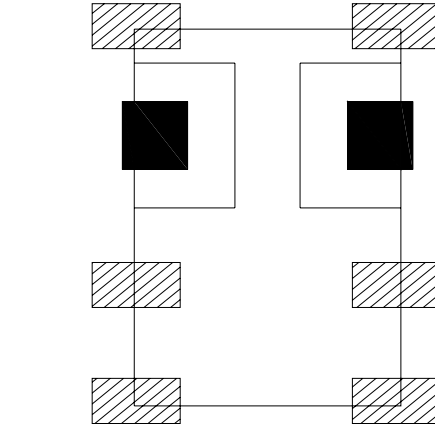
Rev. 1.0

Page 1/4

SIPAT Co., Ltd.
www.sipatsaw.com

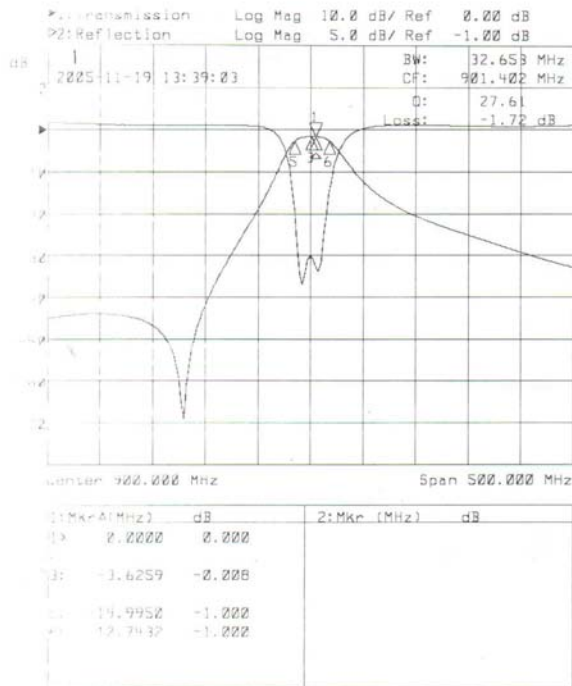
Part Number: CMF2A900S30CCA

RECOMMENDED PC BOARD PATTERN



 I/O PORT SOLDERING POINT
 GROUND SOLDERING POINT

CHARACTERISTICS

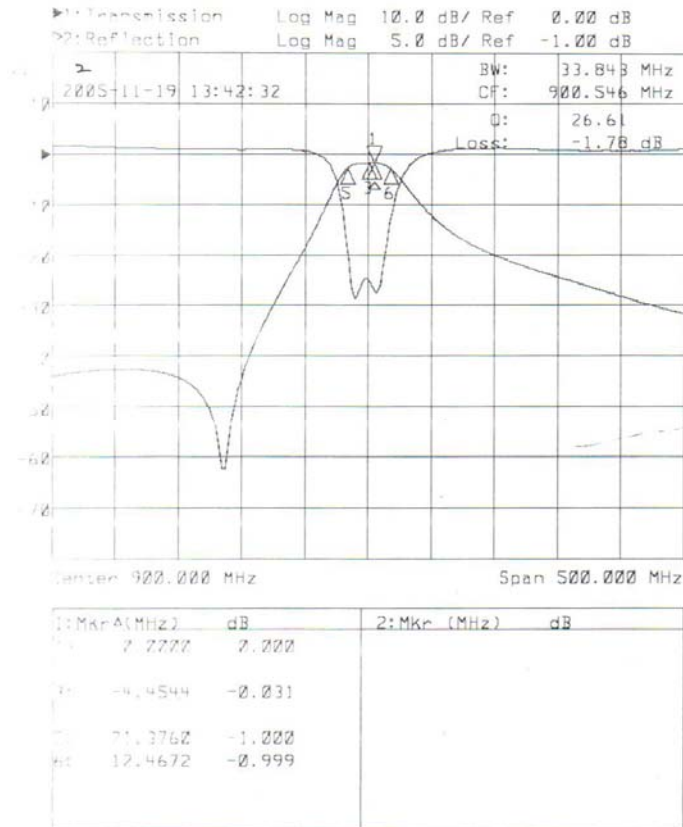
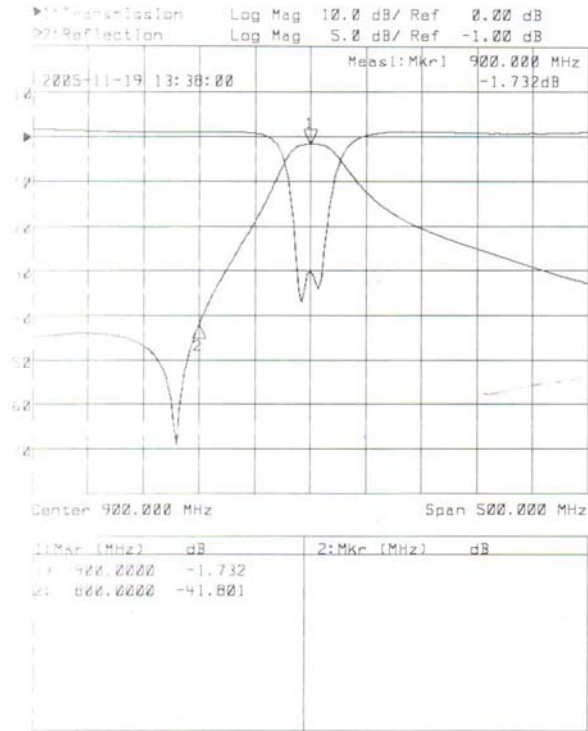


SIPAT Co., Ltd.
(CETC No. 26 Research Institute)
Nanping Huayuan Road No. 14
Chongqing, China, 400060

Part Number	CMF2A900S30CCA	
Rev. Date	2005-11-23	
Rev.	1.0	Page 2/4

SIPAT Co., Ltd.
www.sipatsaw.com

Part Number: CMF2A900S30CCA



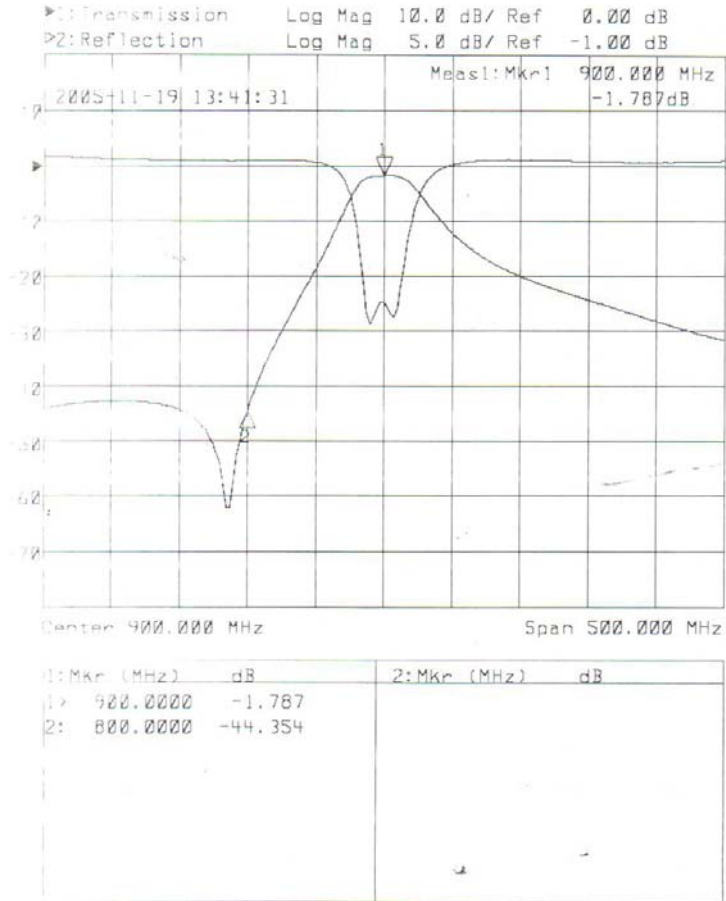
SIPAT Co., Ltd.
(CETC No. 26 Research Institute)
Nanping Huayuan Road No. 14
Chongqing, China, 400060

Part Number CMF2A900S30CCA

Rev. Date 2005-11-23

Rev. 1.0

Page 3/4



SIPAT Co., Ltd.
(CETC No. 26 Research Institute)
Nanping Huayuan Road No. 14
Chongqing, China, 400060

Part Number	CMF2A900S30CCA	
Rev. Date	2005-11-23	
Rev.	1.0	Page 4/4