

**Models 5113A
XLR (F) 3-Pin Rectangular Flanged Panel Mount**



Model 5113A XLR (F) 3-pin rectangular flanged mount

Protect contacts and absorb vibrations in your audio applications

Features

- 3-pin XLR panel mount receptacle with sturdy all metal one piece design
- Solder cup terminations
- Low contact resistance
- Front mountable

Materials

- Housing is die-cast zinc alloy with tarnish resistant nickel plating.
- Contacts are bronze with tin finish (Ground tab is steel).

Ordering Information

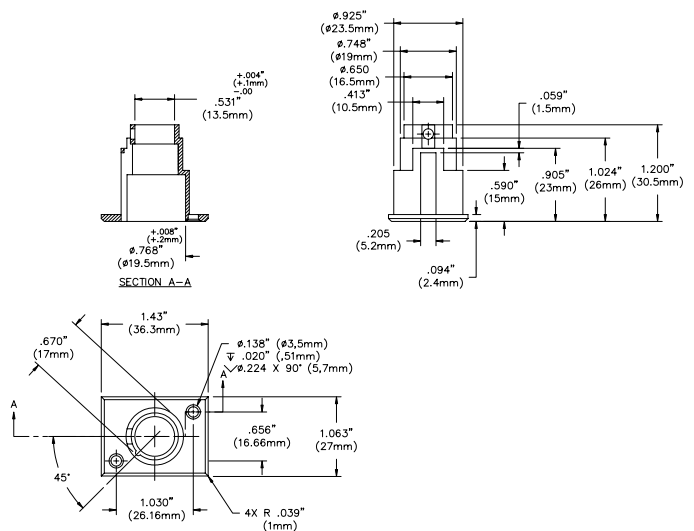
Model: 5113A.

USA: Sales: 800-490-2361 Technical Support: 800-241-2060 Fax: 888-403-3360

Europe: 31-(0) 40 2675 150 **International:** 425-446-5500

e-mail: technicalsupport@pomonatest.com

Where to Buy: www.pomonaelectronics.com



Specifications

Number of contacts	3
Contact resistance	< 5 mΩ
Dielectric strength	1500 V dc
Wire size (AWG)	14 AWG (2.5 mm ²) max.

All dimensions are in inches. Tolerances (except noted): .xx = ±.02" (.51 mm), .xxx = ±.005" (.127 mm). All specifications are to the latest revisions. Specifications are subject to change without notice. Registered trademarks are the property of their respective companies.