

PLEASE CHECK WWW.MOLEX.COM FOR LATEST PART INFORMATION

Part Number: [0907790010](#)
Status: **Active**
Description: 1.27mm (.050") Pitch Picoflex® PF-50 Header, Vertical, Low Profile, High Temperature Surface Mount Compatible, 20 Circuits, Glow Wire Compatible

Documents:

[3D Model](#) [Product Specification PS-99020-0011 \(PDF\)](#)
[Drawing \(PDF\)](#) [RoHS Certificate of Compliance \(PDF\)](#)

General

Product Family PCB Headers
 Series [90779](#)
 Application Wire-to-Board
 Application Tooling Part Link 690081070
 Product Name Picoflex®

Physical

Breakaway No
 Circuits (Loaded) 20
 Color - Resin Natural
 Durability (mating cycles max) 30
 First Mate / Last Break No
 Glow-Wire Compliant Yes
 Guide to Mating Part No
 Keying to Mating Part None
 Lock to Mating Part Yes
 Material - Metal Brass
 Material - Plating Mating Tin
 Material - Resin High Temperature Thermoplastic
 Number of Rows 1
 Orientation Vertical
 PCB Retention Yes
 PCB Thickness Recommended (in) 0.062 In
 PCB Thickness Recommended (mm) 1.60 mm
 Packaging Type Bag
 Pitch - Mating Interface (in) 0.050 In
 Pitch - Mating Interface (mm) 1.27 mm
 Plating min: Mating (µin) 160
 Plating min: Mating (µm) 4
 Plating min: Termination (µin) 160
 Plating min: Termination (µm) 4
 Polarized to Mating Part Yes
 Polarized to PCB Yes
 Shrouded No
 Stackable No
 Surface Mount Compatible (SMC) Yes
 Temperature Range - Operating -40°C to +105°C
 Termination Interface: Style Through Hole

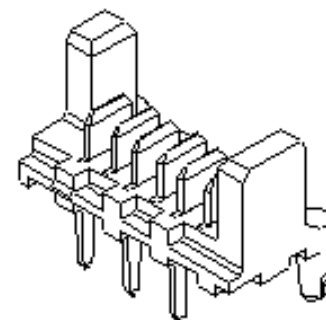
Electrical

Current - Maximum per Contact 1.2A
 Voltage - Maximum 250V

Solder Process Data

Lead-free Process Capability Wave Capable (TH only)

Material Info



Series

image - Reference only

EU RoHS

ELV and RoHS Compliant

REACH SVHC

Contains SVHC: No

Halogen-Free

Status

Not Halogen-Free

China RoHS



Need more information on product environmental compliance?

Email productcompliance@molex.com
 For a multiple part number RoHS Certificate of Compliance, [click here](#)

Please visit the [Contact Us](#) section for any non-product compliance questions.

Search Parts in this Series

[90779Series](#)

Mates With

[90327 IDT Connector](#)

Application Tooling | FAQ

Tooling specifications and manuals are found by selecting the products below. Crimp Height Specifications are then contained in the Application Tooling Specification document.

Global

| Description | Product # |
|---|----------------------------|
| Extraction Tool (Plastic) for 90327 Connector, 4-26 Circuit | 0690081070 |

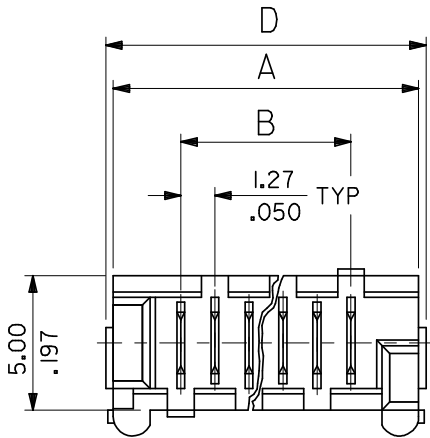
Reference - Drawing Numbers

Product Specification
Sales Drawing

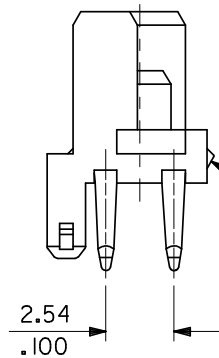
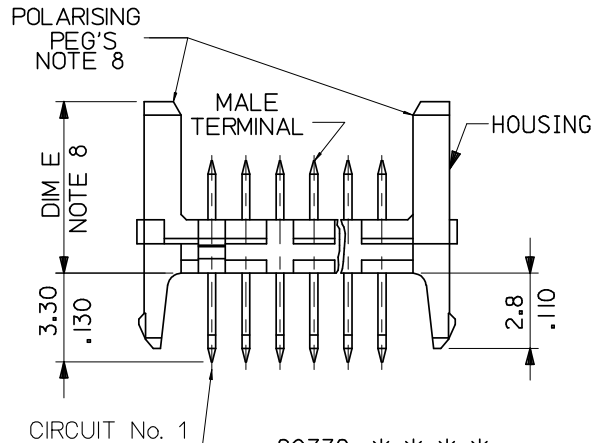
PS-99020-0011
SDA-90779

This document was generated on 04/23/2010

PLEASE CHECK WWW.MOLEX.COM FOR LATEST PART INFORMATION

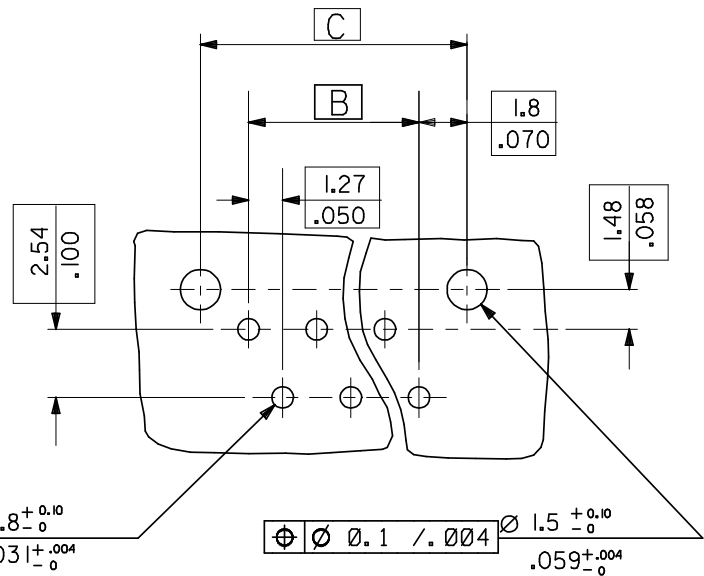


MOULD BASE COLOUR: NATURAL



LATCH FOR FEMALE CONNECTOR

PCB LAYOUT VIEWED FROM SOLDER SIDE. BOARD 1.60±0.14 THK .063±.006 THK.



| | | | | | | |
|-------------|-------------|---------------|---------------|---------------|---------------|-------------------|
| 90779-***13 | 26 | 36.80 / 1.449 | 31.75 / 1.250 | 35.35 / 1.392 | 37.26 / 1.467 | 14 |
| ↑ -**12 | 24 | 34.26 / 1.349 | 29.21 / 1.150 | 32.81 / 1.292 | 34.72 / 1.367 | 15 |
| -**11 | 22 | 31.72 / 1.249 | 26.67 / 1.050 | 30.27 / 1.192 | 32.18 / 1.267 | 16 |
| -**10 | 20 | 29.18 / 1.149 | 24.13 / .950 | 27.73 / 1.092 | 29.64 / 1.167 | 18 |
| -**08 | 18 | 26.64 / 1.049 | 21.59 / .850 | 25.19 / .992 | 27.10 / 1.067 | 19 |
| -**07 | 16 | 24.10 / .949 | 19.05 / .750 | 22.65 / .892 | 24.56 / .967 | 22 |
| -**06 | 14 | 21.56 / .849 | 16.51 / .650 | 20.11 / .792 | 22.02 / .867 | 24 |
| -**05 | 12 | 19.02 / .749 | 13.97 / .550 | 17.57 / .692 | 19.48 / .767 | 27 |
| -**04 | 10 | 16.48 / .649 | 11.43 / .450 | 15.03 / .592 | 16.94 / .667 | 32 |
| -**03 | 8 | 13.94 / .549 | 8.89 / .350 | 12.49 / .492 | 14.40 / .567 | 36 |
| ↓ -**02 | 6 | 11.40 / .449 | 6.35 / .250 | 9.95 / .392 | 11.86 / .467 | 44 |
| 90779-**01 | 4 | 8.86 / .349 | 3.81 / .150 | 7.41 / .292 | 9.32 / .367 | 57 |
| PART NO. | NO. OF CKTS | DIM. A | DIM. B | DIM. C | DIM. D | NO. ASSYS IN TUBE |

90779-***
 0= 4-6um TIN ASSY
 3= 0.76um GOLD ASSY
 7= 0.76um GOLD, TUBED
 9= 4-6um TIN ASSY TUBED
 CIRCUIT SIZE 04CKT TO 26CKT -SEE TABLE ABOVE FOR PART CODE
 0 - STANDARD
 9 - SHORT VERSION

NOTES
 1. HOUSING. NYLON 46, GLASS FILLED UL 94 V-0, NATURAL (WHITE).
 2. TERMINAL. BRASS

PLATING. TIN: 0.00127mm/.011" MIN NICKEL UNDER 0.004-0.006mm/.160-.240" TIN

PLATING. GOLD: 0.00127mm/.050" MIN. NICKEL UNDER 0.003-0.005mm/.120-.200" TIN SELECTIVE AND 0.00076mm/.030" SELECTIVE GOLD

3. APPLICATION CLASS TO DIN 40040 HME (-25°C/+100°C)
 4. PIN PUSH FORCE 7N
 5. TEST VOLTAGE: 750V.A.C./1 MIN
 6. COMPATIBLE WITH MOLEX PART 90327
 7. PRODUCT SPECIFICATION: PS-99020-0011
 8. POLARISING PEG AVAILABLE IN 2 OPTIONS
 DIM E: STANDARD 6.40mm/.252"
 DIM E: SHORT VERSION 4.10mm/.161"

| | | | | |
|--|--|---|-------------|--------------------------------|
| ADDED PART NUMBERS SHORT POL PEG VERSION EC NO: E2008-0379 | 2008/02/28 2008/02/28 2008/02/28 | DRWN: DBYRNES CHKD: APPR: J WALLACE | DESCRIPTION | QUALITY SYMBOLS ▽=0 ▽C=0 |
|--|--|---|-------------|--------------------------------|

| | | | | | |
|--|---------------------------|---------------------------|---|------------------------|--|
| GENERAL TOLERANCES (UNLESS SPECIFIED) | DIMENSION STYLE MM/IN | SCALE 5:1 | DESIGN UNITS METRIC | THIRD ANGLE PROJECTION | |
| 4 PLACES ± --- ±.008 | DRAWN BY BGB | DATE 1992/08/21 | HEADER ASSEMBLY | | |
| 3 PLACES ±0.20 ±.008 | CHECKED BY DMOR IARTY | DATE 2004/12/03 | | | |
| 2 PLACES ±0.20 ±--- | APPROVED BY J DENNEHY | DATE 2004/12/03 | | | |
| 1 PLACE ± --- ±--- | MATERIAL NO. SEE CHART | DOCUMENT NO. SDA-90779 | | | |
| DRAFT WHERE APPLICABLE MUST REMAIN WITHIN DIMENSIONS | | SIZE A3 | THIS DRAWING CONTAINS INFORMATION THAT IS PROPRIETARY TO MOLEX INCORPORATED AND SHOULD NOT BE USED WITHOUT WRITTEN PERMISSION | | |