

PLEASE CHECK WWW.MOLEX.COM FOR LATEST PART INFORMATION

Part Number: [0558901511](#)
Status: **Active**
Description: CRC™ Shielded Rectangular I/O Receptacle Pin Housing for Male Terminal, Power, 15 Circuits, Polarization Type A, Sequence Position A-1

Documents:

[Drawing \(PDF\)](#) [RoHS Certificate of Compliance \(PDF\)](#)
[Product Specification PS-51300-001 \(PDF\)](#)

Agency Certification

TUV R72081037
 UL E29179

General

Product Family I/O Connectors
 Series [55890](#)
 Application Panel-Mount, Wire-to-Wire
 Component Type Housing
 Product Name CRC™
 Type N/A

Physical

Boot Color N/A
 Circuits (Loaded) N/A
 Circuits (maximum) 15
 Color - Resin Black
 Durability (mating cycles max) 100
 Flammability 94V-0
 Gender Receptacle
 Keying to Mating Part Yes
 Lock to Mating Part Yes
 Material - Metal Stainless Steel
 Material - Plating Mating n/a
 Material - Resin Polyester
 Number of Rows 5
 Orientation Vertical
 PCB Locator No
 Packaging Type Tray
 Panel Mount Front, Rear
 Pitch - Mating Interface (in) 0.197 In
 Pitch - Mating Interface (mm) 5.00 mm
 Pitch - Term. Interface (in) 0.197 In
 Pitch - Term. Interface (mm) 5.00 mm
 Polarized to Mating Part Yes
 Polarized to PCB N/A
 Ports 1
 Surface Mount Compatible (SMC) N/A
 Temperature Range - Operating -40°C to +105°C
 Termination Interface: Style N/A
 Waterproof / Dustproof No

Electrical

Current - Maximum per Contact 10A, 12A, 15A
 Shielded No
 Voltage - Maximum 250V AC (RMS)/DC

Material Info



image - Reference only

EU RoHS

ELV and RoHS Compliant
REACH SVHC Contains SVHC: No
Halogen-Free Status Not Reviewed

China RoHS



Need more information on product environmental compliance?

Email productcompliance@molex.com
 For a multiple part number RoHS Certificate of Compliance, [click here](#)

Please visit the [Contact Us](#) section for any non-product compliance questions.

Search Parts in this Series

[55890Series](#)

Mates With

[51297](#) plug assembly set, [51301](#) plug housing

Use With

56193 male terminal, 56377-50** receptacle shell

Reference - Drawing Numbers

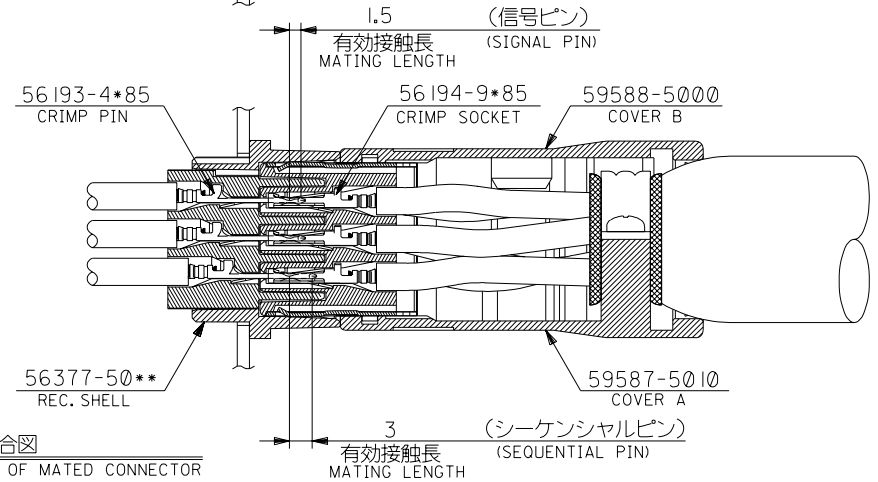
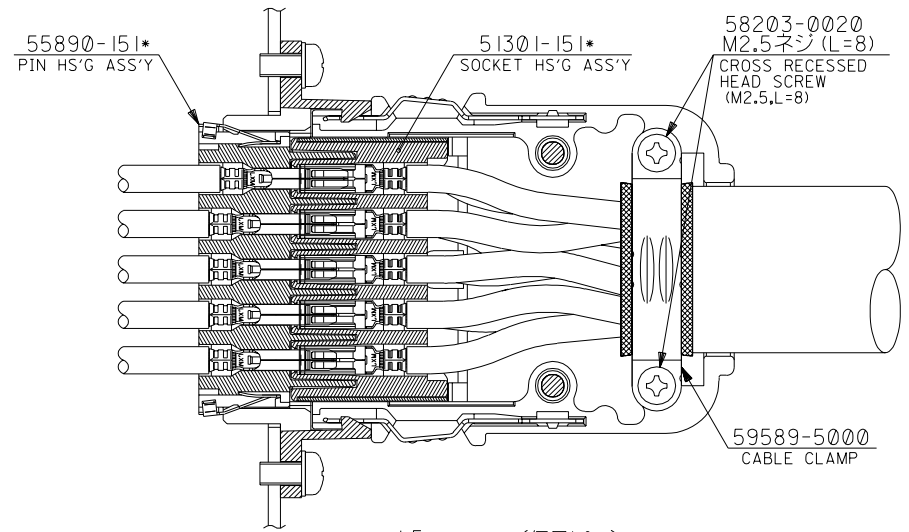
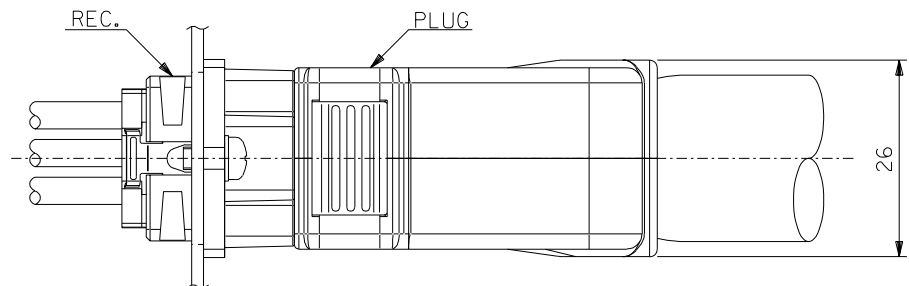
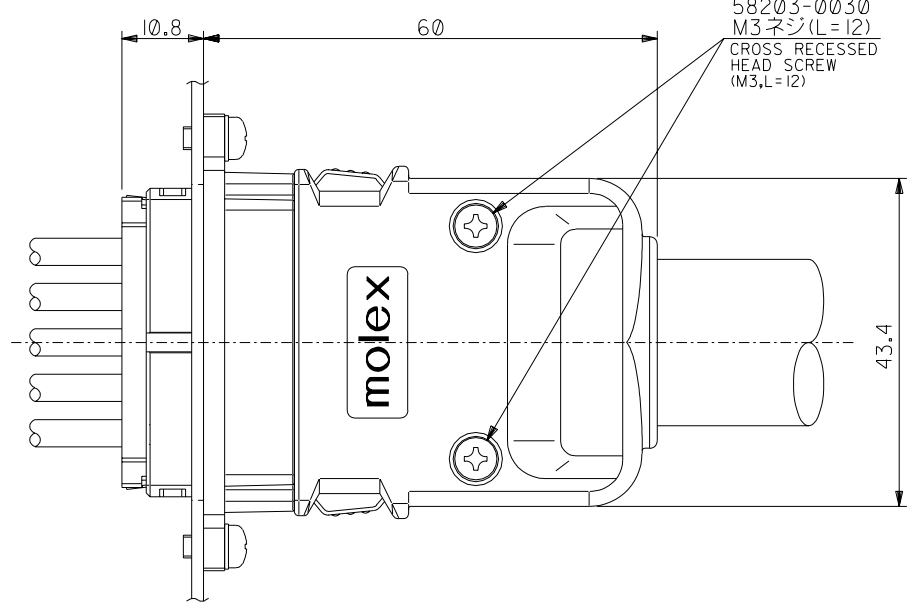
Product Specification
Sales Drawing

PS-51300-001
SD-55890-001

This document was generated on 05/10/2010

PLEASE CHECK WWW.MOLEX.COM FOR LATEST PART INFORMATION

DWG. NO.
SD-55890-001



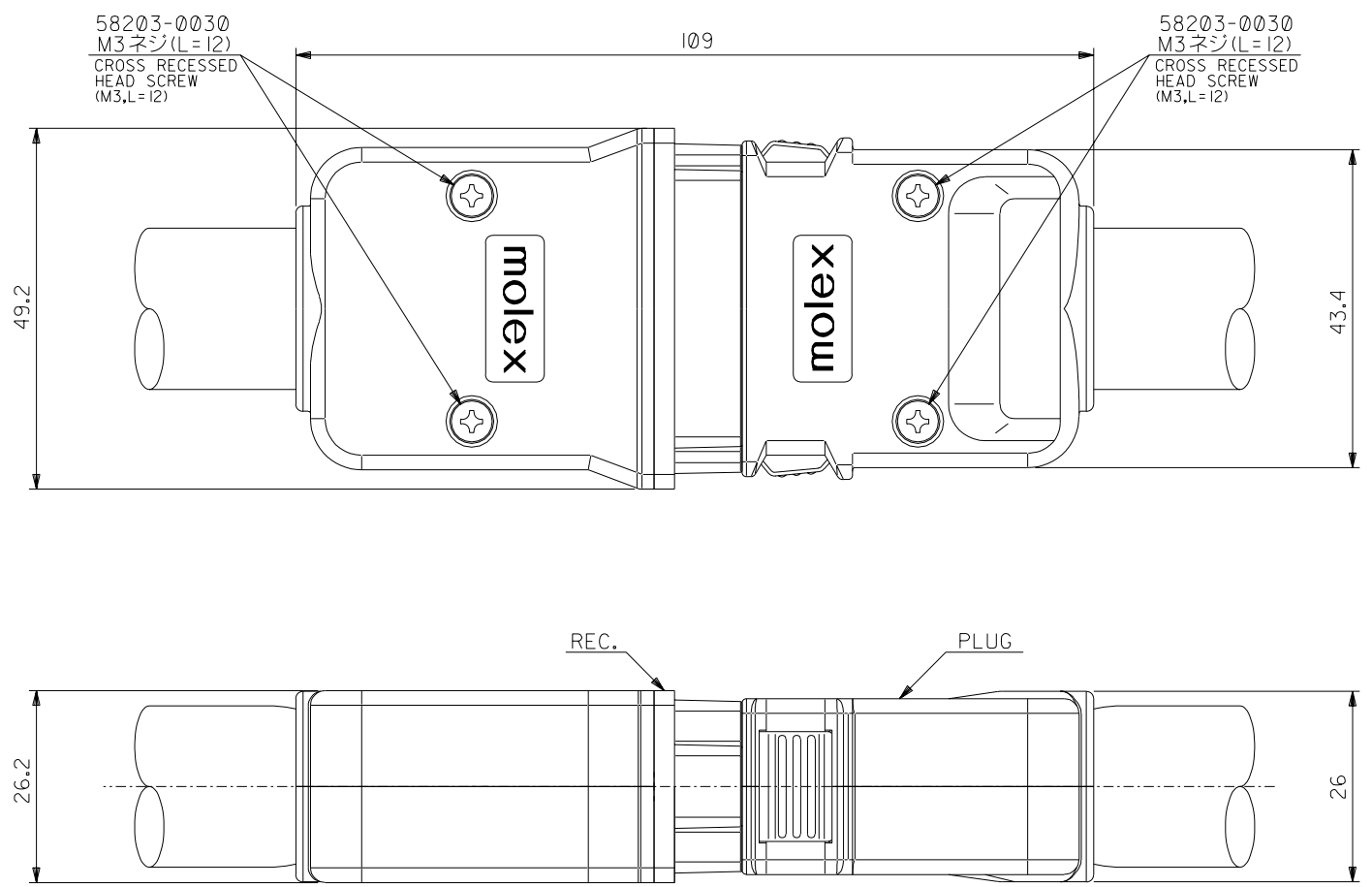
嵌合図
CROSS-SECTION VIEW OF MATED CONNECTOR

DO NOT SCALE DRAWING

EC NO. DRWN: CHK: APPR:	EC NO. DRWN: CHK: APPR:	EC NO. DRWN: CHK: APPR:	EC NO. DRWN: CHK: APPR:	EC NO. DRWN: CHK: APPR:	EC NO. J2003-3272 DRWN: S.AKIYAMA CHK: J.MIYAZAWA APPR: Y.O.ITO	MATERIAL 材料 注記参照 SEE NOTES	FINISH 仕上げ #	WIRE RANGE 適用電線範囲 #	INS. RANGE 被覆外径 #	GENERAL TOLERANCES: (UNLESS SPECIFIED) 一般公差	SCALE □ mm □ INCH ☑ mm □ INCH	DESIGN UNITS □ mm □ INCH ☑ mm □ INCH	THIRD ANGLE PROJECTION ☉	DIMENSIONS: □ mm □ INCH ☑ mm □ INCH ☒ mm ONLY	SHT REVISE ON CAD ONLY	REV CAD ONLY
										10 UNDER 未満 ±0.2	10 OVER 以上 30 UNDER 未満 ±0.25	30 OVER 以上 ±0.3	ANGLE 角度 ±3°	DRAWN BY & DATE S. Akiyama '03/02/28	CHECKED BY & DATE J. Miyazawa '03/03/04	APPROVED BY & DATE Y.O.Ito '03/03/04

THIS DRAWING CONTAINS INFORMATION THAT IS PROPRIETARY TO MOLEX INCORPORATED AND SHOULD NOT BE USED WITHOUT WRITTEN PERMISSION.

DWG. NO.
SD-55890-001

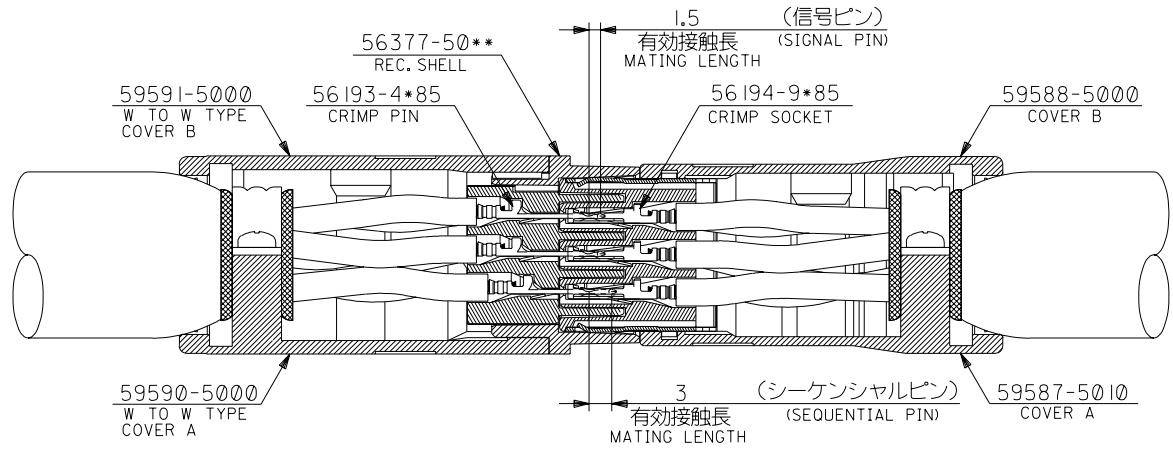
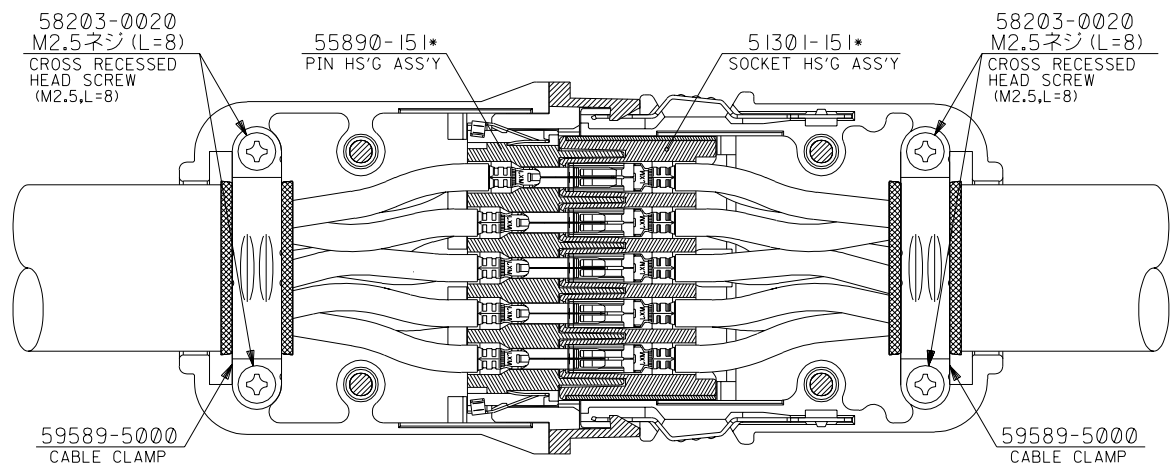


嵌合図 (中継タイプ)
CROSS-SECTION VIEW OF MATED CONNECTOR
(WIRE TO WIRE TYPE)

DO NOT SCALE DRAWING

EC NO. DRWN: CHK: APPR:		EC NO. DRWN: CHK: APPR:		EC NO. DRWN: CHK: APPR:		EC NO. DRWN: CHK: APPR:		EC NO. DRWN: CHK: APPR:		EC NO. J2003-3272 DRWN: S.AKIYAMA CHK: J.MIYAZAWA APPR: Y.OITO		MATERIAL 材料 注記参照 SEE NOTES		GENERAL TOLERANCES: (UNLESS SPECIFIED) 一般公差 10 UNDER 未満 ±0.2 10 OVER 以上 30 UNDER 未満 ±0.25 30 OVER 以上 ±0.3 ANGLE 角度 ±3°		SCALE DESIGN UNITS <input checked="" type="checkbox"/> mm <input type="checkbox"/> INCH DRAWN BY & DATE S. Akiyama '03/02/28 CHECKED BY & DATE J. Miyazawa '03/03/04 APPROVED BY & DATE Y. Oito '03/03/04		DIMENSIONS: <input type="checkbox"/> mm <input type="checkbox"/> INCH <input checked="" type="checkbox"/> mm ONLY SHT REV REVISE ON CAD ONLY		TITLE: COMPACT ROBOT CONN. (CRC) POWER REC. PIN HS'G ASS'Y		MOLEX INCORPORATED		CAD FILENAME SD-55890-001.S03		MATERIAL NO. SEE CHART		DRAWING NO. SD-55890-001		SHEET NO. 3 OF 4	
0 REV INS. RANGE 被覆外径 # WIRE RANGE 適用電線範囲 # FINISH 仕上げ #										THIS DRAWING CONTAINS INFORMATION THAT IS PROPRIETARY TO MOLEX INCORPORATED AND SHOULD NOT BE USED WITHOUT WRITTEN PERMISSION.										SIZE B											

DWG. NO. SD-55890-001



嵌合図 (中継タイプ)
CROSS-SECTION VIEW OF MATED CONNECTOR
(WIRE TO WIRE TYPE)

DO NOT SCALE DRAWING

EC NO.	DRWN:	CHK:	APPR:	EC NO.	DRWN:	CHK:	APPR:	EC NO.	DRWN:	CHK:	APPR:	EC NO.	DRWN:	CHK:	APPR:

RELEASED 03/06/27
EC NO. J2003-3272
DRWN: S. AKIYAMA
CHK: J. MIYAZAWA
APPR: Y. ITO

MATERIAL 材料	注記参照 SEE NOTES
FINISH 仕上げ	#
WIRE RANGE 適用電線範囲	#
INS. RANGE 被覆外径	#

GENERAL TOLERANCES: (UNLESS SPECIFIED) 一般公差	
10 UNDER 未満	±0.2
10 OVER 30 UNDER 以上 未満	±0.25
30 OVER 以上	±0.3
ANGLE 角度	±3°

SCALE	DESIGN UNITS mm □ INCH
DRAWN BY & DATE S. Akiyama '03/02/28	
CHECKED BY & DATE J. Miyazawa '03/03/04	
APPROVED BY & DATE Y. Ito '03/03/04	
CAD FILENAME SD-55890-001.S04	MATERIAL NO. SEE CHART

DIMENSIONS: mm □ INCH □ mm ONLY		SHT	REV
THIRD ANGLE PROJECTION		4	0
TITLE: COMPACT ROBOT CONN. (CRC) POWER REC. PIN HS'G ASS'Y			
MOLEX INCORPORATED			
MATERIAL NO.	DRAWING NO.	SHEET NO.	
SEE CHART	SD-55890-001	4 OF 4	
THIS DRAWING CONTAINS INFORMATION THAT IS PROPRIETARY TO MOLEX INCORPORATED AND SHOULD NOT BE USED WITHOUT WRITTEN PERMISSION.			SIZE B