

**PLEASE CHECK WWW.MOLEX.COM FOR LATEST PART INFORMATION**

**Part Number:** [0533643671](#)  
**Status:** **Active**  
**Description:** 0.80mm (.031") Pitch Board-to-Board Header, Surface Mount, Dual Row, Vertical, 6.00 and 7.00mm (.236 and .276") Stacking Heights, Lead-free, 36 Circuits

**Documents:**

[3D Model](#) [Product Specification PS-52465-010 \(PDF\)](#)  
[Drawing \(PDF\)](#) [RoHS Certificate of Compliance \(PDF\)](#)

**General**

Product Family PCB Headers  
 Series 53364  
 Application Board-to-Board  
 Product Name N/A

**Physical**

Breakaway No  
 Circuits (Loaded) 36  
 Circuits (maximum) 36  
 Color - Resin Natural  
 Durability (mating cycles max) 30  
 First Mate / Last Break No  
 Glow-Wire Compliant No  
 Guide to Mating Part No  
 Keying to Mating Part None  
 Lock to Mating Part Yes  
 Mated Height (in) 0.236 In, 0.276 In  
 Mated Height (mm) 6.00 mm, 7.00 mm  
 Material - Plating Mating Tin  
 Material - Resin High Temperature Thermoplastic  
 Number of Rows 2  
 Orientation Vertical  
 PC Tail Length (in) 0.020 In  
 PC Tail Length (mm) 0.50 mm  
 PCB Locator No  
 PCB Retention None  
 Packaging Type Embossed Tape on Reel  
 Pitch - Mating Interface (in) 0.031 In  
 Pitch - Mating Interface (mm) 0.80 mm  
 Polarized to Mating Part Yes  
 Polarized to PCB No  
 Shrouded Fully  
 Stackable No  
 Temperature Range - Operating -20°C to +105°C  
 Termination Interface: Style Surface Mount

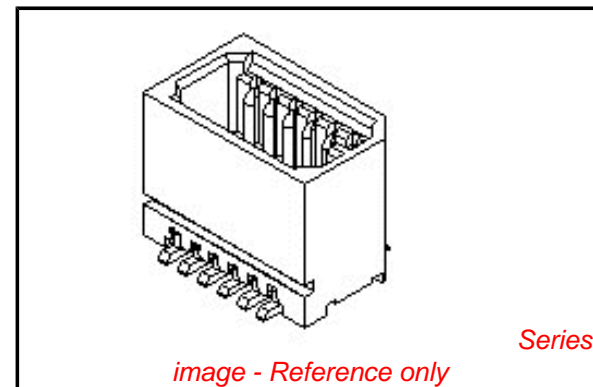
**Electrical**

Current - Maximum per Contact 0.5A  
 Voltage - Maximum 50V

**Material Info**

**Reference - Drawing Numbers**

Product Specification PS-52465-010, RPS-52465-048  
 Sales Drawing SD-53364-\*\*71, SD-53364-003



**EU RoHS**

**ELV and RoHS Compliant**  
**REACH SVHC**  
 Not Reviewed  
**Halogen-Free Status**  
**Not Reviewed**

**China RoHS**



**Need more information on product environmental compliance?**

Email [productcompliance@molex.com](mailto:productcompliance@molex.com)  
 For a multiple part number RoHS Certificate of Compliance, [click here](#)

Please visit the [Contact Us](#) section for any non-product compliance questions.

**Search Parts in this Series**

53364Series

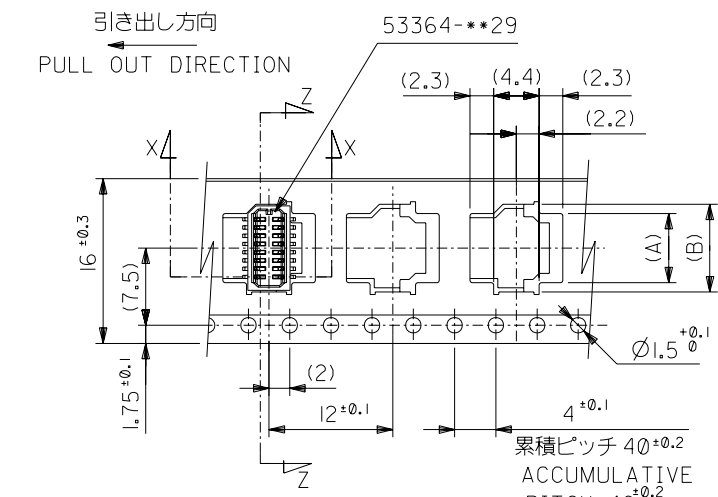
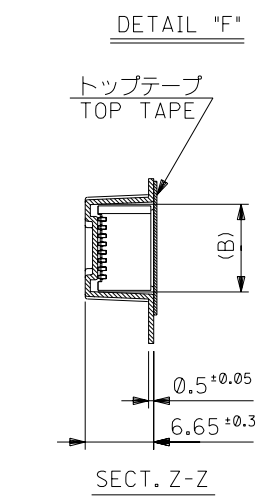
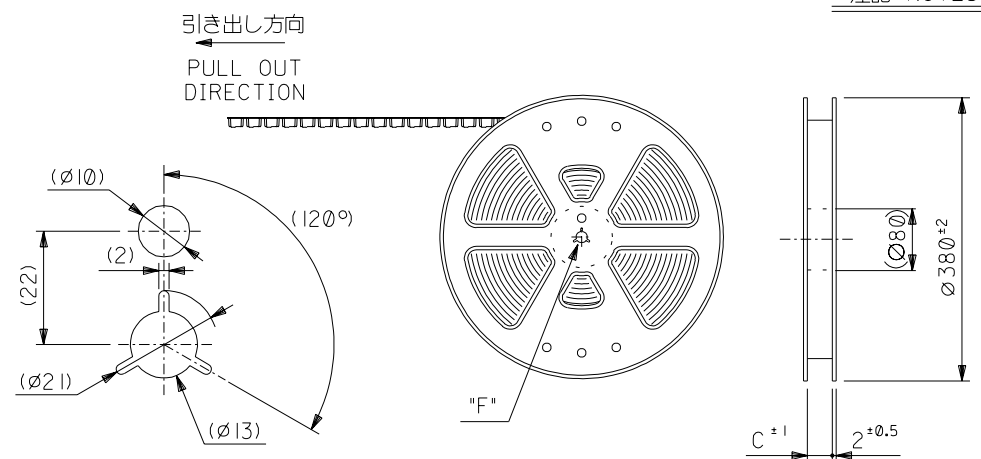
**Mates With**

52465 PCB Receptacle. 52588 PCB Receptacle Floating Type

This document was generated on 04/21/2010

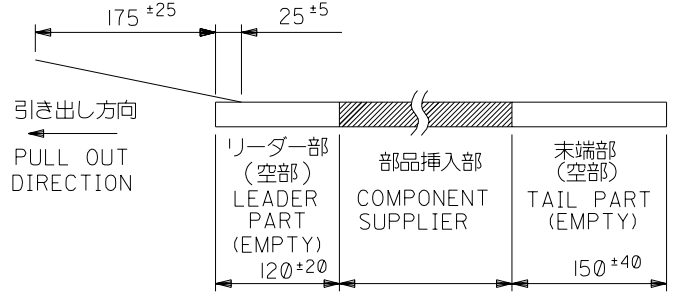
**PLEASE CHECK [WWW.MOLEX.COM](http://WWW.MOLEX.COM) FOR LATEST PART INFORMATION**

DWG. NO. SD-53364-\*\*-71

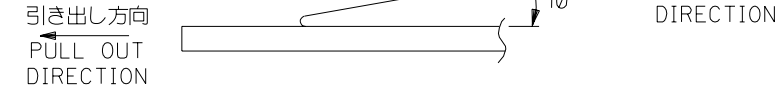


注記 NOTES

1. 梱包数量：1000個/リール NUMBER OF CONNECTORS:1000PCS/REEL
2. リードテープ長さ LEAD TAPE LENGTH



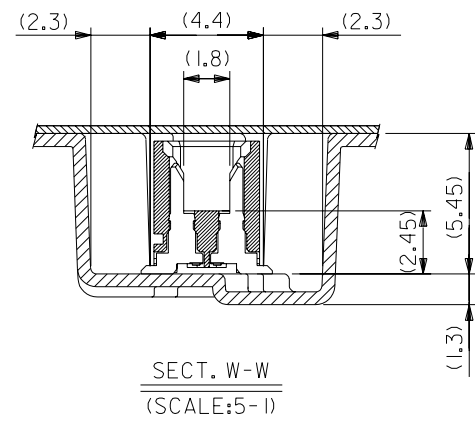
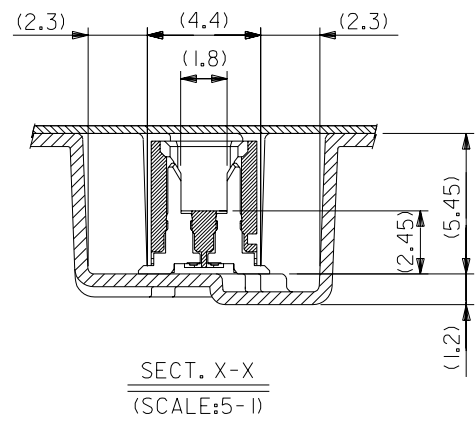
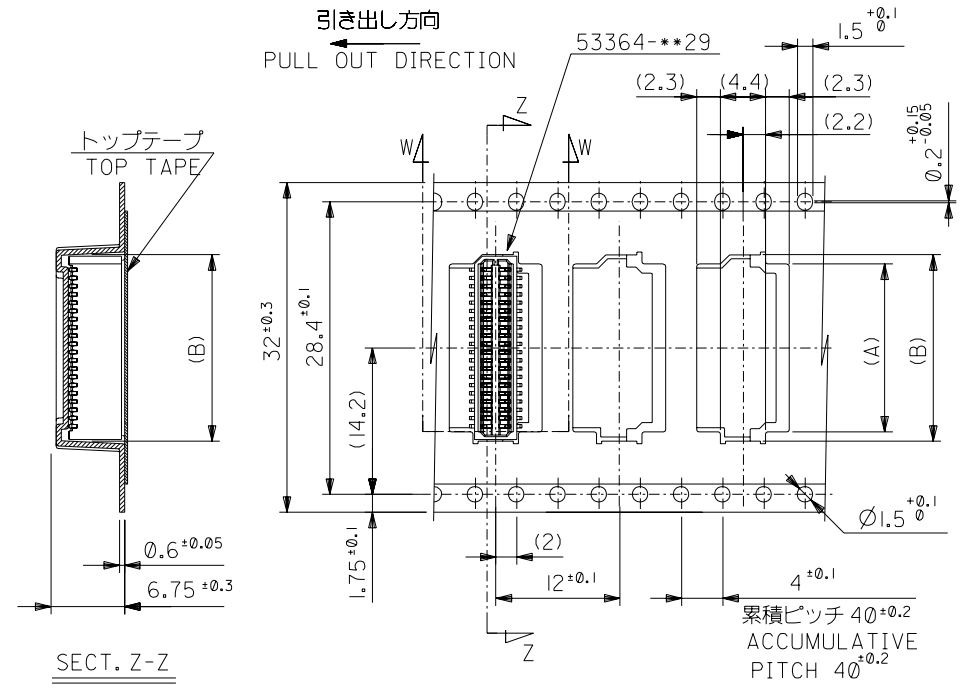
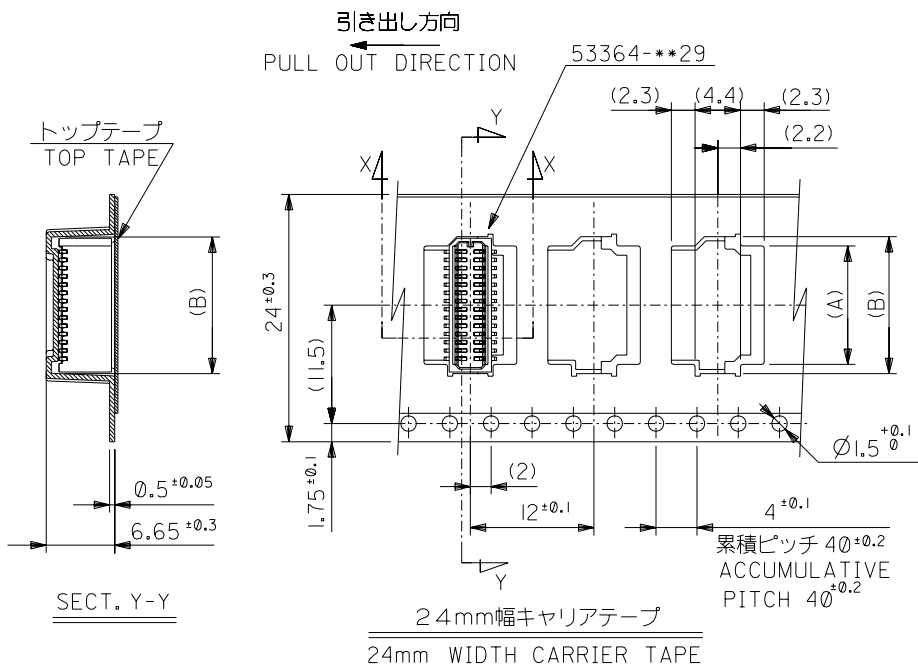
3. トップテープの剥離強度：(剥離方向は下図参照)  
0.1N ~ 1.3N(10gf ~ 130gf) 尚、本規格値は、出荷時に適用。  
(但し、輸送時に剥離が発生しない事。)
- PEELING OFF FORCE OF TOP TAPE  
0.1N ~ 1.3N(10gf ~ 130gf) (PEELING DIRECTION AS SHOWN IN FOLLOWING FIG.)  
THIS REQUIREMENT SHOULD BE APPLIED AT SHIPMENT  
PEEL OFF SHOULD NOT BE ALLOWED,  
DURING TRANSPORTATION



4. 材料 MATERIAL  
キャリアテープ：ポリプロピレン (PP) CARRIER TAPE:POLYPROPYLENE  
トップテープ：PET, PE, PEF TOP TAPE:PET,PE,PEF  
リール：ポリスチレン (PS) REEL:POLYSTYREN(PS)  
<リサイクル材を含む> <RECYCLE MATERIAL CONTAINED>
5. 本製品は 53364-\*\*-91 の鉛フリー品である。  
THIS PRODUCT IS LEAD FREE OF 53364-\*\*-91.

16	17.5	9.3	7.5	53364-1871	18	
		6.9	5.1	53364-1271	12	
		6.1	4.3	53364-1071	10	
キャリアテープ幅 CARRIER TAPE WIDTH		C	(B)	(A)	MATERIAL. NO.	極数 CIRCUIT

角度 ANGLE		材料 MATERIAL		注記参照 SEE NOTES		MATERIAL 注記参照 SEE NOTES		MATERIAL 注記参照 SEE NOTES	
30 以上 OVER		30		仕上げ FINISH		—#—		REVISE ONLY ON CAD SYSTEM	
10 以上 30 未満 OVER UNDER		+0.25		適用電線範囲 WIRE RANGE		—#—		TITLE 名称	
未満 10 未満 UNDER		+0.2		被覆外径 INS. RANGE		—#—		0.8 BtB Conn Wafer Assy ST SMT Without Boss Embstp Pkg -LEAD FREE-	
一般公差 GENERAL TOLERANCES		記号 LTR		変更内容 REVISION RECORD		DR. CHK.		DATE	
		①		新規作成 (J2004-1478) RELEASED		MN KT		03/12/11	
				APP'D BY '03/12/11		M.SASAO		尺度 SCALE	
				DRAWN BY '03/12/11		M.NINOMIYA		CHK'D BY '03/12/11	
				APP'D BY '03/12/11		M.SASAO		尺度 SCALE	
				DRAWN BY '03/12/11		M.NINOMIYA		CHK'D BY '03/12/11	
				APP'D BY '03/12/11		M.SASAO		尺度 SCALE	
				DRAWN BY '03/12/11		M.NINOMIYA		CHK'D BY '03/12/11	
				APP'D BY '03/12/11		M.SASAO		尺度 SCALE	
				DRAWN BY '03/12/11		M.NINOMIYA		CHK'D BY '03/12/11	
				APP'D BY '03/12/11		M.SASAO		尺度 SCALE	
				DRAWN BY '03/12/11		M.NINOMIYA		CHK'D BY '03/12/11	
				APP'D BY '03/12/11		M.SASAO		尺度 SCALE	
				DRAWN BY '03/12/11		M.NINOMIYA		CHK'D BY '03/12/11	
				APP'D BY '03/12/11		M.SASAO		尺度 SCALE	
				DRAWN BY '03/12/11		M.NINOMIYA		CHK'D BY '03/12/11	
				APP'D BY '03/12/11		M.SASAO		尺度 SCALE	
				DRAWN BY '03/12/11		M.NINOMIYA		CHK'D BY '03/12/11	
				APP'D BY '03/12/11		M.SASAO		尺度 SCALE	
				DRAWN BY '03/12/11		M.NINOMIYA		CHK'D BY '03/12/11	
				APP'D BY '03/12/11		M.SASAO		尺度 SCALE	
				DRAWN BY '03/12/11		M.NINOMIYA		CHK'D BY '03/12/11	
				APP'D BY '03/12/11		M.SASAO		尺度 SCALE	
				DRAWN BY '03/12/11		M.NINOMIYA		CHK'D BY '03/12/11	
				APP'D BY '03/12/11		M.SASAO		尺度 SCALE	
				DRAWN BY '03/12/11		M.NINOMIYA		CHK'D BY '03/12/11	
				APP'D BY '03/12/11		M.SASAO		尺度 SCALE	
				DRAWN BY '03/12/11		M.NINOMIYA		CHK'D BY '03/12/11	
				APP'D BY '03/12/11		M.SASAO		尺度 SCALE	
				DRAWN BY '03/12/11		M.NINOMIYA		CHK'D BY '03/12/11	
				APP'D BY '03/12/11		M.SASAO		尺度 SCALE	
				DRAWN BY '03/12/11		M.NINOMIYA		CHK'D BY '03/12/11	
				APP'D BY '03/12/11		M.SASAO		尺度 SCALE	
				DRAWN BY '03/12/11		M.NINOMIYA		CHK'D BY '03/12/11	
				APP'D BY '03/12/11		M.SASAO		尺度 SCALE	
				DRAWN BY '03/12/11		M.NINOMIYA		CHK'D BY '03/12/11	
				APP'D BY '03/12/11		M.SASAO		尺度 SCALE	
				DRAWN BY '03/12/11		M.NINOMIYA		CHK'D BY '03/12/11	
				APP'D BY '03/12/11		M.SASAO		尺度 SCALE	
				DRAWN BY '03/12/11		M.NINOMIYA		CHK'D BY '03/12/11	
				APP'D BY '03/12/11		M.SASAO		尺度 SCALE	
				DRAWN BY '03/12/11		M.NINOMIYA		CHK'D BY '03/12/11	
				APP'D BY '03/12/11		M.SASAO		尺度 SCALE	
				DRAWN BY '03/12/11		M.NINOMIYA		CHK'D BY '03/12/11	
				APP'D BY '03/12/11		M.SASAO		尺度 SCALE	
				DRAWN BY '03/12/11		M.NINOMIYA		CHK'D BY '03/12/11	
				APP'D BY '03/12/11		M.SASAO		尺度 SCALE	
				DRAWN BY '03/12/11		M.NINOMIYA		CHK'D BY '03/12/11	
				APP'D BY '03/12/11		M.SASAO		尺度 SCALE	
				DRAWN BY '03/12/11		M.NINOMIYA		CHK'D BY '03/12/11	
				APP'D BY '03/12/11		M.SASAO		尺度 SCALE	
				DRAWN BY '03/12/11		M.NINOMIYA		CHK'D BY '03/12/11	
				APP'D BY '03/12/11		M.SASAO		尺度 SCALE	
				DRAWN BY '03/12/11		M.NINOMIYA		CHK'D BY '03/12/11	
				APP'D BY '03/12/11		M.SASAO		尺度 SCALE	
				DRAWN BY '03/12/11		M.NINOMIYA		CHK'D BY '03/12/11	
				APP'D BY '03/12/11		M.SASAO		尺度 SCALE	
				DRAWN BY '03/12/11		M.NINOMIYA		CHK'D BY '03/12/11	
				APP'D BY '03/12/11		M.SASAO		尺度 SCALE	
				DRAWN BY '03/12/11		M.NINOMIYA		CHK'D BY '03/12/11	
				APP'D BY '03/12/11		M.SASAO		尺度 SCALE	
				DRAWN BY '03/12/11		M.NINOMIYA		CHK'D BY '03/12/11	
				APP'D BY '03/12/11		M.SASAO		尺度 SCALE	
				DRAWN BY '03/12/11		M.NINOMIYA		CHK'D BY '03/12/11	
				APP'D BY '03/12/11		M.SASAO		尺度 SCALE	
				DRAWN BY '03/12/11		M.NINOMIYA		CHK'D BY '03/12/11	
				APP'D BY '03/12/11		M.SASAO		尺度 SCALE	
				DRAWN BY '03/12/11		M.NINOMIYA		CHK'D BY '03/12/11	
				APP'D BY '03/12/11		M.SASAO		尺度 SCALE	
				DRAWN BY '03/12/11		M.NINOMIYA		CHK'D BY '03/12/11	
				APP'D BY '03/12/11		M.SASAO		尺度 SCALE	
				DRAWN BY '03/12/11		M.NINOMIYA		CHK'D BY '03/12/11	
				APP'D BY '03/12/11		M.SASAO		尺度 SCALE	
				DRAWN BY '03/12/11		M.NINOMIYA		CHK'D BY '03/12/11	
				APP'D BY '03/12/11		M.SASAO		尺度 SCALE	
				DRAWN BY '03/12/11		M.NINOMIYA		CHK'D BY '03/12/11	
				APP'D BY '03/12/11		M.SASAO		尺度 SCALE	
				DRAWN BY '03/12/11		M.NINOMIYA		CHK'D BY '03/12/11	
				APP'D BY '03/12/11		M.SASAO		尺度 SCALE	
				DRAWN BY '03/12/11		M.NINOMIYA		CHK'D BY '03/12/11	
				APP'D BY '03/12/11		M.SASAO		尺度 SCALE	
				DRAWN BY '03/12/11		M.NINOMIYA		CHK'D BY '03/12/11	
				APP'D BY '03/12/11		M.SASAO		尺度 SCALE	
				DRAWN BY '03/12/11		M.NINOMIYA		CHK'D BY '03/12/11	
				APP'D BY '03/12/11		M.SASAO		尺度 SCALE	
				DRAWN BY '03/12/11		M.NINOMIYA		CHK'D BY '03/12/11	
				APP'D BY '03/12/11		M.SASAO		尺度 SCALE	
				DRAWN BY '03/12/11		M.NINOMIYA		CHK'D BY '03/12/11	
				APP'D BY '03/12/11		M.SASAO		尺度 SCALE	
				DRAWN BY '03/12/11		M.NINOMIYA		CHK'D BY '03/12/11	
				APP'D BY '03/12/11		M.SASAO		尺度 SCALE	
				DRAWN BY '03/12/11		M.NINOMIYA		CHK'D BY '03/12/11	
				APP'D BY '03/12/11		M.SASAO		尺度 SCALE	
				DRAWN BY '03/12/11		M.NINOMIYA		CHK'D BY '03/12/11	
				APP'D BY '03/12/11		M.SASAO		尺度 SCALE	
				DRAWN BY '03/12/11		M.NINOMIYA		CHK'D BY '03/12/11	
				APP'D BY '03/12/11		M.SASAO		尺度 SCALE	
				DRAWN BY '03/12/11		M.NINOMIYA		CHK'D BY '03/12/11	
				APP'D BY '03/12/11		M.SASAO		尺度 SCALE	
				DRAWN BY '03/12/11		M.NINOMIYA		CHK'D BY '03/12/11	
				APP'D BY '03/12/11		M.SASAO		尺度 SCALE	
				DRAWN BY '03/12/11		M.NINOMIYA		CHK'D BY '03/12/11	
				APP'D BY '03/12/11		M.SASAO		尺度 SCALE	
				DRAWN BY '03/12/11		M.NINOMIYA		CHK'D BY '03/12/11	
				APP'D BY '03/12/11		M.SASAO		尺度 SCALE	
				DRAWN BY '03/12/11		M.NINOMIYA		CHK'D BY '03/12/11	
				APP'D BY '03/12/11		M.SASAO		尺度 SCALE	
				DRAWN BY '03/12/11		M.NINOMIYA		CHK'D BY '03/12/11	
				APP'D BY '03/12/11		M.SASAO		尺度 SCALE	
				DRAWN BY '03/12/11		M.NINOMIYA		CHK'D BY '03/12/11	
				APP'D BY '03/12/11		M.SASAO		尺度 SCALE	
				DRAWN BY '03/12/11		M.NINOMIYA		CHK'D BY '03/12/11	
				APP'D BY '03/12/11		M.SASAO		尺度 SCALE	
				DRAWN BY '03/12/11		M.NINOMIYA		CHK'D BY '03/12/11	
				APP'D BY '03/12/11		M.SASAO		尺度 SCALE	
				DRAWN BY '03/12/11		M.NINOMIYA		CHK'D BY '03/12/11	
				APP'D BY '03/12/11		M.SASAO		尺度 SCALE	
				DRAWN BY '03/12/11		M.NINOMIYA		CHK'D BY '03/12/11	
				APP'D BY '03/12/11		M.SASAO		尺度 SCALE	
				DRAWN BY '03/12/11		M.NINOMIYA		CHK'D BY '03/12/11	
				APP'D BY '03/12/11		M.SASAO		尺度 SCALE	
				DRAWN BY '03/12/11		M.NINOMIYA		CHK'D BY '03/12/11	
				APP'D BY '03/12/11		M.SASAO		尺度 SCALE	
				DRAWN BY '03/12/11		M.NINOMIYA		CHK'D BY '03/12/11	
				APP'D BY '03/12/11		M.SASAO		尺度 SCALE	
				DRAWN BY '03/12/11		M.NINOMIYA		CHK'D BY '03/12/11	
				APP'D BY '03/12/11		M.SASAO		尺度 SCALE	
				DRAWN BY '03/12/11		M.NINOMIYA		CHK'D BY '03/12/11	
				APP'D BY '03/12/11		M.SASAO		尺度 SCALE	
				DRAWN BY '03/12/11		M.NINOMIYA		CHK'D BY '03/12/11	
				APP'D BY '03/12/11		M.SASAO		尺度 SCALE	
				DRAWN BY '03/12/11		M.NINOMIYA		CHK'D BY '03/12/11	
				APP'D BY '03/12/11		M.SASAO		尺度 SCALE	
				DRAWN BY '03/12/11		M.NINOMIYA		CHK'D BY '03/12/11	
				APP'D BY '03/12/11		M.SASAO		尺度 SCALE	
				DRAWN BY '03/12/11		M.NINOMIYA		CHK'D BY '03/12/11	
				APP'D BY '03/12/11		M.SASAO		尺度 SCALE	
				DRAWN BY '03/12/11		M.NINOMIYA		CHK'D BY '03/12/11	
				APP'D BY '03/12/11		M.SASAO		尺度 SCALE	
				DRAWN BY '03/12/11		M.NINOMIYA		CHK'D BY '03/12/11	
				APP'D BY '03/12/11		M.SASAO		尺度 SCALE	
				DRAWN BY '03/12/11		M.NINOMIYA			

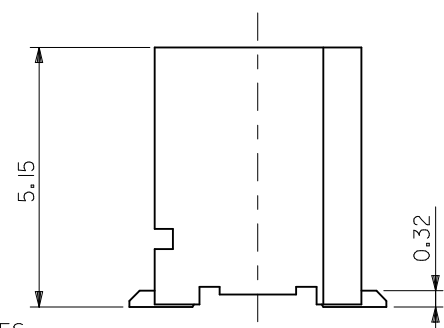
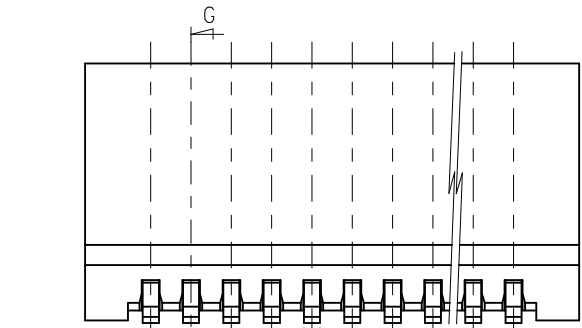
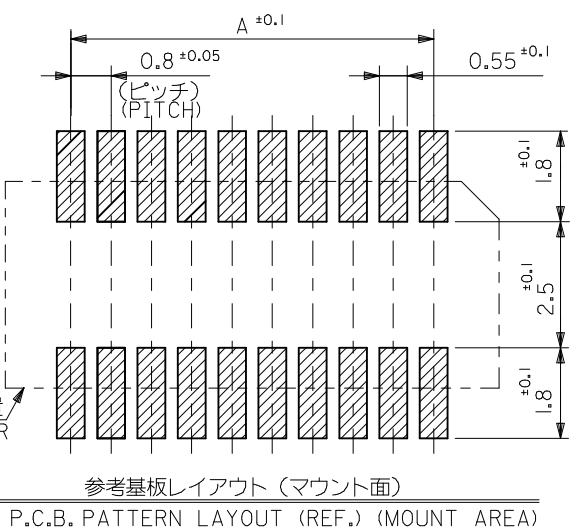
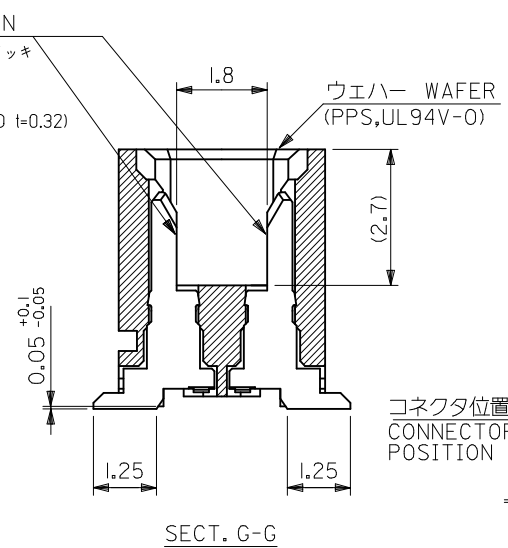
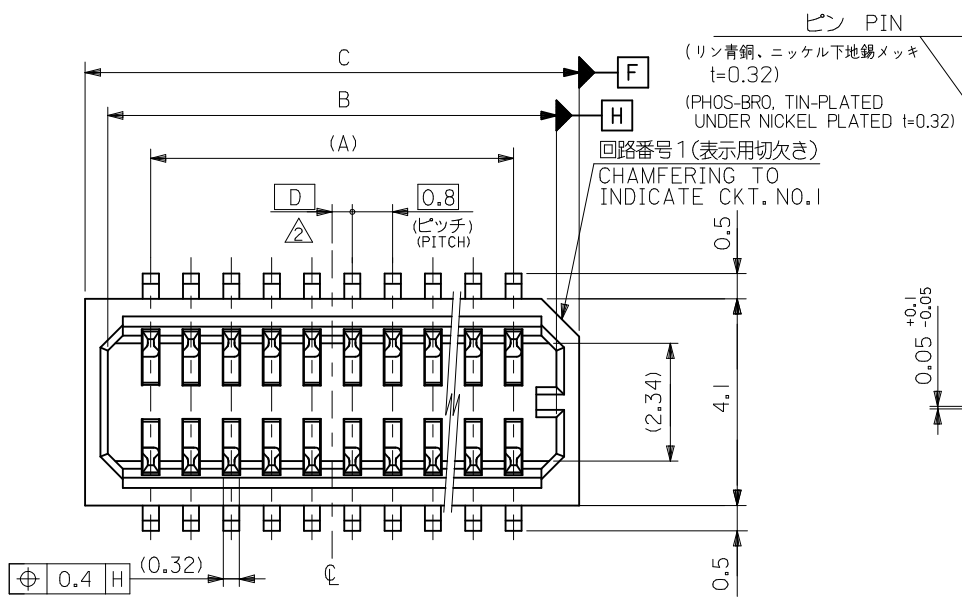


32	33.5	18.9	17.1	53364-4271	42
		18.1	16.3	53364-4071	40
24	25.5	16.5	14.7	53364-3671	36
		14.1	12.3	53364-3071	30
		13.3	11.5	53364-2871	28
		10.1	8.3	53364-2071	20
キャリアテープ幅 CARRIER TAPE WIDTH	C	(B)	(A)	MATERIAL NO.	極数 CIRCUIT

材料 MATERIAL	SHEET 1 OF 2 参照 REFER TO SHEET 1 OF 2		molex MOLEX-JAPAN CO.,LTD. 日本モレックス株式会社	
仕上げ FINISH	—#—		REVISE ONLY ON CAD SYSTEM	
適用電線範囲 WIRE RANGE	—#—		TITLE 名称	
被覆外径 INS. RANGE	—#—		0.8 BtB Conn Wafer Assy ST SMT Without Boss Embstp Pkg -LEAD FREE-	
DRAWN BY '03/12/11 M.NINOMIYA	CHK'D BY '03/12/11 K.TOJO	DR. '03/12/11 M.SASAO	尺度 SCALE	—#—
記号 LTR	変更内容 REVISION RECORD	DR. CHK.	日付 DATE	REV
① 新規作成 (J2004-1478) RELEASED	MN KT			0
一般公差 GENERAL TOLERANCES	DWG. NO. (SHEET 2 OF 2) REV SD-53364-**-71 0			

角度 ANGLE	±30°
30以上 OVER	±0.3
10以上 30未満 OVER 30 UNDER	±0.25
未満 UNDER	±0.2

10 9 8 7 6 5 4 3 2 1

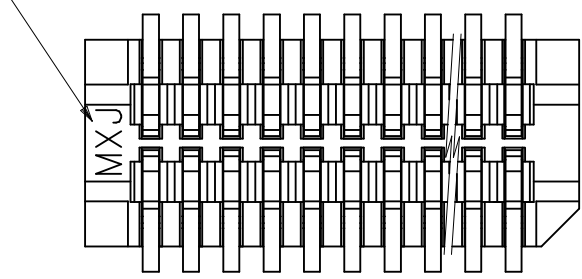


注記 NOTES

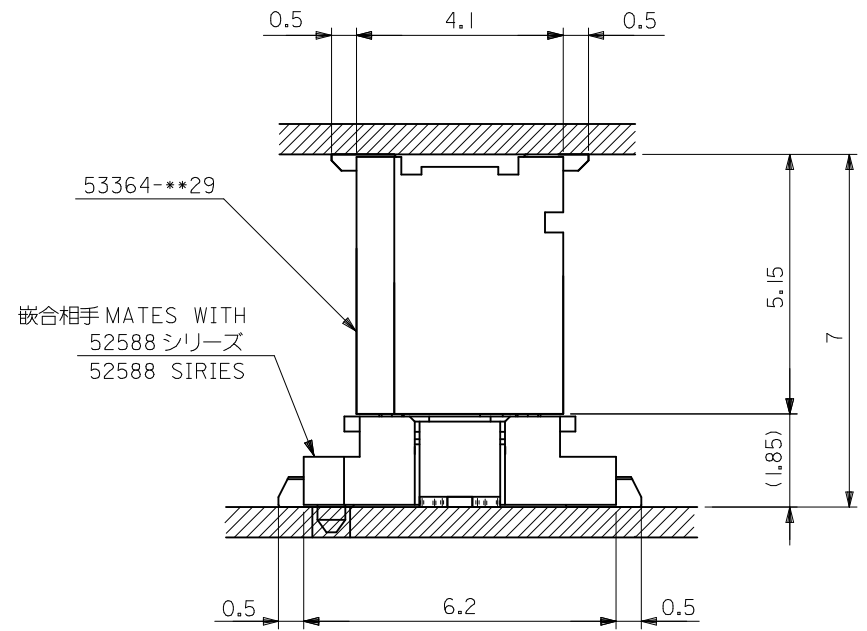
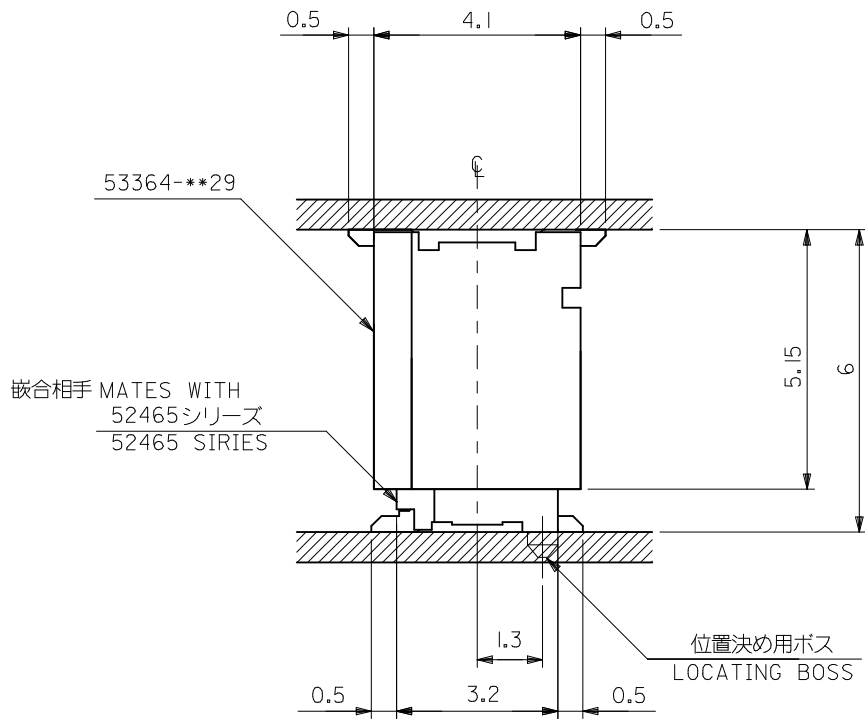
1. 嵌合相手 : 52465, 52588 シリーズ  
MATES WITH : 52465, 52588 SERIES
2. ウェハーの  $\phi$  から隣接するピンの  $\phi$  迄の位置を示す。  
SHOW POSITION FROM  $\phi$  OF WAFER TO  $\phi$  OF ADJACENT PINS.
3. 本製品は 53364-\*\*-27 の鉛フリー品である。  
THIS PRODUCT IS LEAD FREE OF 53364-\*\*-27.

0.4	17.8	16.9	15.2	53364-4029	40
0.4	16.2	15.3	13.6	53364-3629	36
0.8	13.8	12.9	11.2	53364-3029	30
0.4	13.0	12.1	10.4	53364-2829	28
0.4	9.8	8.9	7.2	53364-2029	20
0.8	9.0	8.1	6.4	53364-1829	18
0.4	6.6	5.7	4.0	53364-1229	12
0.8	5.8	4.9	3.2	53364-1029	10
D	C	B	A	MATERIAL. NO.	極数 CKT.

トレードマーク TRADE MARK



REVISED EC NO: J2009-1121 DRWN: MAKURAA 2008/12/15 CHKD: T. HARUYAMA 2008/12/15 APPR: NUKITA 2009/01/13	DESCRIPTION	GENERAL TOLERANCES (UNLESS SPECIFIED)		DIMENSION STYLE MM ONLY		SCALE ---		DESIGN UNITS METRIC		THIRD ANGLE PROJECTION		
		10 UNDER	±0.2	DRAWN BY M. NINOMIYA	DATE '03/12/11	TITLE 0.8 BOARD TO BOARD CONN. WAFER ASSY ST. SMT -LEAD FREE-						
		10 OVER 30 UNDER	±0.25	CHECKED BY K. TOJO	DATE '03/12/11	MOLEX INCORPORATED						
		30 OVER	±0.3	APPROVED BY M. SASAO	DATE '03/12/11							
ANGULAR	±3 °	DRAFT WHERE APPLICABLE MUST REMAIN WITHIN DIMENSIONS		MATERIAL NO. SEE TABLE								
SIZE A3	THIS DRAWING CONTAINS INFORMATION THAT IS PROPRIETARY TO MOLEX INCORPORATED AND SHOULD NOT BE USED WITHOUT WRITTEN PERMISSION											



嵌合状態図 (参考)  
MATED DRAWING (REF.)

REVISED EC NO: J2009-1121 DRWN: KAKURAA 2008/12/15 CHKD: T. HARUYAMA 2008/12/15 APPR: NUKITA 2009/01/13	GENERAL TOLERANCES (UNLESS SPECIFIED)		DIMENSION STYLE MM ONLY	SCALE ---	DESIGN UNITS METRIC	THIRD ANGLE PROJECTION
	10 UNDER	± ---	DRAWN BY M. NINOMIYA	DATE '03/12/11	TITLE 0.8 BOARD TO BOARD CONN. WAFER ASSY ST. SMT -LEAD FREE-	
	10 OVER 30 UNDER	± ---	CHECKED BY K. TOJO	DATE '03/12/11		
	30 OVER	± ---	APPROVED BY M. SASAO	DATE '03/12/11	MOLEX INCORPORATED	
	ANGULAR	± --- °	MATERIAL NO. SEE SHEET 1	DOCUMENT NO. SD-53364-003		
	DRAFT WHERE APPLICABLE MUST REMAIN WITHIN DIMENSIONS	SIZE A3	THIS DRAWING CONTAINS INFORMATION THAT IS PROPRIETARY TO MOLEX INCORPORATED AND SHOULD NOT BE USED WITHOUT WRITTEN PERMISSION			