

MRF1000MB



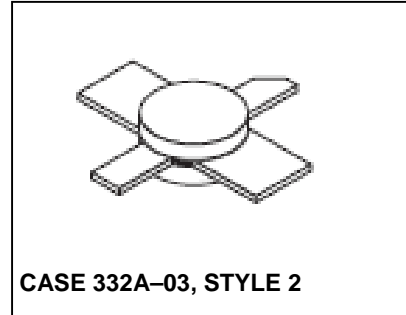
Class A, Class AB Microwave Power Silicon NPN Transistor
0.7 W, 960–1215 MHz, 18V

M/A-COM Products
 Released - Rev. 053007

Features

- Guaranteed performance @ 1090 MHz, 18 Vdc — Class A
- Output power: 0.2W
- Minimum gain: 10dB
- 100% tested for load mismatch at all phase angles with 10:1 VSWR
- Industry standard package
- Nitride passivated
- Gold metallized, emitter ballasted for long life and resistance to metal migration
- Internal input matching for broadband operation

Product Image



Description and Applications

Designed for Class A and AB common emitter amplifier applications in the low-power stages of IFF, DME, TACAN, radar transmitters, and CW systems.

MAXIMUM RATINGS

Rating	Symbol	Value	Unit
Collector–Emitter Voltage	V_{CEO}	20	Vdc
Collector–Base Voltage	V_{CBO}	50	Vdc
Emitter–Base Voltage	V_{EBO}	3.5	Vdc
Collector Current — Continuous	I_C	200	mAdc
Total Device Dissipation @ $T_C = 25^\circ\text{C}$ (1) Derate above 25°C	P_D	7.0 40	Watts mW/ $^\circ\text{C}$

THERMAL CHARACTERISTICS

Characteristic	Symbol	Max	Unit
Thermal Resistance, Junction to Case (2)	$R_{\theta JC}$	25	$^\circ\text{C/W}$

ELECTRICAL CHARACTERISTICS ($T_C = 25^\circ\text{C}$ unless otherwise noted.)

Characteristic	Symbol	Min	Typ	Max	Unit
----------------	--------	-----	-----	-----	------

OFF CHARACTERISTICS

Collector–Emitter Breakdown Voltage ($I_C = 5.0$ mAdc, $I_B = 0$)	$V_{(BR)CEO}$	20	—	—	Vdc
Collector–Emitter Breakdown Voltage ($I_C = 5.0$ mAdc, $V_{BE} = 0$)	$V_{(BR)CES}$	50	—	—	Vdc
Collector–Base Breakdown Voltage ($I_C = 5.0$ mAdc, $I_E = 0$)	$V_{(BR)CBO}$	50	—	—	Vdc
Emitter–Base Breakdown Voltage ($I_E = 1.0$ mAdc, $I_C = 0$)	$V_{(BR)EBO}$	3.5	—	—	Vdc
Collector Cutoff Current ($V_{CB} = 20$ Vdc, $I_E = 0$)	I_{CBO}	—	—	0.5	mAdc

ON CHARACTERISTICS

DC Current Gain ($I_C = 100$ mAdc, $V_{CE} = 5.0$ Vdc)	h_{FE}	10	—	100	—
--	----------	----	---	-----	---

1. These devices are designed for RF operation. The total device dissipation rating applies only when the device is operated as RF amplifiers.
2. Thermal Resistance is determined under specified RF operating conditions by infrared measurement techniques.

Class A, Class AB Microwave Power Silicon NPN Transistor 0.7 W, 960–1215 MHz, 18V

M/A-COM Products
Released - Rev. 053007

ELECTRICAL CHARACTERISTICS — continued ($T_C = 25^\circ\text{C}$ unless otherwise noted.)

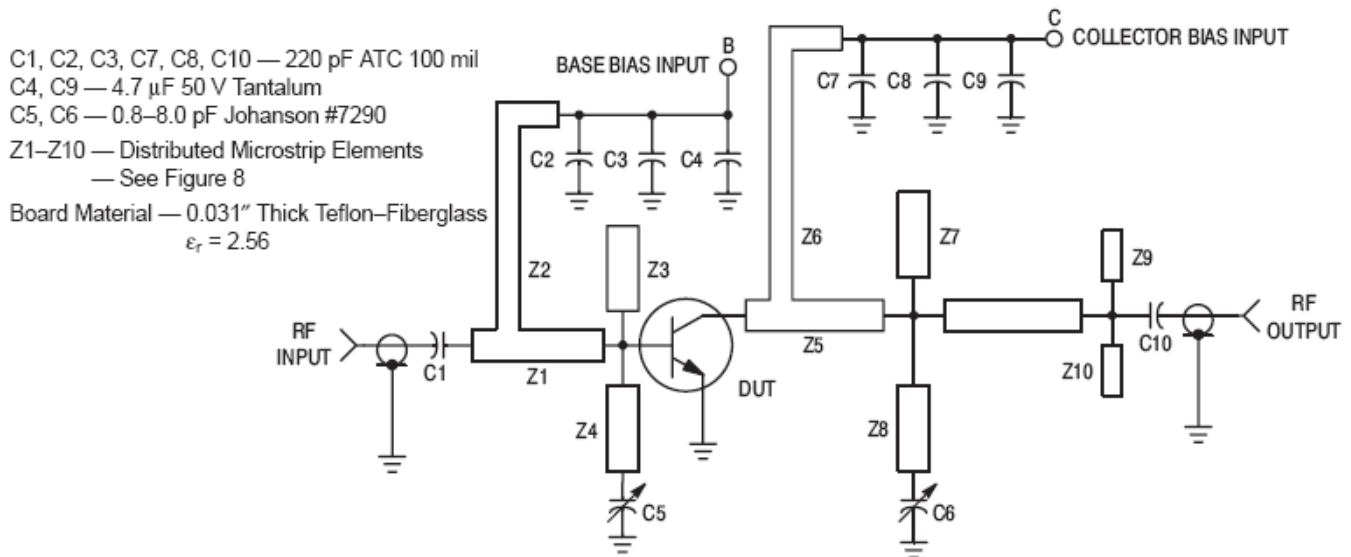
Characteristic	Symbol	Min	Typ	Max	Unit
----------------	--------	-----	-----	-----	------

DYNAMIC CHARACTERISTICS

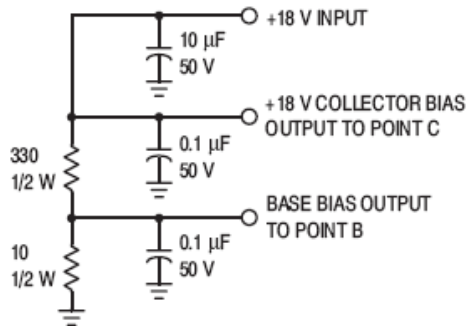
Output Capacitance ($V_{CB} = 28\text{ Vdc}$, $I_E = 0$, $f = 1.0\text{ MHz}$)	C_{ob}	—	2.0	5.0	pF
---	----------	---	-----	-----	----

FUNCTIONAL TESTS

Common-Emitter Power Gain — Class A ($V_{CE} = 18\text{ Vdc}$, $I_C = 100\text{ mAdc}$, $f = 1090\text{ MHz}$, $P_{out} = 200\text{ mW}$)	G_{PE}	10	12	—	dB
Common-Emitter Power Gain — Class AB ($V_{CE} = 18\text{ Vdc}$, $I_{CQ} = 10\text{ mAdc}$, $f = 1090\text{ MHz}$, $P_{out} = 0.7\text{ W}$)	G_{PE}	—	10.7	—	dB
Load Mismatch — Class A ($V_{CE} = 18\text{ Vdc}$, $I_C = 100\text{ mAdc}$, $f = 1090\text{ MHz}$, $P_{out} = 200\text{ mW}$, VSWR = 10:1 All Phase Angles)	ψ	No Degradation in Power Output			



Class AB Bias Control Circuit
18 V Output I_{CQ} 10 mA Nominal



Class A Constant Current Bias Control Circuit
 $I_C = 100\text{ mA}$, $V_{CE} = 18\text{ V}$

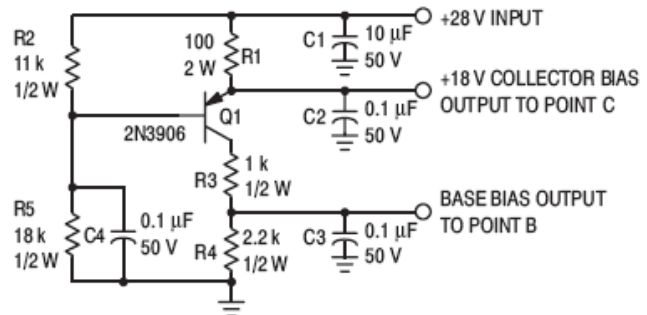


Figure 1. 1090 MHz Test Circuit

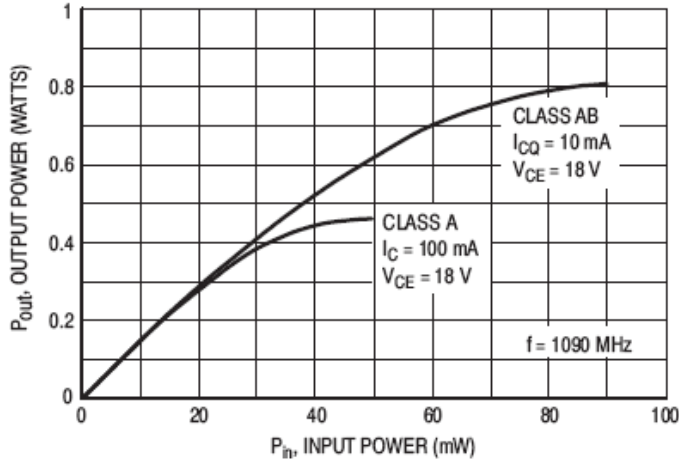


Figure 2. Output Power versus Input Power

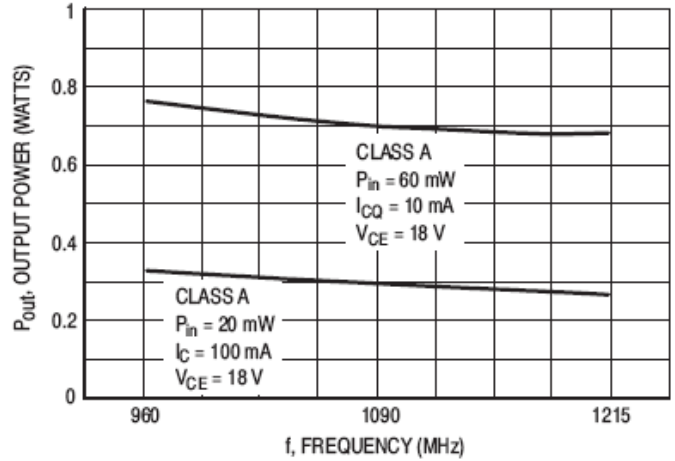


Figure 3. Output Power versus Frequency

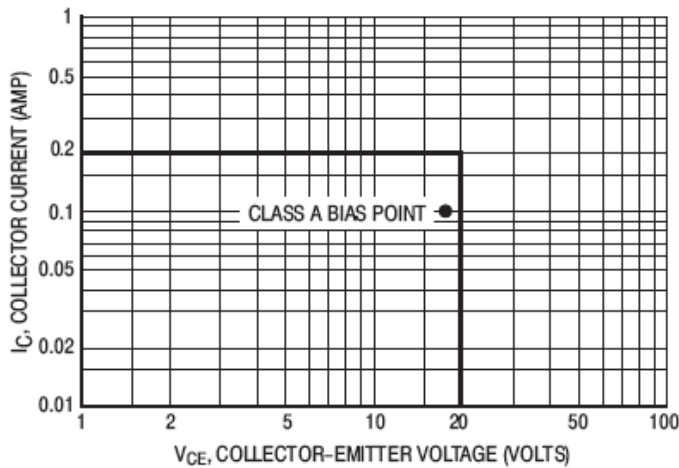


Figure 4. DC Safe Operating Area

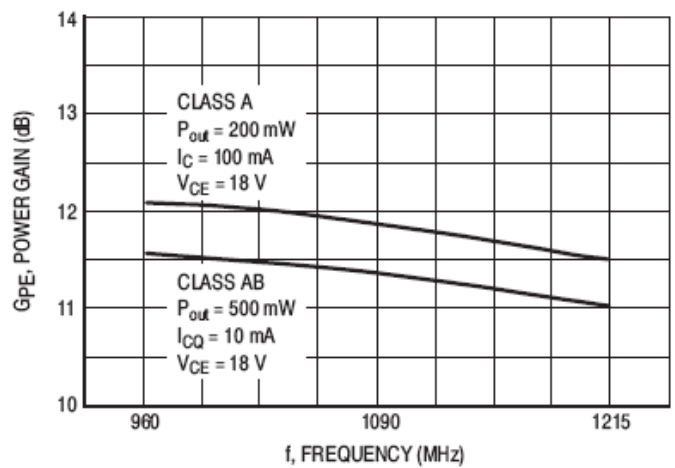
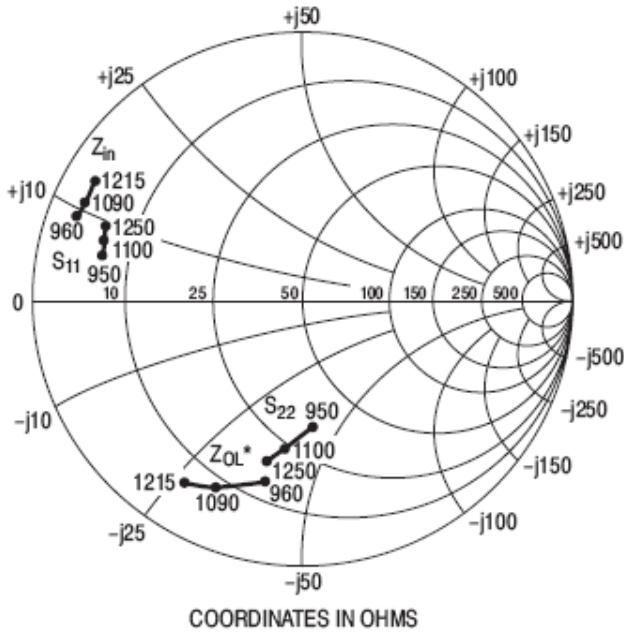


Figure 5. Power Gain versus Frequency

Class A, Class AB Microwave Power Silicon NPN Transistor
0.7 W, 960–1215 MHz, 18V

M/A-COM Products
 Released - Rev. 053007



SERIES EQUIVALENT IMPEDANCES

$P_{out} = 0.5 \text{ W}$, $V_{CE} = 18 \text{ Vdc}$,
 $I_{CQ} = 10 \text{ mAdc}$, Class AB

f MHz	Z_{in} Ohms	Z_{OL}^* Ohms
960	$3.0 + j9.0$	$16 - j40$
1090	$3.2 + j10$	$8.5 - j31$
1215	$2.8 + j12$	$7.0 - j26$

Z_{OL}^* = Conjugate of the optimum load impedance into which the device output operates at a given output power, voltage, and frequency.

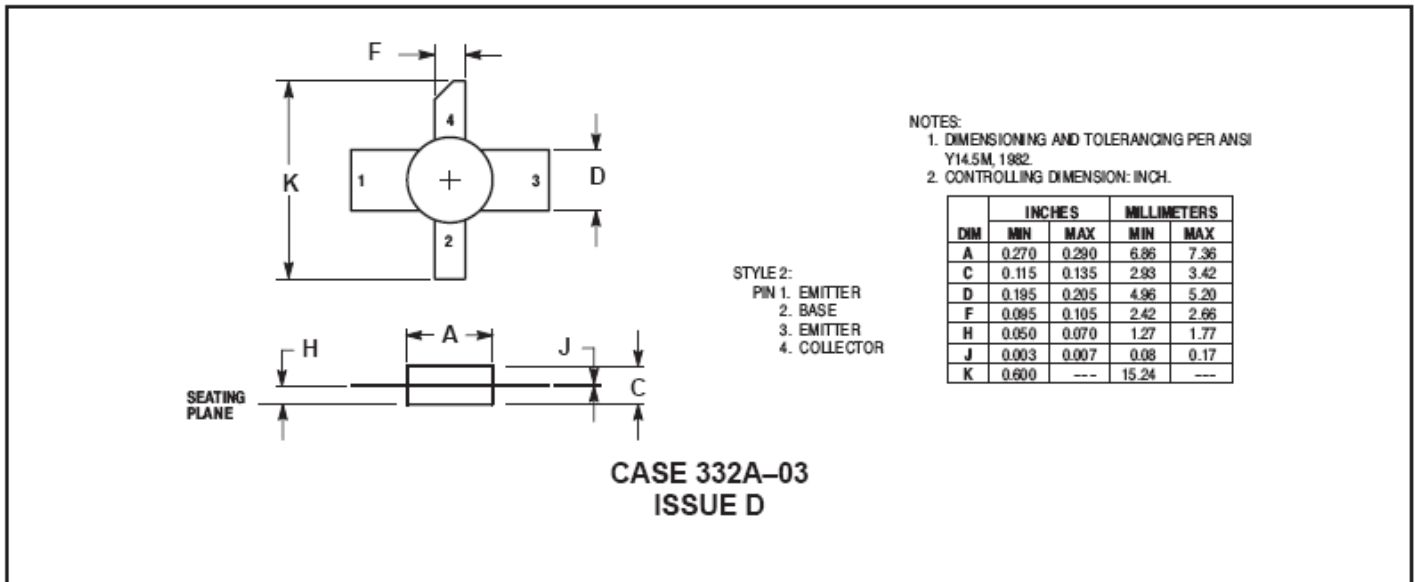
S-PARAMETERS — $V_{CE} = 18 \text{ Vdc}$, $I_C = 100 \text{ mAdc}$, Class A

f (MHz)	S_{11}		S_{21}		S_{12}		S_{22}	
	$ S_{11} $	$\angle \phi$	$ S_{21} $	$\angle \phi$	$ S_{12} $	$\angle \phi$	$ S_{22} $	$\angle \phi$
950	0.77	166	2.42	40	0.016	42	0.48	-87
1000	0.78	165	2.36	38	0.016	48	0.50	-90
1050	0.77	163	2.31	33	0.016	46	0.51	-94
1100	0.77	162	2.31	28	0.016	46	0.54	-97
1150	0.78	161	2.20	23	0.015	46	0.57	-100
1200	0.78	159	2.20	19	0.016	47	0.59	-103
1250	0.78	158	2.12	12	0.016	42	0.61	-106

Figure 6. Common-Emitter S-Parameters and Series Equivalent Input/Output Impedances

Replaces MRF1000MA/D

PACKAGE DIMENSIONS



ADVANCED: Data Sheets contain information regarding a product M/A-COM Technology Solutions is considering for development. Performance is based on target specifications, simulated results, and/or prototype measurements. Commitment to develop is not guaranteed.
PRELIMINARY: Data Sheets contain information regarding a product M/A-COM Technology Solutions has under development. Performance is based on engineering tests. Specifications are typical. Mechanical outline has been fixed. Engineering samples and/or test data may be available. Commitment to produce in volume is not guaranteed.

- **North America** Tel: 800.366.2266 / Fax: 978.366.2266
- **Europe** Tel: 44.1908.574.200 / Fax: 44.1908.574.300
- **Asia/Pacific** Tel: 81.44.844.8296 / Fax: 81.44.844.8298

Visit www.macomtech.com for additional data sheets and product information.

M/A-COM Technology Solutions Inc. and its affiliates reserve the right to make changes to the product(s) or information contained herein without notice.